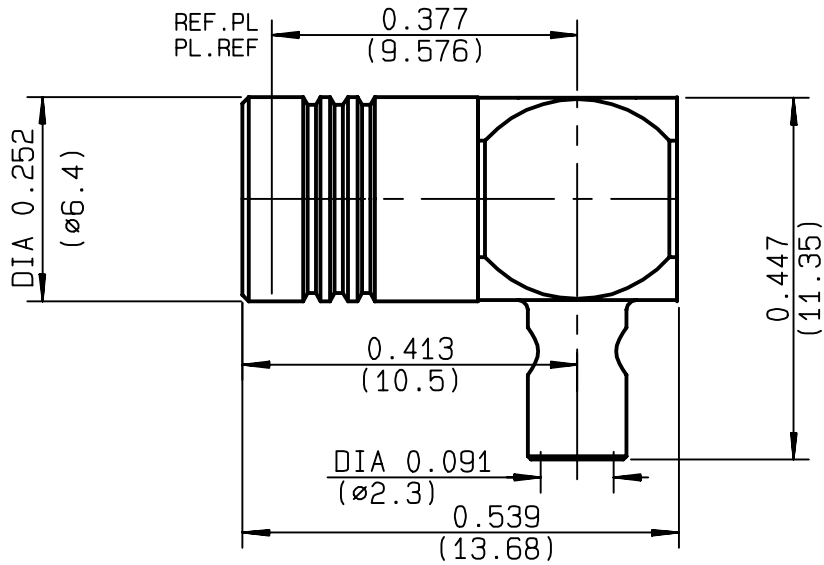


**RIGHT ANGLE PLUG SOLDER TYPE
CABLE .085**

R114.152.000
SERIES SMB



| | |
|---------------------------------|----------------------------------|
| NOMINAL IMPEDANCE | 50 Ω |
| FREQUENCY RANGE | 0-4 GHz |
| TEMPERATURE RATING | -65/+165 °C |
| V.S.W.R | ** + x F(GHz)Maxi |
| RF INSERTION LOSS | 0.2 √F(GHz) dB Maxi |
| VOLTAGE RATING | 335 Veff Maxi |
| DIELECTRIC WITHSTANDING VOLTAGE | 1000 Veff Mini |
| INSULATION RESISTANCE | 1000 MΩMini |
| HERMETIC SEAL | NA Atm.cm ³ /s |
| LEAKAGE (pressurized only) | NA |
| MECHANICAL DURABILITY | 500 Cycles |
| WEIGHT | 2.92 gr |
| SPECIFICATION | |

| |
|---|
| CABLES : KS 1 |
| RG 405 |
| OTHERS CHARACTERISTICS |
| ** ROS(VSWR)1.06 de 900MHz a 1800MHz |
| CABLE RETENTION 200 N Mini |
| CENTER CONTACT RETENTION |
| Axial force - mating end 10 N Mini |
| Axial force - opposite end 10 N Mini |
| Torque NA cm.N Mini |
| RECOMMENDED TORQUES |
| Mating NA cm.N |
| Panel nut NA cm.N |
| Clamp nut NA cm.N |

| CONNECTOR PARTS | MATERIALS | FINISH | (all values are given) in micrometers |
|-----------------|------------------|------------------------|---|
| BODY | BRASS | GOLD 0.2 OVER NICKEL 2 | |
| OUTER CONTACT | BERYLLIUM COPPER | GOLD 0.5 OVER NICKEL 2 | |
| CENTER CONTACT | BERYLLIUM COPPER | GOLD 1.3 OVER NICKEL 2 | |
| INSULATOR | PTFE | - | |
| GASKET | | - | |
| OTHERS PIECES | BRASS | GOLD 0.2 OVER NICKEL 2 | |

| | | |
|----------------|-------------------|--------------------|
| ISSUE | CREATION DATE | FILE PART-NUMBER |
| 9943B00 | 27/01/1997 | 93-0105-013 |



RADIALL®

PERRIN

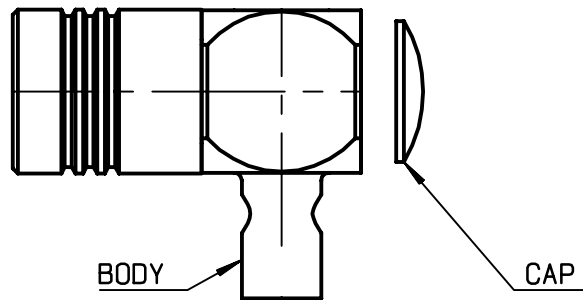
The information given here is subject to change without notice.
Design changes may be in order to improve the product .

Connect to the future



R114.152.000

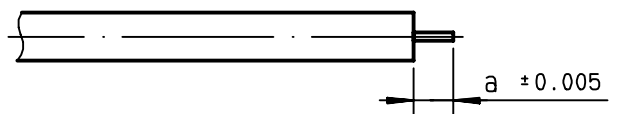
ISSUE **9943B00** SERIES **SMB**



We recommend a thermal preconditioning cable .

①

Strip the cable .
Stripping tool R282 051 .
Positioner R282 063 .

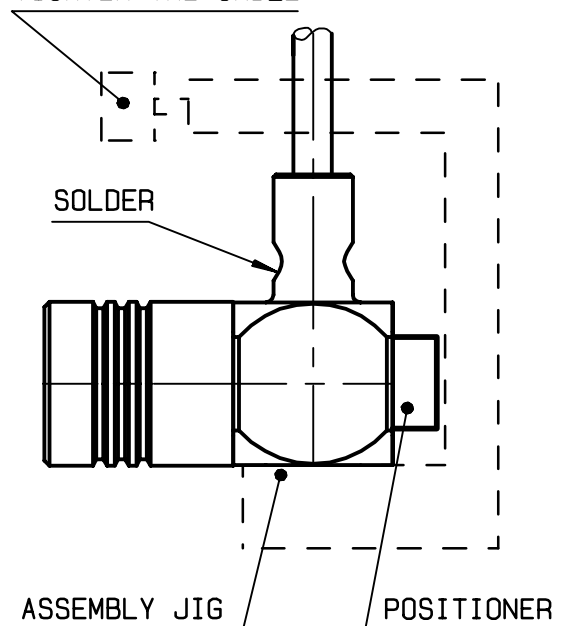


| Stripping | a | b | c | d | e |
|-----------|---------|---|---|---|---|
| inch | 0.091 0 | 0 | 0 | 0 | 0 |
| mm | 2.3 | | | | |

②

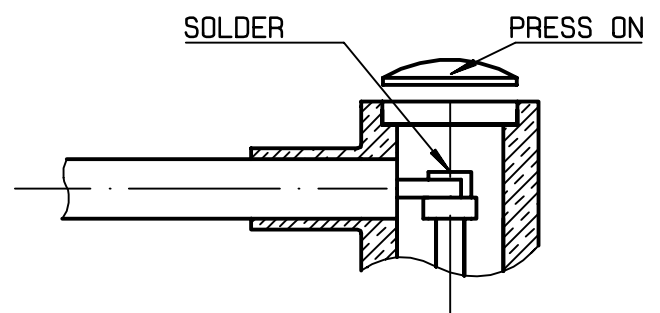
Mount the cable into the body .
Mount the positioner : R282 744 210
Place the sub-assembly into the
assembly jig :R282 740 (or equivalent).
Solder body onto the cable .
Let the assembly cool down before
removing it from the jig .

TIGHTEN THE CABLE



③

Solder the center contact .
Press on the cap .



X-ON Electronics

Largest Supplier of Electrical and Electronic Components

Click to view similar products for [RF Connectors / Coaxial Connectors](#) category:

Click to view products by [Radiall](#) manufacturer:

Other Similar products are found below :

[8915-1511-000](#) [89674-0827](#) [6001-7071-019](#) [6002-7051-003](#) [6002-7551-202](#) [6059674-1](#) [619550-1](#) [630059-000](#) [M39030/3-01N](#) [6500-7071-046](#) [6769](#) [CX050L2AQ](#) [7002-1541-010](#) [7002-1542-011](#) [7004-1512-000](#) [7009-1511-004](#) [7010-1511-000](#) [7029-1511-060](#) [7101-1541-010](#) [7101-1571-002](#) [7145-1521-002](#) [7203-1571-003](#) [7209-1511-011](#) [7210-1511-015](#) [7210-1511-019](#) [73137-5015](#) [73216-2241](#) [73404-2300](#) [7405-1521-005](#) [7405-1521-802](#) [8527](#) [8547](#) [FS11V](#) [877931](#) [8808-1511-001](#) [9049-9513-000](#) [9074-9513-000](#) [9101-9573-002](#) [910A205F](#) [9130-9573-002](#) [PL11SC-026](#) [PL375-33](#) [PL40-5](#) [PL74C-221](#) [PL75MC-217](#) [PL803-7](#) [980-8666-005](#) [1200690078](#) [1-201144-1](#) [R107003010W](#)