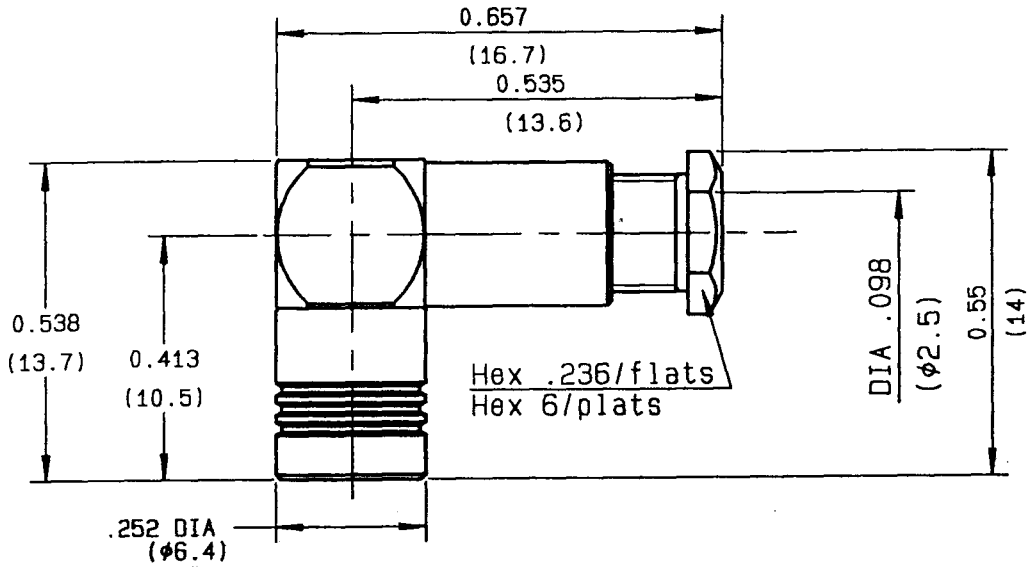



**RIGHT ANGLE PLUG CLAMP TYPE FOR  
CABLE 2.2/50 DOUBLE BRAIDED**

**R114.163.420**  
SERIES **SMB**



NOMINAL IMPEDANCE	50 $\Omega$	CABLES : TS 2619	
FREQUENCY RANGE	0-4 GHz		
TEMPERATURE RATING	-65/+165 °C		
V.S.W.R	1.45 + .06 x F(GHz)Maxi		
RF INSERTION LOSS	0.6 $\sqrt{F}$ (GHz) dB Maxi		
VOLTAGE RATING	335 V <sub>eff</sub> Maxi		
DIELECTRIC WITHSTANDING VOLTAGE	1000 V <sub>eff</sub> Mini		
INSULATION RESISTANCE	1000 M $\Omega$ Mini	OTHERS CHARACTERISTICS	
HERMETIC SEAL	NA Atm.cm <sup>3</sup> /s	CABLE RETENTION	TBD N Mini
LEAKAGE (pressurized only)	NA MPa	CENTER CONTACT RETENTION	
MECHANICAL DURABILITY	Cycles	Axial force - mating end	10 N Mini
WEIGHT	gr	Axial force - opposite end	10 N Mini
SPECIFICATION		Torque	NA cm.N Mini
		RECOMMENDED TORQUES	
		Mating	NA cm.N
		Panel nut	NA cm.N
		Clamp nut	40 cm.N

CONNECTOR PARTS	MATERIALS	FINISH	(all values are given ) in micrometers
BODY	BRASS	GOLD 0.2 OVER NICKEL 2	
OUTER CONTACT	BERYLLIUM COPPER	GOLD 0.5 OVER NICKEL 2	
CENTER CONTACT	BERYLLIUM COPPER	GOLD 1.3 OVER NICKEL 2	
INSULATOR	PTFE	-	
GASKET		-	
OTHERS PIECES			

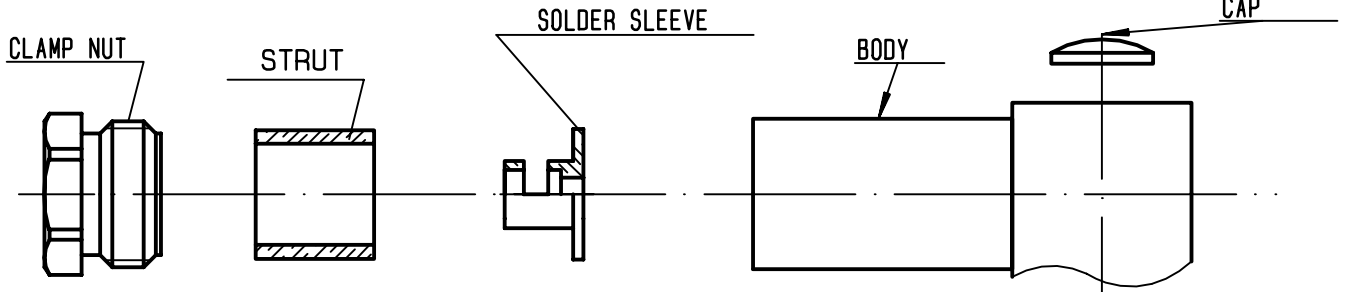
ISSUE	CREATION DATE	FILE PART-NUMBER	 <b>RADIALL®</b> COAXIAL CONNECTORS
9626C	27-MAY-93	91-0019-002	

The information given here is subject to change without notice.  
Design changes may be in order to improve the product.



**R114.163.420**

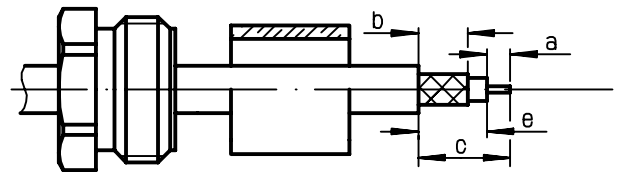
ISSUE 9850C00 SERIES SMB



**1**

Slide the clamp nut ,the strut onto the cable

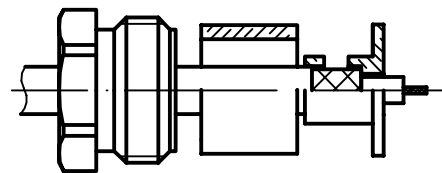
Strip the cable .  
Dip tinned centre conductor of cable .



Stripping	a	b	c	d	e
inch	0.059	0.118	0.307	0	0.248
mm	1.5	3	7.8		6.3

**2**

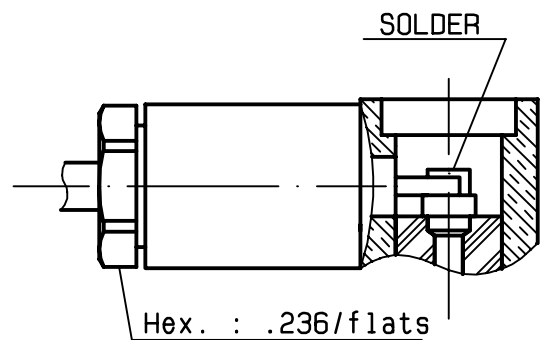
Solder the solder sleeve onto the braid .



**3**

Screw sub-assembly into the connector body .  
( recommended coupling torque 3.53 in.lb )  
Ref. wrench .236/flats : R282 318 000

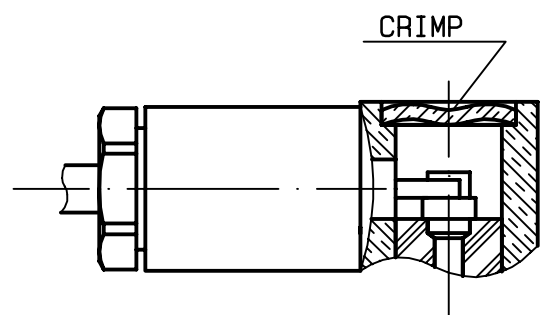
Solder center contact



**4**

Press cap flush or slightly below surface of body assembly .

-  
-  
-



## X-ON Electronics

Largest Supplier of Electrical and Electronic Components

*Click to view similar products for [RF Connectors / Coaxial Connectors](#) category:*

*Click to view products by [Radiall](#) manufacturer:*

Other Similar products are found below :

[8915-1511-000](#) [89674-0827](#) [6001-7071-019](#) [6002-7051-003](#) [6002-7551-202](#) [6059674-1](#) [619550-1](#) [630059-000](#) [M39030/3-01N](#) [6500-7071-046](#) [6769](#) [CX050L2AQ](#) [7002-1541-010](#) [7002-1542-011](#) [7004-1512-000](#) [7009-1511-004](#) [7010-1511-000](#) [7029-1511-060](#) [7101-1541-010](#) [7101-1571-002](#) [7145-1521-002](#) [7203-1571-003](#) [7209-1511-011](#) [7210-1511-015](#) [7210-1511-019](#) [73137-5015](#) [73216-2241](#) [73404-2300](#) [7405-1521-005](#) [7405-1521-802](#) [8527](#) [8547](#) [FS11V](#) [877931](#) [8808-1511-001](#) [9049-9513-000](#) [9074-9513-000](#) [9101-9573-002](#) [910A205F](#) [9130-9573-002](#) [PL11SC-026](#) [PL375-33](#) [PL40-5](#) [PL74C-221](#) [PL75MC-217](#) [PL803-7](#) [980-8666-005](#) [1200690078](#) [1-201144-1](#) [R107003010W](#)