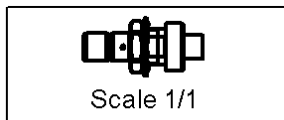
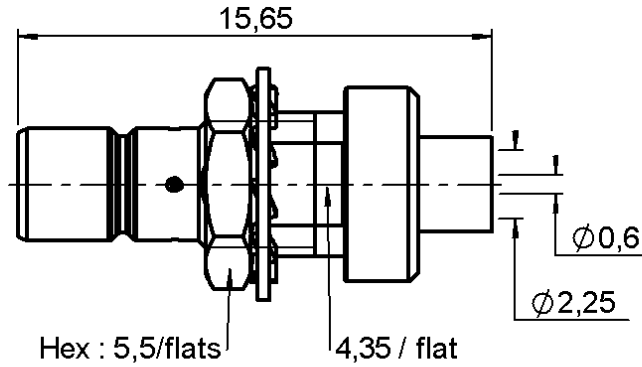


**STRAIGHT BULKHEAD JACK SOLDER TYPE**

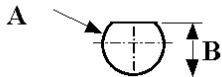
**R114.222.000**

**REAR MOUNT - CABLE .085**

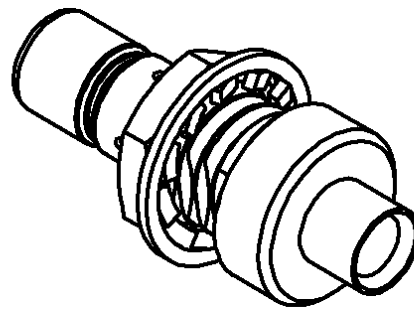
Series : SMB



**PANEL CUT OUT**



mm		
	Maxi	mini
A	5	4.9
B	4.55	4.45



All dimensions are in mm.

COMPONENTS	MATERIALS	PLATINGS (µm)
BODY	BRASS	GOLD 0.2 OVER NICKEL 2
CENTER CONTACT	BRASS	GOLD 1.3 OVER NICKEL 2
OUTER CONTACT	-	-
INSULATOR	PTFE	-
GASKET	-	-
OTHERS PARTS	BRASS	GOLD 0.2 OVER NICKEL 2
-	-	-
-	-	-

Issue : 0216 E

In the effort to improve our products, we reserve the right to make changes judged to be necessary.



**STRAIGHT BULKHEAD JACK SOLDER TYPE**

**R114.222.000**

**REAR MOUNT - CABLE .085**

Series : SMB

**PACKAGING**

Standard	Unit	Other
<b>100</b>	<b>'W' option</b>	<b>Contact us</b>

**SPECIFICATION**

**ELECTRICAL CHARACTERISTICS**

Impedance		<b>50</b> Ω
Frequency		<b>0-4</b> GHz
VSWR	<b>1.10 +</b>	<b>0.025</b> x F(GHz) Maxi
Insertion loss		<b>0.25</b> √F(GHz) dB Maxi
RF leakage	- (	<b>57</b> - F(GHz)) dB mini
Voltage rating		<b>335</b> Veff Maxi
Dielectric withstanding voltage		<b>750</b> Veff mini
Insulation resistance		<b>1000</b> MΩ mini

**CABLE ASSEMBLY**

Stripping	a	b	c	d	e	f
mm	5.00	3.00	0.00	0.00	0.00	0.00

Assembly instruction :

Recommended cable(s)  
RG 405  
KS 1

Cable retention

- pull off **155** N mini
- torque **NA** N.cm

**MECHANICAL CHARACTERISTICS**

Center contact retention		
Axial force – Mating end		<b>10</b> N mini
Axial force – Opposite end		<b>10</b> N mini
Torque		<b>NA</b> N.cm mini

**TOOLING**

Part Number	Description	Hexagon
.	.	.

Recommended torque

Mating	<b>NA</b> N.cm
Panel nut	<b>60</b> N.cm
Clamp nut	<b>NA</b> N.cm
A/F clamp nut	<b>0.000</b> mm

Mating life	<b>500</b> Cycles mini
Weight	<b>1.590</b> g

**OTHERS CHARACTERISTICS**

**ENVIRONMENTAL**

Operating temperature	<b>-65/+105</b> °C
Hermetic seal	<b>NA</b> Atm.cm3/s
Panel leakage	<b>NA</b>

Issue : 0216 E

In the effort to improve our products, we reserve the right to make changes judged to be necessary.



**STRAIGHT BULKHEAD JACK SOLDER TYPE**

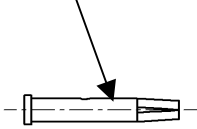
**R114.222.000**

**REAR MOUNT - CABLE .085**

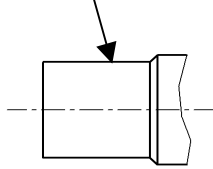
Series : SMB

**COMPONENTS**

CENTER CONTACT



BODY



**STRIPPING DIMENSIONS**



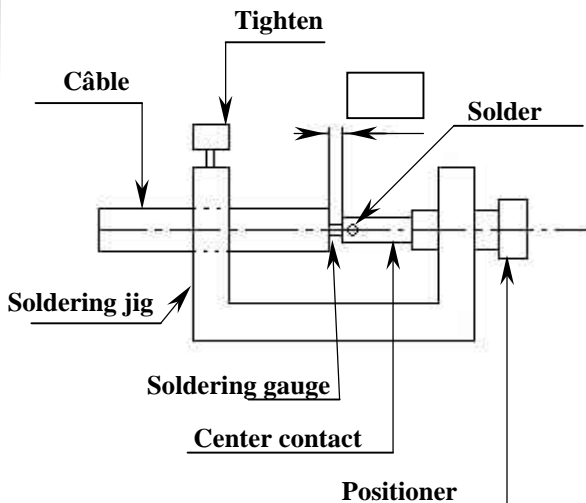
**1**

-Strip off the outer conductor and the dielectric



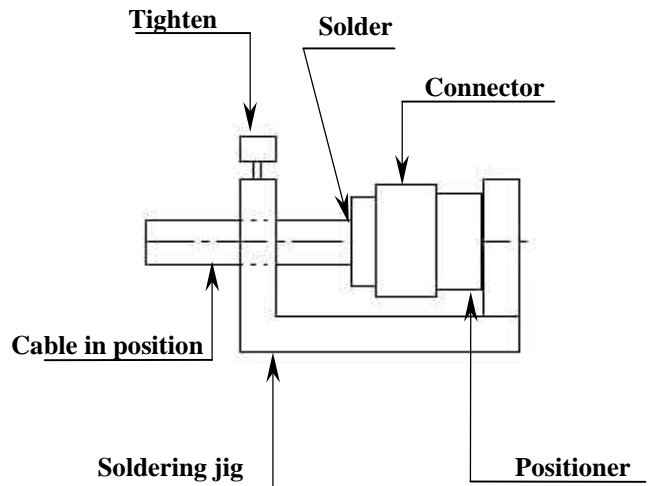
**2**

Screw the positioner onto the soldering jig.  
Slide center contact into positioner.  
Insert solder gauge between contact and cable .  
Tighten and solder the contact.



**3**

After cooling remove cable assembly from the jig.  
Slide body into positioner .  
Slide cable into the connector until it bottoms against the positioner .  
Tighten.  
Solder the body onto the cable.  
After cooling remove cable assembly from the jig.



Issue : 0216 E

In the effort to improve our products, we reserve the right to make changes judged to be necessary.



## X-ON Electronics

Largest Supplier of Electrical and Electronic Components

*Click to view similar products for [RF Connectors](#) / [Coaxial Connectors](#) category:*

*Click to view products by [Radiall](#) manufacturer:*

Other Similar products are found below :

[8915-1511-000](#) [89674-0827](#) [6001-7071-019](#) [6002-7051-003](#) [6002-7551-202](#) [6059674-1](#) [619550-1](#) [630059-000](#) [M39030/3-01N](#) [6500-7071-046](#) [6769](#) [CX050L2AQ](#) [7002-1541-010](#) [7002-1542-011](#) [7004-1512-000](#) [7009-1511-004](#) [7010-1511-000](#) [7029-1511-060](#) [7101-1541-010](#) [7101-1571-002](#) [7145-1521-002](#) [7203-1571-003](#) [7209-1511-011](#) [7210-1511-015](#) [7210-1511-019](#) [73137-5015](#) [73216-2241](#) [73404-2300](#) [7405-1521-005](#) [7405-1521-802](#) [8527](#) [8547](#) [FS11V](#) [877931](#) [8808-1511-001](#) [9074-9513-000](#) [9101-9573-002](#) [910A205F](#) [9130-9573-002](#) [PL11SC-026](#) [PL375-33](#) [PL40-5](#) [PL74C-221](#) [PL75MC-217](#) [PL803-7](#) [1200690078](#) [1-201144-1](#) [R107003010W](#) [R110A172100](#) [R112186000](#)