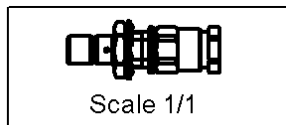
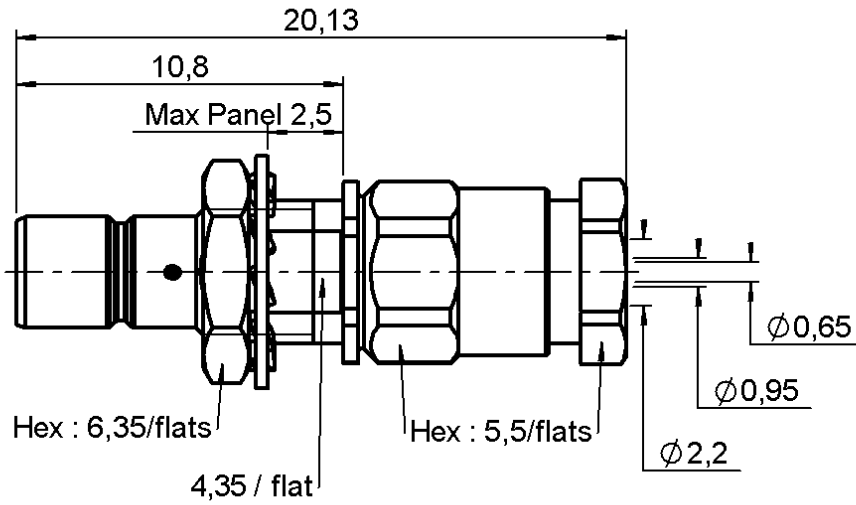


STRAIGHT BULKHEAD JACK CLAMP TYPE

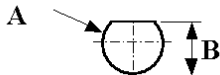
R114.303.133

REAR MOUNT - CABLE 2/50 S

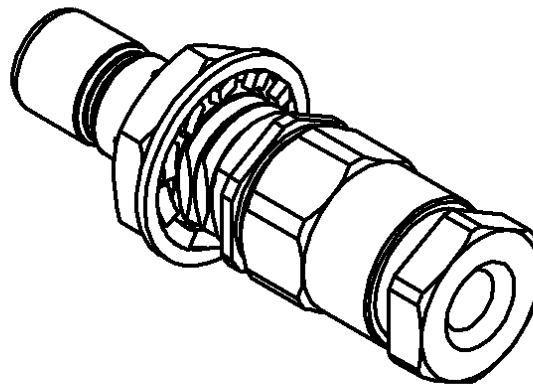
Series : SMB



PANEL CUT OUT



mm		
	Maxi	mini
A	5	4.9
B	4.55	4.45



All dimensions are in mm.

COMPONENTS	MATERIALS	PLATINGS (µm)
BODY	BRASS	GOLD 0.2 OVER NICKEL 2
CENTER CONTACT	BRASS	GOLD 1.3 OVER NICKEL 2
OUTER CONTACT	-	-
INSULATOR	PTFE	-
GASKET	-	-
OTHERS PARTS	BRASS	GOLD 0.2 OVER NICKEL 2
-	-	-
-	-	-

Issue : 0217 B

In the effort to improve our products, we reserve the right to make changes judged to be necessary.



STRAIGHT BULKHEAD JACK CLAMP TYPE

R114.303.133

REAR MOUNT - CABLE 2/50 S

Series : SMB

PACKAGING

Standard	Unit	Other
100	'W' option	Contact us

SPECIFICATION

ELECTRICAL CHARACTERISTICS

Impedance		50 Ω
Frequency		0-4 GHz
VSWR	1.30 +	0.040 x F(GHz) Maxi
Insertion loss		0.25 √F(GHz) dB Maxi
RF leakage	- (57 - F(GHz)) dB mini
Voltage rating		250 Veff Maxi
Dielectric withstanding voltage		750 Veff mini
Insulation resistance		1000 MΩ mini

CABLE ASSEMBLY

Stripping	a	b	c	d	e	f
mm	2.00	1.00	4.00	3.18	2.00	0.00

Assembly instruction :

Recommended cable(s)
 RG 178
 KX 21
 RG 196
 RG 178 LC

Cable retention

- pull off **58** N mini
 - torque **NA** N.cm

MECHANICAL CHARACTERISTICS

Center contact retention		
Axial force – Mating end		10 N mini
Axial force – Opposite end		10 N mini
Torque		NA N.cm mini

TOOLING

Part Number	Description	Hexagon
.	.	.
R282.317.010	TORQUEMETER WRENCH5.5 MM	5.5

Recommended torque

Mating	NA N.cm
Panel nut	60 N.cm
Clamp nut	63 N.cm
A/F clamp nut	5.500 mm

OTHERS CHARACTERISTICS

Mating life	500 Cycles mini
Weight	2.700 g

ENVIRONMENTAL

Operating temperature	-65/+165 °C
Hermetic seal	NA Atm.cm3/s
Panel leakage	NA

Issue : 0217 B

In the effort to improve our products, we reserve the right to make changes judged to be necessary.



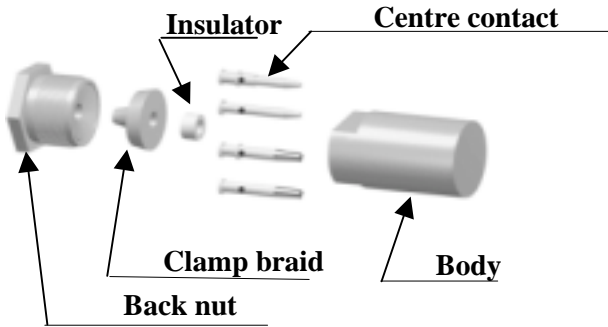
STRAIGHT BULKHEAD JACK CLAMP TYPE

R114.303.133

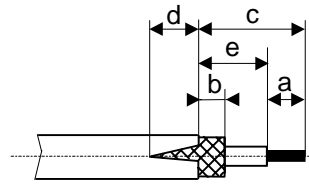
REAR MOUNT - CABLE 2/50 S

Series : SMB

COMPONENTS

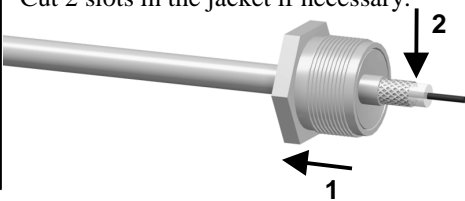


STRIPPING DIMENSIONS



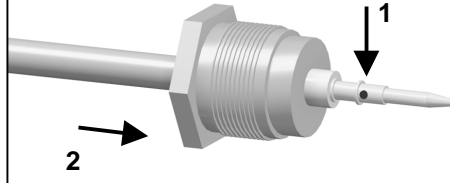
1

Slide the back nut onto the cable.
Strip the cable.
Cut 2 slots in the jacket if necessary.



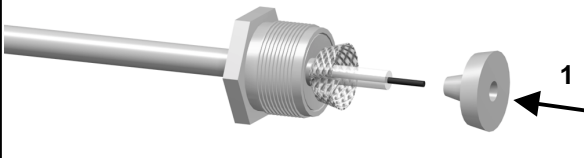
4

Solder the centre contact onto the inner conductor.
Slide the back nut over the cable assembly.



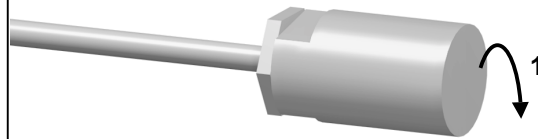
2

Slide the clamp braid sleeve between the cable dielectric and the braid.



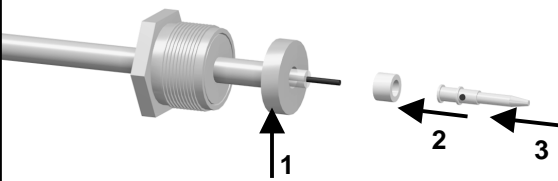
5

Screw sub-assembly into the connector body with the adapted wrench.
Recommended coupling torque (see connector TDS).



3

Cut the braid flush with the clamp braid sleeve.
Slide the spacer onto the cable.
Slide the centre contact on until it bottoms against the cable dielectric.



Issue : 0217 B

In the effort to improve our products, we reserve the right to make changes judged to be necessary.



X-ON Electronics

Largest Supplier of Electrical and Electronic Components

Click to view similar products for [RF Connectors / Coaxial Connectors](#) category:

Click to view products by [Radiall](#) manufacturer:

Other Similar products are found below :

[8915-1511-000](#) [89674-0827](#) [6001-7071-019](#) [6002-7051-003](#) [6002-7551-202](#) [6059674-1](#) [619550-1](#) [630059-000](#) [M39030/3-01N](#) [6500-7071-046](#) [6769](#) [CX050L2AQ](#) [7002-1541-010](#) [7002-1542-011](#) [7004-1512-000](#) [7009-1511-004](#) [7010-1511-000](#) [7029-1511-060](#) [7101-1541-010](#) [7101-1571-002](#) [7105-1521-002](#) [7145-1521-002](#) [7203-1571-003](#) [7209-1511-011](#) [7210-1511-015](#) [7210-1511-019](#) [73137-5015](#) [73216-2241](#) [73404-2300](#) [7405-1521-005](#) [7405-1521-802](#) [8527](#) [8547](#) [FS11V](#) [877931](#) [8808-1511-001](#) [9074-9513-000](#) [9101-9573-002](#) [910A205F](#) [9130-9573-002](#) [PL11SC-026](#) [PL375-33](#) [PL40-5](#) [PL74C-221](#) [PL75MC-217](#) [PL803-7](#) [1200690078](#) [1-201144-1](#) [R107003010W](#) [R110A172100](#)