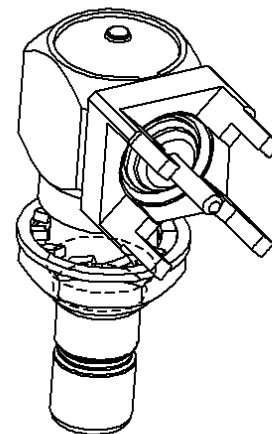
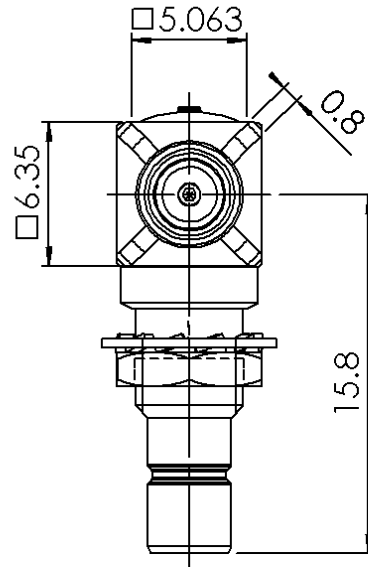
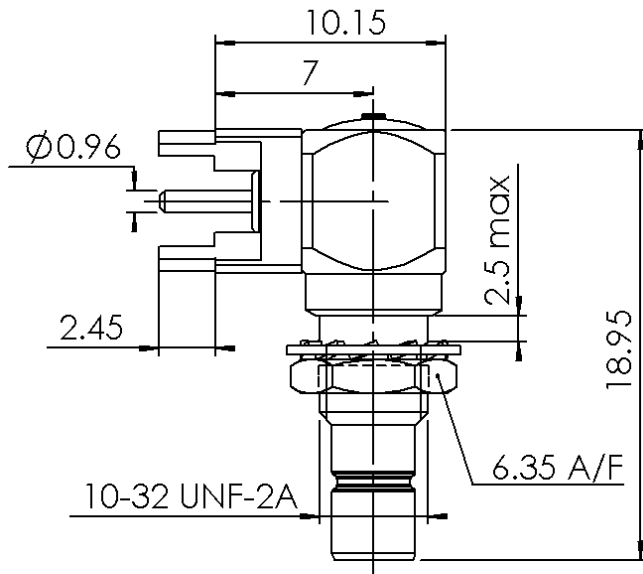


R/A MALE RECEPTACLE FOR PCB

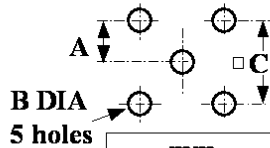
R114.673.120

SOLDER LEGS

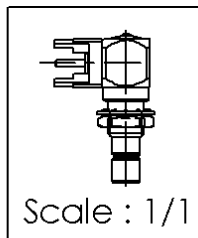
Series : SMB



PANEL CUT OUT



	mm	
	Maxi	mini
A	2.59	2.49
B	1.4	1.3
C	5.16	5



All dimensions are in mm.



COMPONENTS	MATERIALS	PLATINGS (µm)
BODY	BRASS	GOLD 0.2 OVER NICKEL 2
CENTER CONTACT	BRASS	GOLD 1.3 OVER NICKEL 2
OUTER CONTACT	-	-
INSULATOR	PTFE	-
GASKET	-	-
OTHERS PARTS	BRASS	GOLD 0.2 OVER NICKEL 2
-	-	-
-	-	-

Issue : 0717 B

In the effort to improve our products, we reserve the right to make changes judged to be necessary.



R/A MALE RECEPTACLE FOR PCB

R114.673.120

SOLDER LEGS

Series : **SMB**

PACKAGING

SPECIFICATION

Standard	Unit	Other
100	'W' option	Contact us

ELECTRICAL CHARACTERISTICS

Impedance	50	Ω
Frequency	0-4	GHz
VSWR	1.20* + 0,0000	x F(GHz) Maxi
Insertion loss	0.1*	$\sqrt{F}(\text{GHz})$ dB Maxi
RF leakage	- (N/A)	- F(GHz)) dB Maxi
Voltage rating	500	Veff Maxi
Dielectric withstanding voltage	1000	Veff mini
Insulation resistance	1000	M Ω mini

ENVIRONMENTAL

Operating temperature	-65/+165	$^{\circ}\text{C}$
Hermetic seal	NA	Atm.cm ³ /s
Panel leakage	NA	

OTHERS CHARACTERISTICS

Assembly instruction

Others :

* COAXIAL TRANSMISSION LINE ONLY

MECHANICAL CHARACTERISTICS

Center contact retention		
Axial force – Mating end	10	N mini
Axial force – Opposite end	10	N mini
Torque	NA	N.cm mini
Recommended torque		
Mating	NA	N.cm
Panel nut	60	N.cm
Mating life	500	Cycles mini
Weight	3,6200	g

Issue : **0717 B**

In the effort to improve our products, we reserve the right to make changes judged to be necessary.



X-ON Electronics

Largest Supplier of Electrical and Electronic Components

Click to view similar products for [radiall](#) manufacturer:

Other Similar products are found below :

[F760858219](#) [R296701967](#) [8959-1511-004](#) [5919-1503-000](#) [5938-1503-000](#) [7101-1541-010](#) [7105-1561-010](#) [MD11-035](#) [81-6201-0450](#) [9074-9513-000](#) [9620-9003-151](#) [R113425097](#) [R114305000W](#) [R124075210](#) [R125055000](#) [R125512000W](#) [R141154000W](#) [R141572000](#) [R143012000](#) [R143235161W](#) [R166268000](#) [R176019000](#) [R191841001W](#) [R282102000](#) [R282744220](#) [R282918120](#) [R404770000](#) [R414430150](#) [R414520150](#) [R433514700](#) [R570022105](#) [R570123005](#) [R570363010](#) [R570442000](#) [R570E52010](#) [R574402410](#) [R577443000](#) [R585423230](#) [R114425000](#) [R124510000](#) [R125052500](#) [R125320020W](#) [R127.870.001](#) [R141331500W](#) [R162017000W](#) [R176404000](#) [R191970091](#) [R213665000](#) [R282120010](#) [R282750000](#)