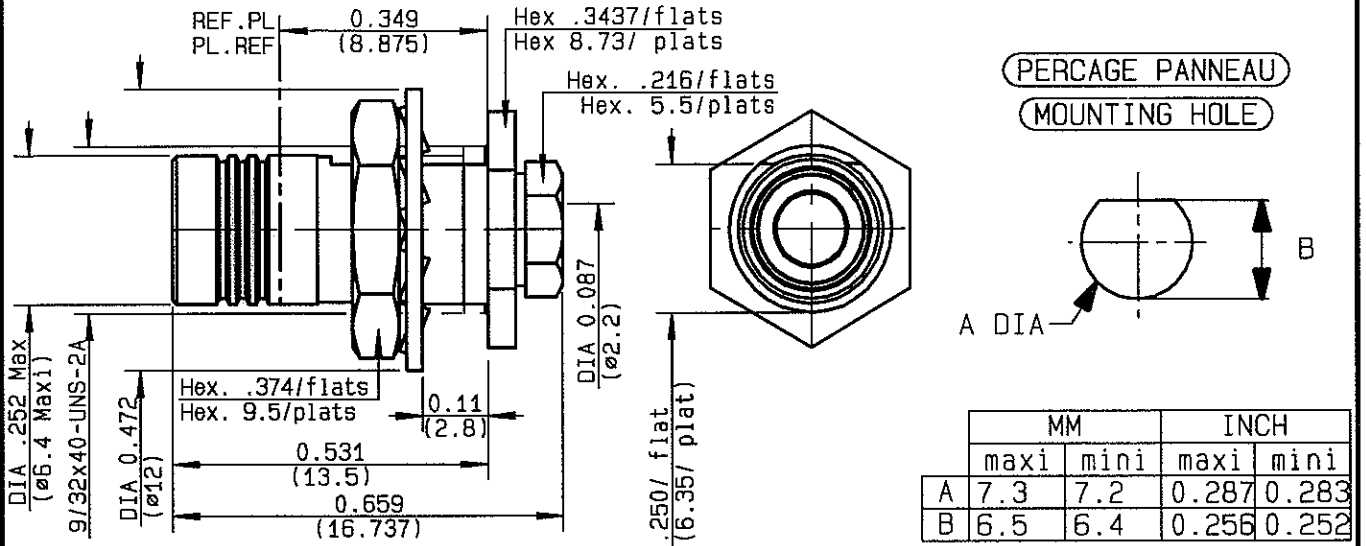


**STRAIGHT PLUG REAR MOUNTING
CLAMP TYPE CABLE 2/50 S**

R116.003.900
SERIES SUBGLIS



NOMINAL IMPEDANCE	50	Ω
FREQUENCY RANGE	0-4	GHz
TEMPERATURE RATING	-65/+165	°C
V.S.W.R	1.3 + .04 x F(GHz)Maxi	
RF INSERTION LOSS	0.25 √F(GHz)	dB Maxi
VOLTAGE RATING	250	Veff Maxi
DIELECTRIC WITHSTANDING VOLTAGE	750	Veff Mini
INSULATION RESISTANCE	1000	MΩMini
HERMETIC SEAL	NA	Atm.cm ³ /s
LEAKAGE (pressurized only)	NA	
MECHANICAL DURABILITY	500	Cycles
WEIGHT	4.17	gr
SPECIFICATION	20-50-33208-00-0B	

CABLES :	KX 21	
	RG 178	
	RG 178 PVC	
	RG 196	
OTHERS CHARACTERISTICS		
CABLE RETENTION	58	N Mini
CENTER CONTACT RETENTION		
Axial force - mating end	10	N Mini
Axial force - opposite end	10	N Mini
Torque	NA	cm.N Mini
RECOMMENDED TORQUES		
Mating	NA	cm.N
Panel nut	100	cm.N
Clamp nut	70	cm.N

CONNECTOR PARTS	MATERIALS	FINISH	(all values are given in micrometers)
BODY	BRASS	GOLD 0.5 OVER COPPER 2.5	
OUTER CONTACT	BRONZE	GOLD 0.5 OVER COPPER 2.5	
CENTER CONTACT	BERYLLIUM COPPER	GOLD 2.5 OVER COPPER 2.5	
INSULATOR	PTFE	-	
GASKET	-	-	
OTHERS PIECES	BRASS	GOLD 0.5 OVER COPPER 2.5	

ISSUE	CREATION DATE	FILE PART-NUMBER
9731A00	15-APR-97	93-0624-006



FANJAT

The information given here is subject to change without notice. Design changes may be in order to improve the product.

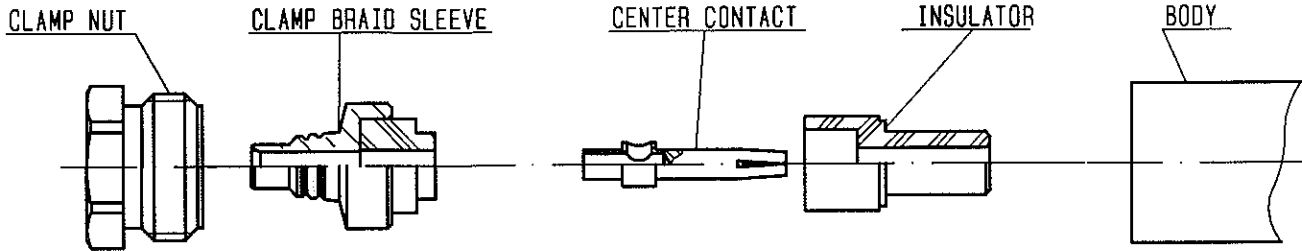
Connect to the future



R116.003.900

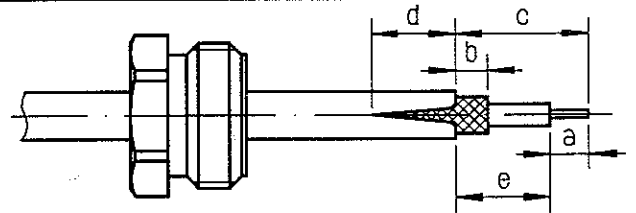
ISSUE 9731A00

SERIES
SUBGLIS



①

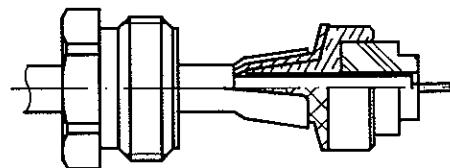
Slide clamp nut onto cable .
Strip the cable .
Cut 2 slots in the jacket
if necessary .
-



Stripping	a	b	c	d	e
inch	0.079	0.039	0.157	0.126	0.079
mm	2	1	4	3.2	2

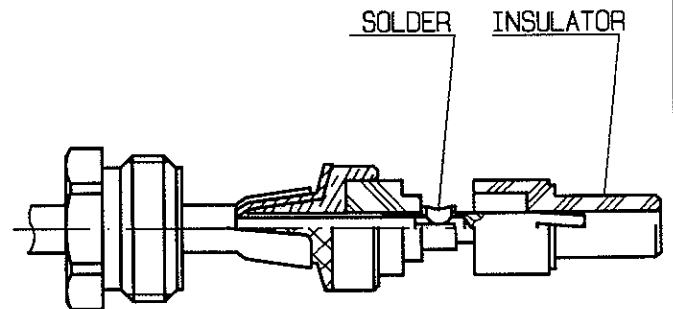
②

Slide the clamp braid sleeve between
cable dielectric and braid .
Cut the braid flush with the clamp
braid sleeve .
-
-
-
-



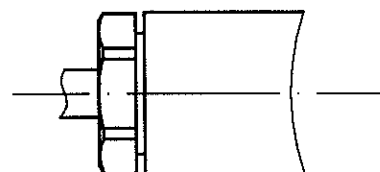
③

Solder center contact onto cable
center conductor .
Mount the insulator .
Slide back nut over clamp assembly .
-
-
-
-



④

Screw sub-assembly into the connector
body .
(recommended coupling torque 70 N.cm)
6.19 in.lb
-



Hex. : 5.5 mm /flats
Hex. : 0.217inch /flats

X-ON Electronics

Largest Supplier of Electrical and Electronic Components

Click to view similar products for [RF Connectors / Coaxial Connectors](#) category:

Click to view products by [Radiall](#) manufacturer:

Other Similar products are found below :

[8915-1511-000](#) [89674-0827](#) [6001-7071-019](#) [6002-7051-003](#) [6002-7551-202](#) [6059674-1](#) [619550-1](#) [630059-000](#) [M39030/3-01N](#) [6500-7071-046](#) [6769](#) [CX050L2AQ](#) [7002-1541-010](#) [7002-1542-011](#) [7004-1512-000](#) [7009-1511-004](#) [7010-1511-000](#) [7029-1511-060](#) [7101-1541-010](#) [7101-1571-002](#) [7145-1521-002](#) [7203-1571-003](#) [7209-1511-011](#) [7210-1511-015](#) [7210-1511-019](#) [73137-5015](#) [73216-2241](#) [73404-2300](#) [7405-1521-005](#) [7405-1521-802](#) [8527](#) [8547](#) [FS11V](#) [877931](#) [8808-1511-001](#) [9074-9513-000](#) [9101-9573-002](#) [910A205F](#) [9130-9573-002](#) [PL11SC-026](#) [PL375-33](#) [PL40-5](#) [PL74C-221](#) [PL75MC-217](#) [PL803-7](#) [1200690078](#) [1-201144-1](#) [R107003010W](#) [R110A172100](#) [R112186000](#)