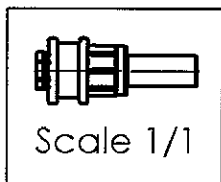
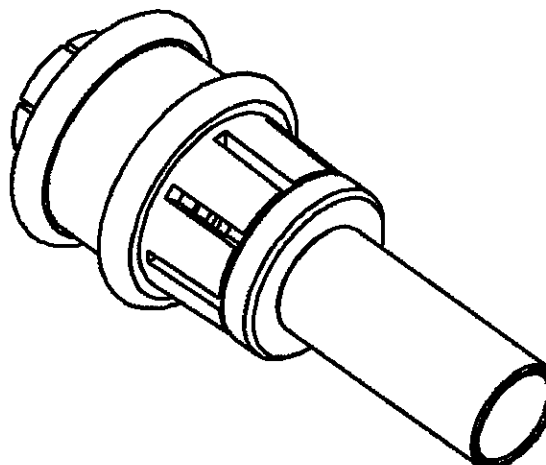
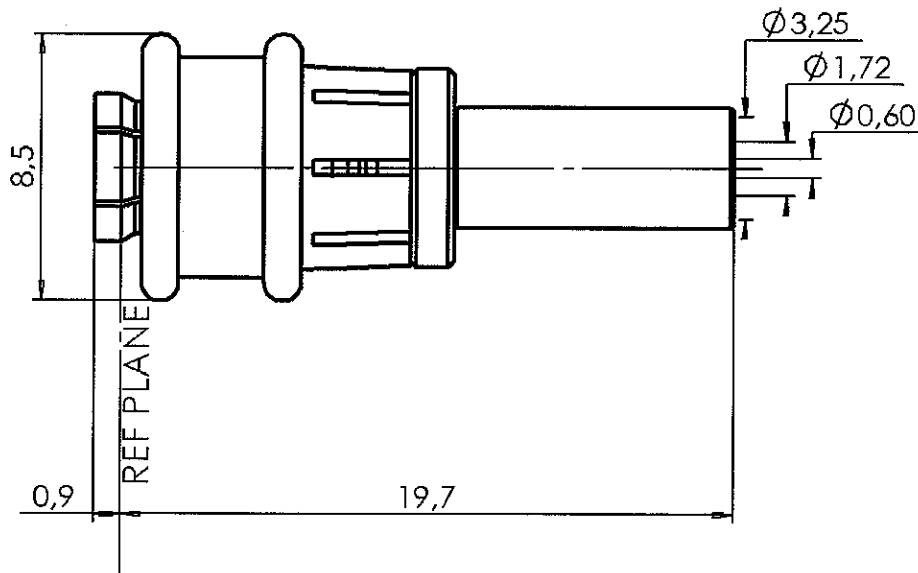


**STRAIGHT PLUG FULL CRIMP TYPE**

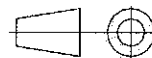
**R117.082.807**

**CABLE 2.6/50 S**

Series : SMB-LOCK



All dimensions are in mm.



COMPONENTS	MATERIALS	PLATING ( $\mu\text{m}$ )
BODY	BRASS	BBR 2
CENTER CONTACT	BERYLLIUM COPPER	GOLD 0.8 OVER COPPER 0.5
OUTER CONTACT	BRONZE	BBR 2
INSULATOR	PTFE	
GASKET	-	
OTHERS PARTS	DELTRIN (POM)	
-	-	
-	-	

Issue : 0604 A

In the effort to improve our products, we reserve the right to make changes judged to be necessary.



**STRAIGHT PLUG FULL CRIMP TYPE**

**R117.082.807**

**CABLE 2.6/50 S**

Series : **SMB-LOCK**

**PACKAGING**

Standard	Unit	Other
100	'W' option	Contact us

**SPECIFICATION**

**ELECTRICAL CHARACTERISTICS**

Impedance	50	Ω
Frequency	0-4	GHz
VSWR	1.25 + 0,0400	x F(GHz) Maxi
Insertion loss	.25	√F(GHz) dB Maxi
RF leakage	- ( NA	- F(GHz) dB Maxi
Voltage rating	335	Veff Maxi
Dielectric withstanding voltage	1000	Veff mini
Insulation resistance	1000	MΩ mini

**CABLE ASSEMBLY**

Stripping	a	b	c	d	e	f
mm	2,50	5,40	11,5	0,00	9,00	0,00

Assembly instruction : **Crimp 02**

Recommended cable(s)  
 RG 316  
 KX 22A  
 RG 188

Characteristics indicated on this data sheet are those that can be achieved with the highest performance cable. Intrinsic limitations of the cable may diminish the performance of the assembly

Cable retention

- pull off **110** N mini  
 - torque **NA** N.cm

**MECHANICAL CHARACTERISTICS**

Center contact retention		
Axial force – Mating end	10	N mini
Axial force – Opposite end	NA	N mini
Torque	NA	N.cm mini

Recommended torque		
Mating	NA	N.cm
Panel nut	NA	N.cm
Clamp nut	NA	N.cm
A/F clamp nut	0,0000	mm

Mating life	500	Cycles mini
Weight	1,7000	g

**TOOLING**

Part Number	Description	Hexagon
.	.	.
R282.281.000	CRIMPING TOOL	2x4p (C.C.)
R282.983.000	POSITONER FOR CRIMPING TOOL	
. And - (et)		
R282.211.000	CRIMPING TOOL	3.25 (ferrule)
. Or - (ou)		
R282.293.000	CRIMPING TOOL	Norm. MIL
R282.235.003	CRIMPING DIES	3.25 (ferrule)

**ENVIRONMENTAL**

Operating temperature	-35/+125	°C
Hermetic seal	NA	Atm.cm3/s
Panel leakage	NA	

**OTHER CHARACTERISTICS**

Issue : 0604 A

In the effort to improve our products, we reserve the right to make changes judged to be necessary.



## X-ON Electronics

Largest Supplier of Electrical and Electronic Components

*Click to view similar products for [RF Connectors / Coaxial Connectors](#) category:*

*Click to view products by [Radiall](#) manufacturer:*

Other Similar products are found below :

[R125315120](#) [8915-1511-000](#) [89674-0827](#) [5916-1103-603](#) [0106-001-000](#) [6-0001-3](#) [6001-7071-019](#) [6002-7051-003](#) [6002-7551-202](#) [6059674-1](#) [619550-1](#) [630059-000](#) [M39012/25-0021](#) [M39012/79-3008](#) [M39030/3-01N](#) [M39030/3-03N](#) [M3933/25-36N](#) [6500-7071-046](#) [6501-1071-002](#) [M83723/72W2457N](#) [6769](#) [CX050L2AQ](#) [7002-1541-010](#) [7002-1572-002](#) [7003-1572-002](#) [7004-1512-000](#) [7009-1511-004](#) [7010-1511-000](#) [7029-1511-060](#) [7101-1541-010](#) [7101-1571-002](#) [7105-1521-002](#) [7145-1521-002](#) [7209-1511-011](#) [7210-1511-012](#) [7210-1511-015](#) [7210-1511-019](#) [7210-1511-040](#) [7225-1512-050](#) [7242-1511-000](#) [73137-5015](#) [73251-0111](#) [73251-0672](#) [73276-1501](#) [73366-0013](#) [73404-2300](#) [73413-6080](#) [73415-5721](#) [7405-1521-005](#) [7405-1521-802](#)