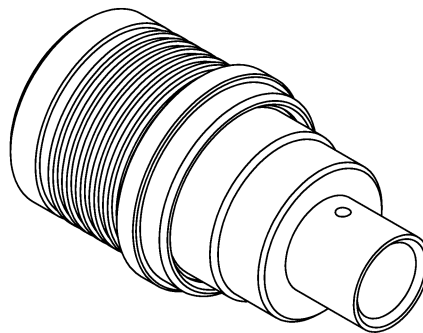
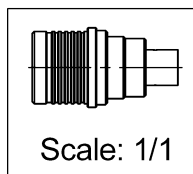
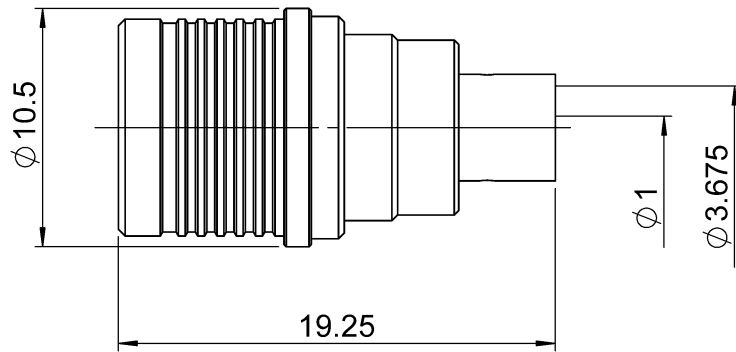
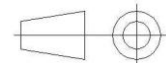


| | | | |
|----------|-----------------|-------------------|-------------------------------|
| PAGE 1/2 | ISSUE 15-05-15G | SERIES QMA | PART NUMBER R123055000 |
|----------|-----------------|-------------------|-------------------------------|



All dimensions are in mm.



| COMPONENTS | MATERIALS | PLATING (μm) |
|----------------|---------------|---------------------------|
| Body | BRASS | BBR |
| Center contact | BRASS | NPGR |
| Outer contact | BRONZE | BBR |
| Insulator | PTFE | |
| Gasket | - | |
| Others parts | - | |
| - | - | |
| - | - | |

| | | | |
|-----------------|------------------------|-------------------|-------------------------------|
| PAGE 2/2 | ISSUE 15-05-15G | SERIES QMA | PART NUMBER R123055000 |
|-----------------|------------------------|-------------------|-------------------------------|

PACKAGING

| Standard | Unit | Other |
|------------|-------------------|-------------------|
| 100 | Contact us | Contact us |

ELECTRICAL CHARACTERISTICS

| | | |
|---------------------------------|----------------------|--------------------------|
| Impedance | 50 | Ω |
| Frequency | 0-6 | GHz |
| VSWR | 1.05 + 0.0150 | x F(GHz) Maxi |
| Insertion loss | .05 | \sqrt{F} (GHz) dB Maxi |
| RF leakage | 80 | - F(GHz)) dB Maxi |
| Voltage rating | 500 | Veff Maxi |
| Dielectric withstanding voltage | 1000 | Veff mini |
| Insulation resistance | 5000 | M Ω mini |

MECHANICAL CHARACTERISTICS

| | | |
|----------------------------|---------------|-------------|
| Center contact retention | | |
| Axial force – Mating End | NA | N mini |
| Axial force – Opposite end | NA | N mini |
| Torque | NA | N.cm mini |
| Recommended torque | | |
| Mating | NA | N.cm |
| Panel nut | NA | N.cm |
| Clamp nut | NA | N.cm |
| A/F clamp nut | 0.0000 | mm |
| Mating life | 100 | Cycles mini |
| Weight | 5.0140 | g |

ENVIRONMENTAL

| | | |
|-----------------------|-----------------|--------------------|
| Operating temperature | -40/+105 | $^{\circ}\text{C}$ |
| Hermetic seal | NA | Atm.cm3/s |
| Panel leakage | NA | |

SPECIFICATION

CABLE ASSEMBLY

| Stripping | a | b | c | d | e | f |
|-----------|-------------|----------|----------|----------|----------|----------|
| mm | 3.17 | 0 | 0 | 0 | 0 | 0 |

Assembly instruction:

Recommended cable(s)

RG 402
BELN YQ43858
HC80000-3
KS 2

Characteristics indicated on this data sheet are those that can be achieved with the highest performance cable. Intrinsic limitations of the cable may diminish the performance of the assembly

Cable retention

| | | |
|------------|------------|--------|
| - pull off | 270 | N mini |
| - torque | NA | N.cm |

TOOLING

| Part Number | Description | Hexagon |
|-------------|--------------------------------------|---------|
| R282053000 | STRIPPING TOOL | |
| R282067000 | POINTER GAUGE | |
| R282740000 | SOLDERING MOUNTING | |
| R282744220 | SOLDERING POSITIONER(CENTER CONTACT) | |
| R282862070 | CONTROL GAUGE | |

OTHER CHARACTERISTICS

Intermod.: -120dBc at 1.8GHz (2x20W)
RF leakage(interf.): 3<F<6GHz:>70dB

X-ON Electronics

Largest Supplier of Electrical and Electronic Components

Click to view similar products for [RF Connectors / Coaxial Connectors](#) category:

Click to view products by [Radiall](#) manufacturer:

Other Similar products are found below :

[8915-1511-000](#) [89674-0827](#) [6001-7071-019](#) [6002-7051-003](#) [6002-7551-202](#) [6059674-1](#) [619550-1](#) [630059-000](#) [M39030/3-01N](#) [6500-7071-046](#) [6769](#) [CX050L2AQ](#) [7002-1541-010](#) [7002-1542-011](#) [7004-1512-000](#) [7009-1511-004](#) [7010-1511-000](#) [7029-1511-060](#) [7101-1541-010](#) [7101-1571-002](#) [7145-1521-002](#) [7203-1571-003](#) [7209-1511-011](#) [7210-1511-015](#) [7210-1511-019](#) [73137-5015](#) [73216-2241](#) [73404-2300](#) [7405-1521-005](#) [7405-1521-802](#) [8527](#) [8547](#) [FS11V](#) [877931](#) [8808-1511-001](#) [9049-9513-000](#) [9074-9513-000](#) [9101-9573-002](#) [910A205F](#) [9130-9573-002](#) [PL11SC-026](#) [PL375-33](#) [PL40-5](#) [PL74C-221](#) [PL75MC-217](#) [PL803-7](#) [1200690078](#) [1-201144-1](#) [R107003010W](#) [R110A172100](#)