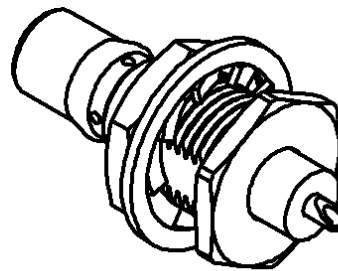
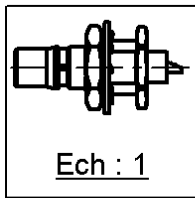
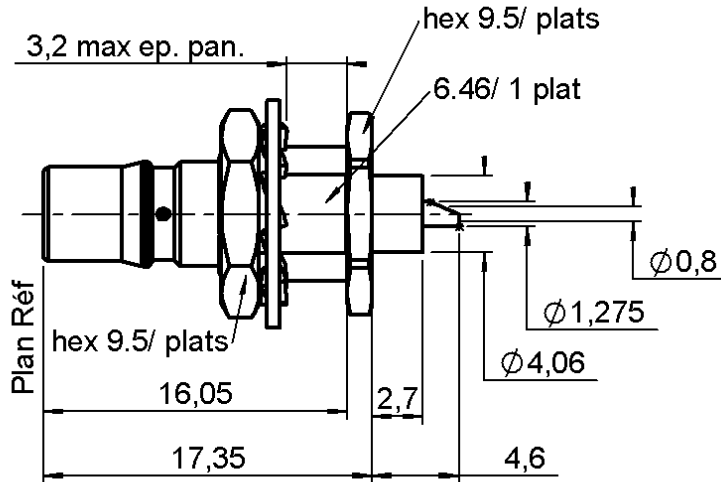


**STRAIGHT BULKEAD RECEPTACLE**

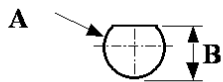
**R123.553.000**

**REAR MOUNTING**

Series : QMA



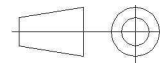
**PANEL CUT OUT**



	mm	
	Maxi	mini
A	7.3	7.2
B	6.65	6.5



All dimensions are in mm.



COMPONENTS	MATERIALS	PLATING (µm)
BODY	BRASS	BBR 2
CENTER CONTACT	BERYLLIUM COPPER	GOLD 1.3 OVER COPPER 2.5
OUTER CONTACT	-	-
INSULATOR	PTFE	-
GASKET	-	-
OTHERS PARTS	BRASS	BBR 2
-	-	-
-	-	-

Issue : 0923 B

In the effort to improve our products, we reserve the right to make changes judged to be necessary.



**STRAIGHT BULKEAD RECEPTACLE**

**R123.553.000**

**REAR MOUNTING**

Series : QMA

**PACKAGING**

**SPECIFICATION**

Standard	Unit	Other
<b>100</b>	<b>'W' option</b>	<b>Contact us</b>

**ELECTRICAL CHARACTERISTICS**

**ENVIRONMENTAL**

Impedance **50** Ω  
 Frequency **0-6** GHz  
 VSWR **\*1.18 + 0,0000** x F(GHz) Maxi  
 Insertion loss **0.07** √F(GHz) dB Maxi  
 RF leakage - ( **\*\*\*80** - F(GHz)) dB Maxi  
 Voltage rating **500** Veff Maxi  
 Dielectric withstanding voltage **1000** Veff mini  
 Insulation resistance **5000** MΩ mini

Operating temperature **-40/+105** ° C  
 Hermetic seal **NA** Atm.cm3/s  
 Panel leakage **NA**

**OTHER CHARACTERISTICS**

Assembly instruction **NA**

Others :  
 \* COAXIAL TRANSMISSION LINE ONLY  
 \*\*Intermod.:<-120dBc at 1.8GHz(2 x 20W)  
 RF leakage:Interf. only:3<F<6GHz:<-70dB

**MECHANICAL CHARACTERISTICS**

Center contact retention  
 Axial force – Mating end **27** N mini  
 Axial force – Opposite end **27** N mini  
 Torque **2.8** N.cm mini  
  
 Recommended torque  
 Mating **NA** N.cm  
 Panel nut **160** N.cm  
  
 Mating life **100** Cycles mini  
 Weight **4,4610** g

Issue : 0923 B

In the effort to improve our products, we reserve the right to make changes judged to be necessary.



## X-ON Electronics

Largest Supplier of Electrical and Electronic Components

*Click to view similar products for [RF Connectors / Coaxial Connectors](#) category:*

*Click to view products by [Radiall](#) manufacturer:*

Other Similar products are found below :

[8915-1511-000](#) [89674-0827](#) [6001-7071-019](#) [6002-7051-003](#) [6002-7551-202](#) [6059674-1](#) [619550-1](#) [630059-000](#) [M39030/3-01N](#) [6500-7071-046](#) [6769](#) [CX050L2AQ](#) [7002-1541-010](#) [7002-1542-011](#) [7004-1512-000](#) [7009-1511-004](#) [7010-1511-000](#) [7029-1511-060](#) [7101-1541-010](#) [7101-1571-002](#) [7145-1521-002](#) [7203-1571-003](#) [7209-1511-011](#) [7210-1511-015](#) [7210-1511-019](#) [73137-5015](#) [73216-2241](#) [73404-2300](#) [7405-1521-005](#) [7405-1521-802](#) [8527](#) [8547](#) [FS11V](#) [877931](#) [8808-1511-001](#) [9074-9513-000](#) [9101-9573-002](#) [910A205F](#) [9130-9573-002](#) [PL11SC-026](#) [PL375-33](#) [PL40-5](#) [PL74C-221](#) [PL75MC-217](#) [PL803-7](#) [1200690078](#) [1-201144-1](#) [R107003010W](#) [R110A172100](#) [R112186000](#)