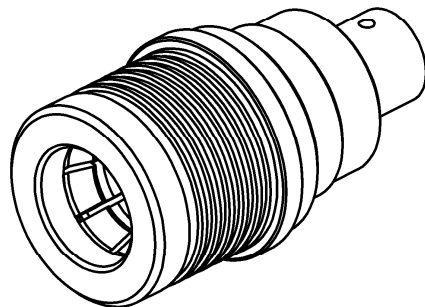
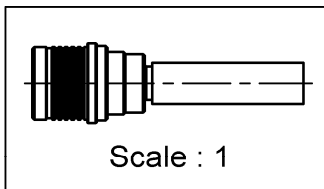
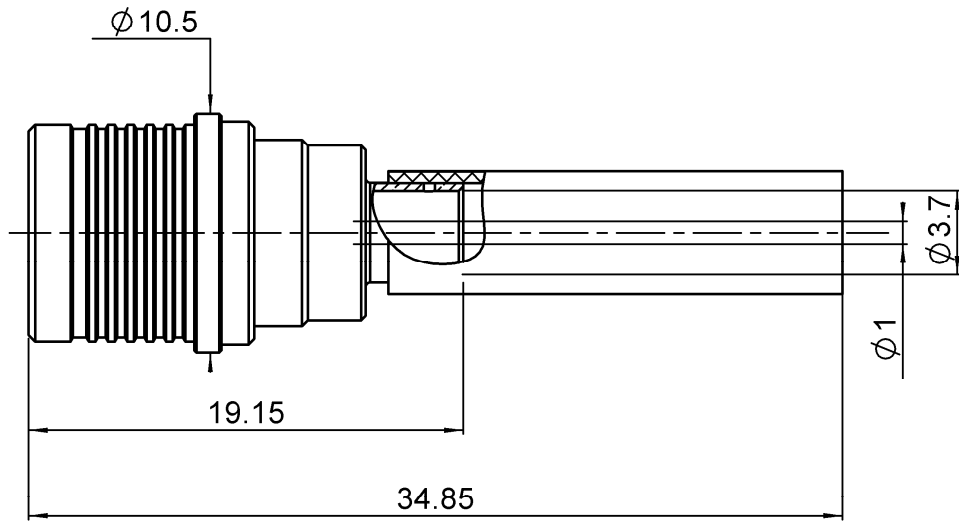


STRAIGHT PLUG SOLDER TYPE

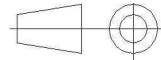
R123W.055.000

CABLE .141

Series : WQMA



All dimensions are in mm.



COMPONENTS	MATERIALS	PLATING (μm)
BODY	BRASS	BBR 2 Brasable
CENTER CONTACT	BRASS	NPGR
OUTER CONTACT	BRASS	BBR2
INSULATOR	PTFE	
GASKET	SILICONE RUBBER	
OTHERS PARTS	BRASS	BBR 2
-	-	-
-	-	-

Issue : 1029 B

In the effort to improve our products, we reserve the right to make changes judged to be necessary.



STRAIGHT PLUG SOLDER TYPE

R123W.055.000

CABLE .141

Series : **WQMA**

PACKAGING

Standard	Unit	Other
100	'W' option	Contact us

SPECIFICATION

ELECTRICAL CHARACTERISTICS

Impedance	50	Ω
Frequency	0-6	GHz
VSWR	1.02 + 0,0200	x F(GHz) Maxi
Insertion loss	0.05	\sqrt{F} (GHz) dB Maxi
RF leakage	- (***80)	- F(GHz)) dB Maxi
Voltage rating	335	Veff Maxi
Dielectric withstanding voltage	1000	Veff mini
Insulation resistance	5000	M Ω mini

CABLE ASSEMBLY

Stripping	a	b	c	d	e	f
mm	3,17	0,00	0,00	0,00	0,00	0,00
mm	3,17	0,00	13*	0,00	0,00	0,00

* for jacketed cable

Assembly instruction:

Recommended cable(s)

RG 402
KS 2

Characteristics indicated on this data sheet are those that can be achieved with the highest performance cable. Intrinsic limitations of the cable may diminish the performance of the assembly

Cable retention

- pull off	270	N mini
- torque	NA	N.cm

MECHANICAL CHARACTERISTICS

Center contact retention		
Axial force – Mating end	NA	N mini
Axial force – Opposite end	NA	N mini
Torque	NA	N.cm mini

TOOLING

Recommended torque		
Mating	NA	N.cm
Panel nut	NA	N.cm
Clamp nut	NA	N.cm
A/F clamp nut	0,0000	mm

Part Number	Description	Hexagon
.	.	.
R282.053.000	STRIPPING TOOL	
R282.067.000	POINTER GAUGE	
R282.740.000	SOLDERING MOUNTING	
R282.744.220	SOLDERING POSITIONER (CENTER CONTACT)	
R282.862.070	CONTROL GAUGE	

Mating life	100	Cycles mini
Weight	5.05	g

ENVIRONMENTAL

Operating temperature	-40/+105	$^{\circ}$ C
Hermetic seal	NA	Atm.cm3/s
Panel leakage	NA	

OTHER CHARACTERISTICS

- *Interface ingress protection : IP68(IEC60529) mated condition
- **Intermod.: -120dBc at 1.8GHz (2 x 20W)
- ***RF leakage(interface) $3 < F < 6$ GHz: >70dB

Issue : **1029 B**

In the effort to improve our products, we reserve the right to make changes judged to be necessary.



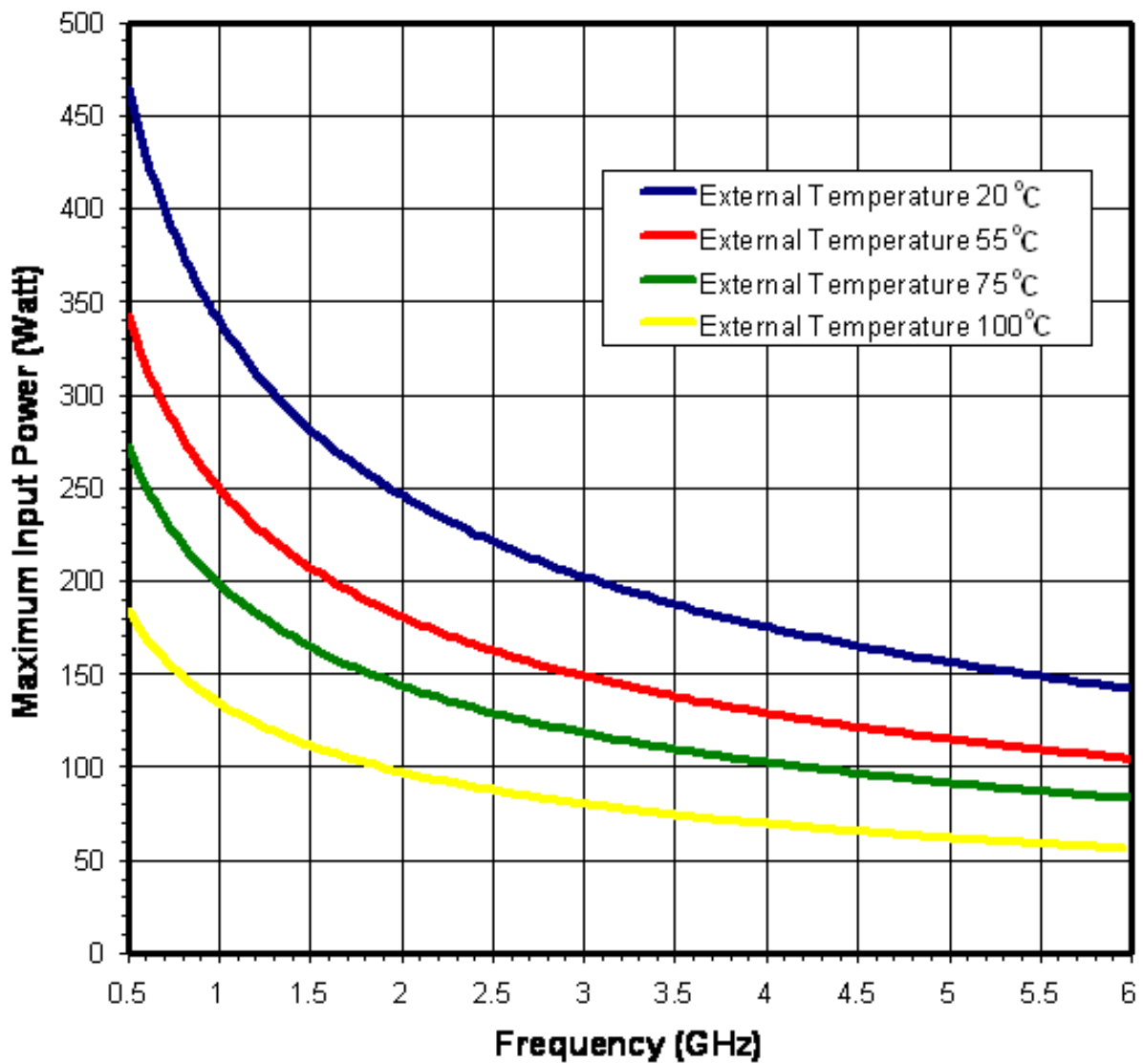
STRAIGHT PLUG SOLDER TYPE

R123W.055.000

CABLE .141

Series : WQMA

POWER DERATING



Issue : 1029 B

In the effort to improve our products, we reserve the right to make changes judged to be necessary.



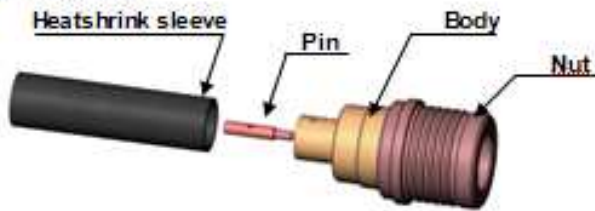
STRAIGHT PLUG SOLDER TYPE

R123W.055.000

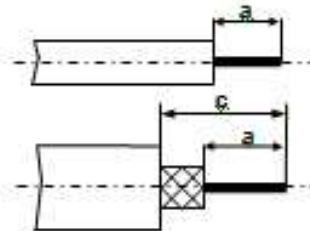
CABLE .141

Series : WQMA

COMPONENTS



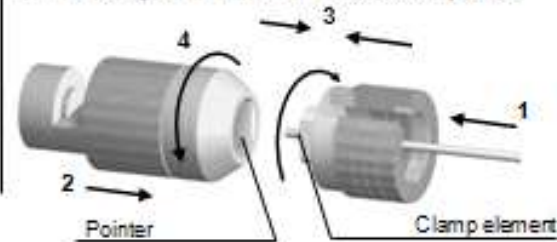
STRIPPING DIMENSIONS



We recommend a cable thermal preconditioning before assembly

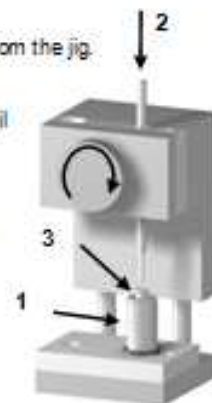
1

For cables with a jacket, remove this one according to the quotation C before using the recommended tool. Insert the cable into the clamp element. Present the pointer in front of the clamp element. Push the cable until it stops, while holding the clamp element pushed on the hollow part of the pointer. Turn the clamp element until the release of the pointer.



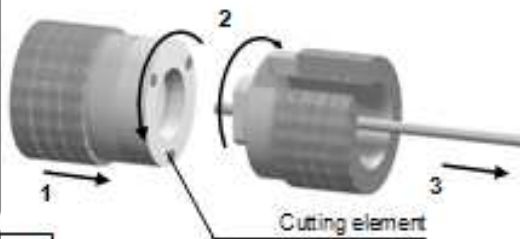
4

After cooling, remove the assembly from the jig. Positioning the connector onto the Assembly jig. Slide the cable into the connector until it bottoms against the insulator. Tighten. Put three rings of solder around the cable and solder. After cooling, remove the assembly from the jig.



2

Present the cutting element in front of the clamp element. Push and turn both elements, back part opposite to the front part. Once they reach the stop, pull without revolving.



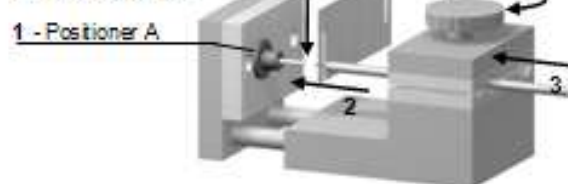
5

Slide the sleeve over the body and heatshrink it in place.



3

Mount the positioner A. Slide the centre contact into the positioner A. Insert the solder gauge between the centre contact and the cable. Tighten. Solder the contact.



Issue :

In the effort to improve our products, we reserve the right to make changes judged to be necessary.

X-ON Electronics

Largest Supplier of Electrical and Electronic Components

Click to view similar products for [RF Connectors / Coaxial Connectors](#) category:

Click to view products by [Radiall](#) manufacturer:

Other Similar products are found below :

[8915-1511-000](#) [89674-0827](#) [6001-7071-019](#) [6002-7051-003](#) [6002-7551-202](#) [6059674-1](#) [619550-1](#) [630059-000](#) [M39030/3-01N](#) [6500-7071-046](#) [6769](#) [CX050L2AQ](#) [7002-1541-010](#) [7002-1542-011](#) [7004-1512-000](#) [7009-1511-004](#) [7010-1511-000](#) [7029-1511-060](#) [7101-1541-010](#) [7101-1571-002](#) [7145-1521-002](#) [7203-1571-003](#) [7209-1511-011](#) [7210-1511-015](#) [7210-1511-019](#) [73137-5015](#) [73216-2241](#) [73404-2300](#) [7405-1521-005](#) [7405-1521-802](#) [8527](#) [8547](#) [FS11V](#) [877931](#) [8808-1511-001](#) [9049-9513-000](#) [9074-9513-000](#) [9101-9573-002](#) [910A205F](#) [9130-9573-002](#) [PL11SC-026](#) [PL375-33](#) [PL40-5](#) [PL74C-221](#) [PL75MC-217](#) [PL803-7](#) [980-8666-005](#) [1200690078](#) [1-201144-1](#) [R107003010W](#)