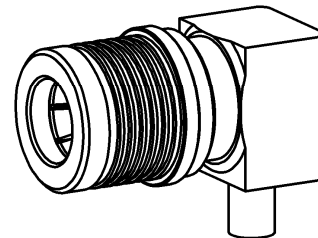
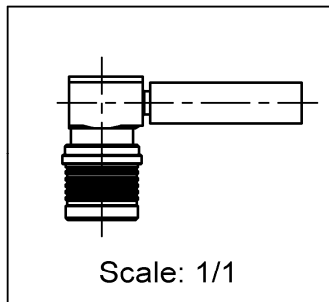
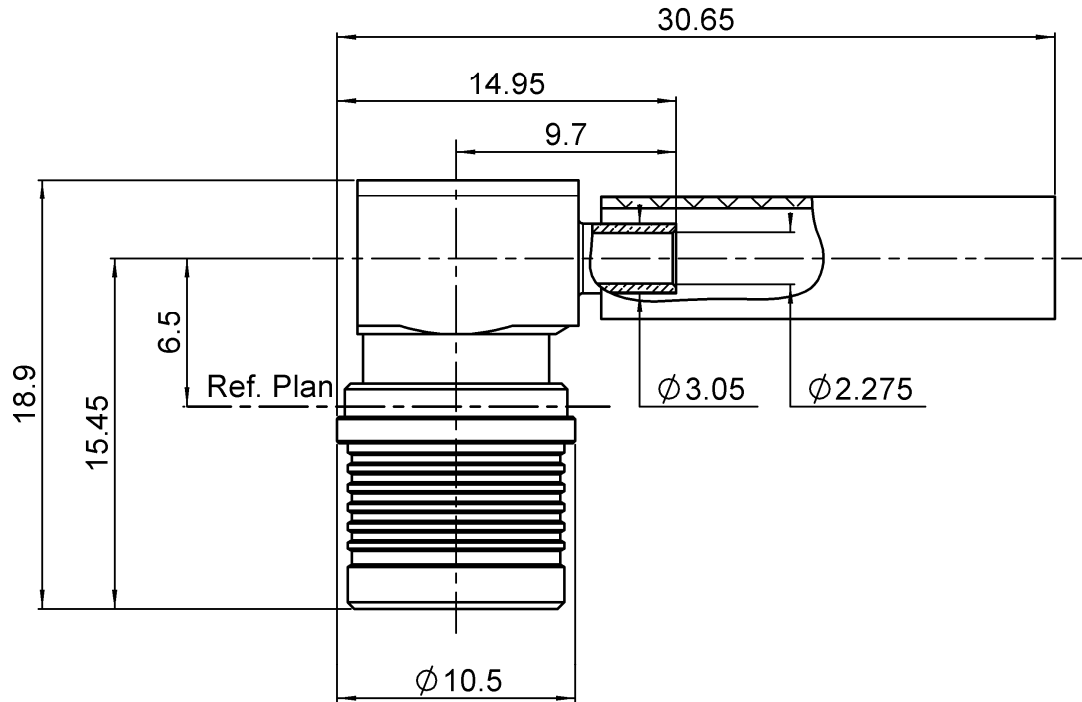


RIGHT ANGLE PLUG SOLDER TYPE

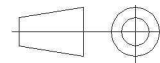
R123W.153.000

CABLE .085

Series : WQMA



All dimensions are in mm.



COMPONENTS	MATERIALS	PLATING (µm)
BODY	BRASS	BBR 2 Brasable
CENTER CONTACT	BRASS	NPGR
OUTER CONTACT	BRASS	BBR 2
INSULATOR	PTFE	
GASKET	SILICONE RUBBER	
OTHERS PARTS	BRASS	BBR 2
.	.	.
.	.	.

Issue : 1029 B

In the effort to improve our products, we reserve the right to make changes judged to be necessary.



RIGHT ANGLE PLUG SOLDER TYPE

R123W.153.000

CABLE .085

Series : **WQMA**

PACKAGING

Standard	Unit	Other
100	'W' option	Contact us

SPECIFICATION

ELECTRICAL CHARACTERISTICS

Impedance	50	Ω
Frequency	0-6	GHz
VSWR	1.02 + 0,0200	x F(GHz) Maxi
Insertion loss	0.05	\sqrt{F} (GHz) dB Maxi
RF leakage	- (***80)	- F(GHz)) dB Maxi
Voltage rating	335	Veff Maxi
Dielectric withstanding voltage	750	Veff mini
Insulation resistance	5000	M Ω mini

CABLE ASSEMBLY

Stripping	a	b	c	d	e	f
mm	3,17	0,00	0,00	0,00	0,00	0,00
mm	3,17	0,00	14*	0,00	0,00	0,00

* for jacketed câble

Assembly instruction:

Recommended cable(s)

RG 405
KS 1
HC60000-3
ALL RG405 HAND

Characteristics indicated on this data sheet are those that can be achieved with the highest performance cable. Intrinsic limitations of the cable may diminish the performance of the assembly

Cable retention

- pull off **130** N mini
- torque **NA** N.cm

MECHANICAL CHARACTERISTICS

Center contact retention		
Axial force – Mating end	18	N mini
Axial force – Opposite end	27	N mini
Torque	NA	N.cm mini

Recommended torque		
Mating	NA	N.cm
Panel nut	NA	N.cm
Clamp nut	NA	N.cm
A/F clamp nut	0,0000	mm

Mating life	100	Cycles mini
Weight	8,4400	g

ENVIRONMENTAL

Operating temperature	-40/+105	$^{\circ}$ C
Hermetic seal	NA	Atm.cm3/s
Panel leakage	NA	

TOOLING

Part Number	Description	Hexagon
R282.051.000	STRIPPING TOOL	
R282.063.000	POINTER GAUGE	
R282.740.000	SOLDERING MOUNTING	
R282.761.000	ASSEMBLY FIXTURE FOR	WQMA END CAP
R282.744.420	SOLDERING POSITIONER	

OTHER CHARACTERISTICS

*Interface ingress protection :
IP68(IEC60529) mated condition
**Intermod.: -120dBc at 1.8GHz (2 x 20W)
***RF Leakage(interface) 3<F<6GHz:>70dB

Issue : **1029 B**

In the effort to improve our products, we reserve the right to make changes judged to be necessary.



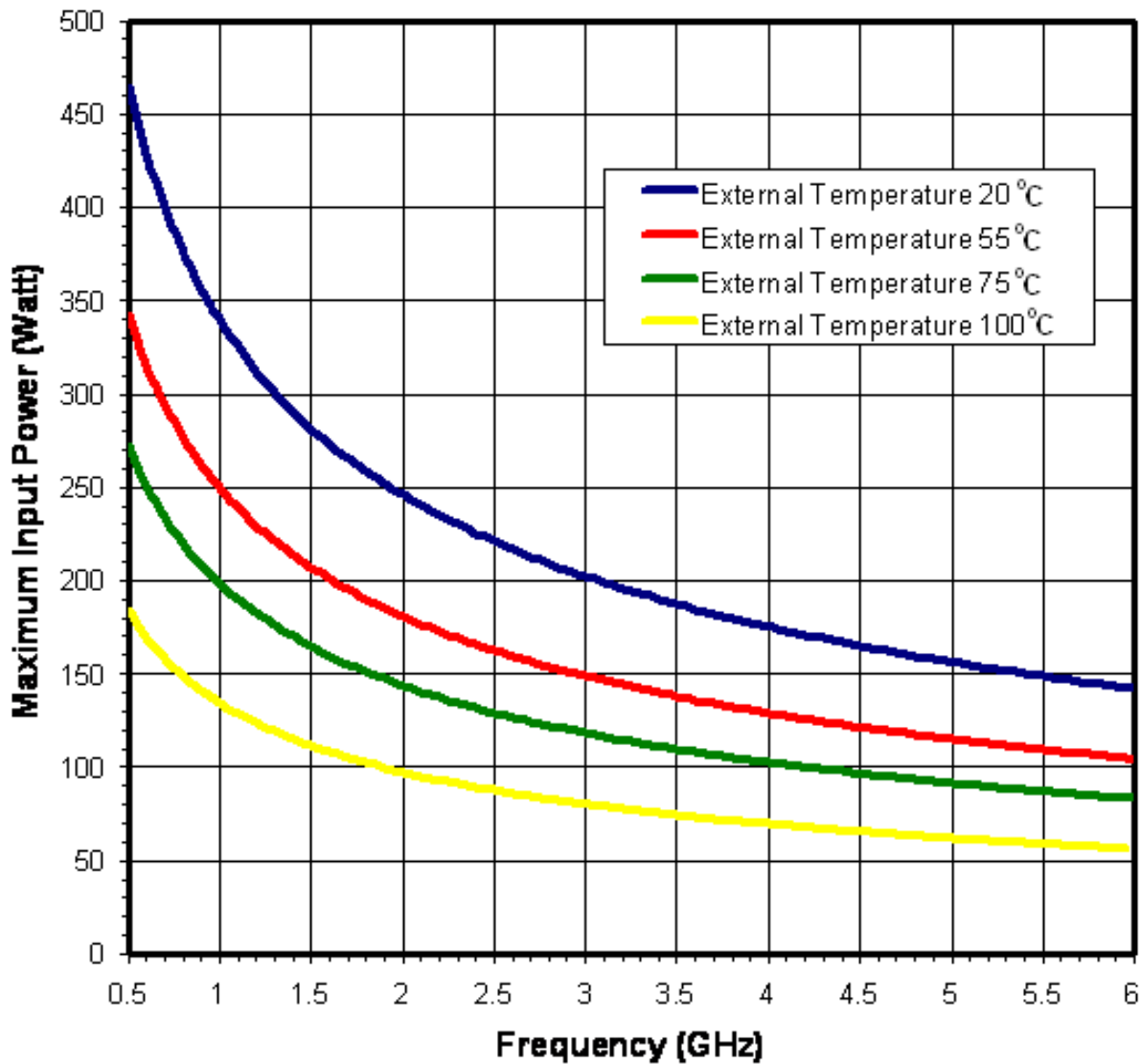
RIGHT ANGLE PLUG SOLDER TYPE

R123W.153.000

CABLE .085

Series : WQMA

POWER DERATING



Issue : 1029 B

In the effort to improve our products, we reserve the right to make changes judged to be necessary.



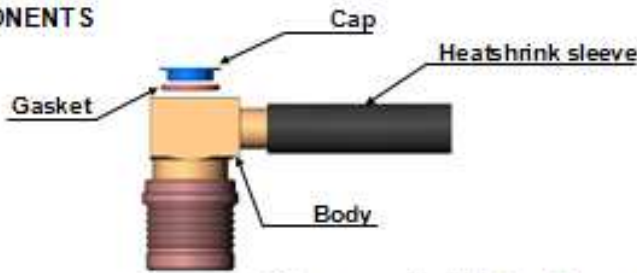
RIGHT ANGLE PLUG SOLDER TYPE

R123W.153.000

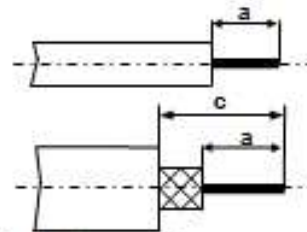
CABLE .085

Series : WQMA

COMPONENTS



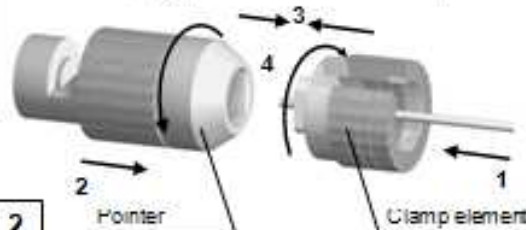
STRIPPING DIMENSIONS



We recommend a cable thermal preconditioning before assembly

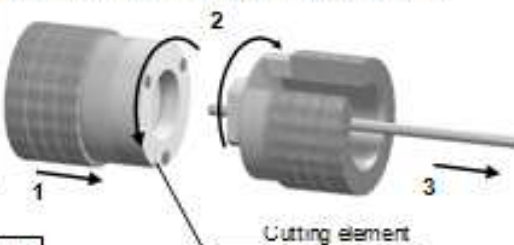
1

For cables with a jacket, remove this one according to the quotation C before using the recommended tool.
Insert the cable into the clamping element.
Present the pointer in front of the clamping element.
Push the cable until it stops, while holding the clamping element pushed on the hollow part of the pointer.
Turn the clamping part until the release of the pointer.



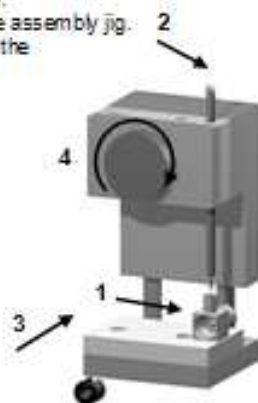
2

Present the cutting element in front of the cutting element.
Push and turn both elements, back part opposite to the front part.
Once they reach the stop, pull without revolving.



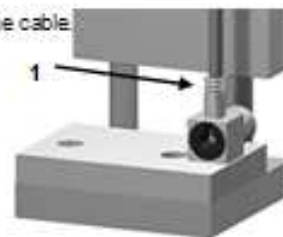
3

Insert the cable into the body.
Secure the positioner into the assembly jig.
Place the sub-assembly into the assembly jig.
Tighten.



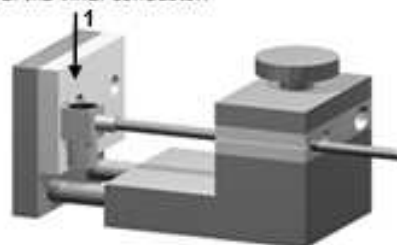
4

Put three rings of solder around the cable.
Solder the body onto the cable.



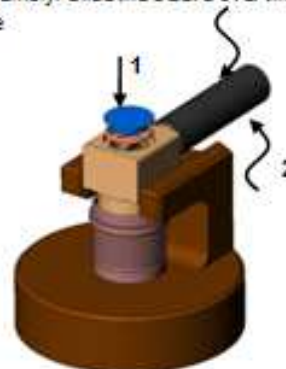
5

After cooling, remove the assembly from the jig.
Remove the positioner.
Solder the inner conductor.



6

Place the connector into the tool. Place the gasket and the cap into the body.
Press on the cap flush or slightly below the surface of the body assembly. Slide the sleeve over the body and heatshrink it in place.



Issue : 1029 B

In the effort to improve our products, we reserve the right to make changes judged to be necessary.

X-ON Electronics

Largest Supplier of Electrical and Electronic Components

Click to view similar products for [RF Connectors / Coaxial Connectors](#) category:

Click to view products by [Radiall](#) manufacturer:

Other Similar products are found below :

[8915-1511-000](#) [89674-0827](#) [6001-7071-019](#) [6002-7051-003](#) [6002-7551-202](#) [6059674-1](#) [619550-1](#) [630059-000](#) [M39030/3-01N](#) [6500-7071-046](#) [6769](#) [CX050L2AQ](#) [7002-1541-010](#) [7002-1542-011](#) [7004-1512-000](#) [7009-1511-004](#) [7010-1511-000](#) [7029-1511-060](#) [7101-1541-010](#) [7101-1571-002](#) [7145-1521-002](#) [7203-1571-003](#) [7209-1511-011](#) [7210-1511-015](#) [7210-1511-019](#) [73137-5015](#) [73216-2241](#) [73404-2300](#) [7405-1521-005](#) [7405-1521-802](#) [8527](#) [8547](#) [FS11V](#) [877931](#) [8808-1511-001](#) [9074-9513-000](#) [9101-9573-002](#) [910A205F](#) [9130-9573-002](#) [PL11SC-026](#) [PL375-33](#) [PL40-5](#) [PL74C-221](#) [PL75MC-217](#) [PL803-7](#) [1200690078](#) [1-201144-1](#) [R107003010W](#) [R110A172100](#) [R112186000](#)