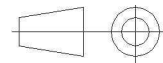
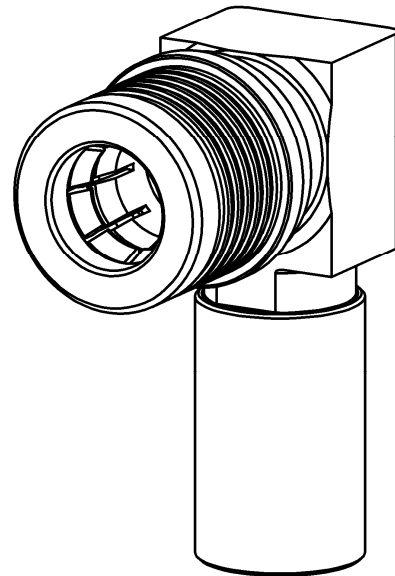
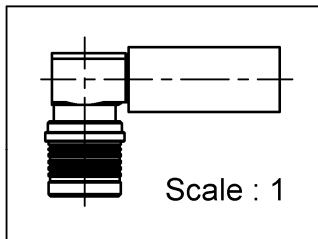
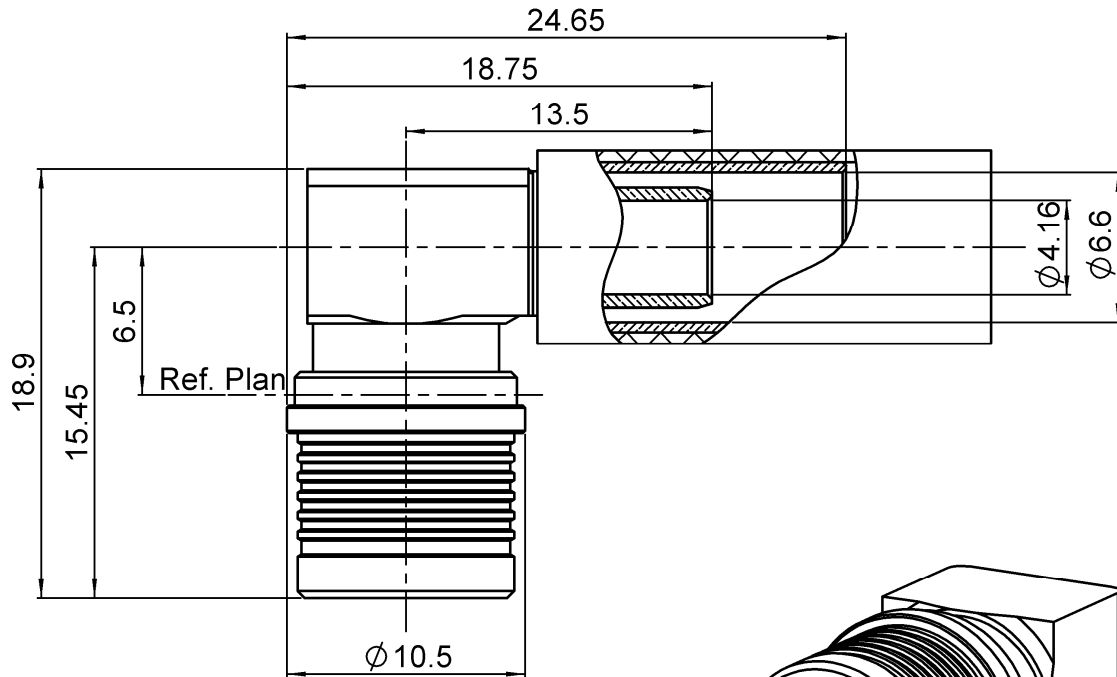


RIGHT ANGLE PLUG CRIMP TYPE

R123W.176.000

CABLE 6/50 D

Series : WQMA



All dimensions are in mm.

COMPONENTS	MATERIALS	PLATING (µm)
BODY	BRASS	BBR 2
CENTER CONTACT	BRASS	NPGR
OUTER CONTACT	BRASS	BBR 2
INSULATOR	PTFE	
GASKET	SILICONE	
OTHERS PARTS	BRASS	BBR 2
-	-	-
-	-	-

Issue : 1029 B

In the effort to improve our products, we reserve the right to make changes judged to be necessary.



RIGHT ANGLE PLUG CRIMP TYPE

R123W.176.000

CABLE 6/50 D

Series : **WQMA**

PACKAGING

Standard	Unit	Other
100	'W' option	Contact us

SPECIFICATION

ELECTRICAL CHARACTERISTICS

Impedance	50	Ω
Frequency	0-6	GHz
VSWR	1.02 + 0,0200	x F(GHz) Maxi
Insertion loss	0.05	\sqrt{F} (GHz) dB Maxi
RF leakage	- (***80)	- F(GHz)) dB Maxi
Voltage rating	335	Veff Maxi
Dielectric withstanding voltage	1000	Veff mini
Insulation resistance	5000	M Ω mini

CABLE ASSEMBLY

Stripping	a	b	c	d	e	f
mm	3,30	6,70	15,0	0,00	11,7	0,00

Assembly instruction:

Recommended cable(s)
ECO 230

Characteristics indicated on this data sheet are those that can be achieved with the highest performance cable. Intrinsic limitations of the cable may diminish the performance of the assembly

Cable retention

- pull off	220	N mini
- torque	NA	N.cm

MECHANICAL CHARACTERISTICS

Center contact retention		
Axial force – Mating end	18	N mini
Axial force – Opposite end	27	N mini
Torque	NA	N.cm mini

TOOLING

Part Number	Description	Hexagon
.	.	.
R282.223.000	CRIMPING TOOL	6,48
R282.235.013	CRIMPING DIES	6,48
R282.293.000	CRIMPING TOOL M22520/5-01	
R282.761.000	ASSEMBLY FIXTURE FOR	WQMA END CAP

Recommended torque		
Mating	NA	N.cm
Panel nut	NA	N.cm
Clamp nut	NA	N.cm
A/F clamp nut	0,0000	mm

Mating life	100	Cycles mini
Weight	9,7300	g

OTHER CHARACTERISTICS

- *Interface ingress protection : IP68(IEC60529) mated condition
- **Intermod.: -120dBc at 1.8GHz (2 x 20W)
- ***RF leakage(interface): $3 < F < 6\text{GHz} > > 70\text{dB}$

ENVIRONMENTAL

Operating temperature	-40/+105	$^{\circ}\text{C}$
Hermetic seal	NA	Atm.cm3/s
Panel leakage	NA	

Issue : **1029 B**

In the effort to improve our products, we reserve the right to make changes judged to be necessary.



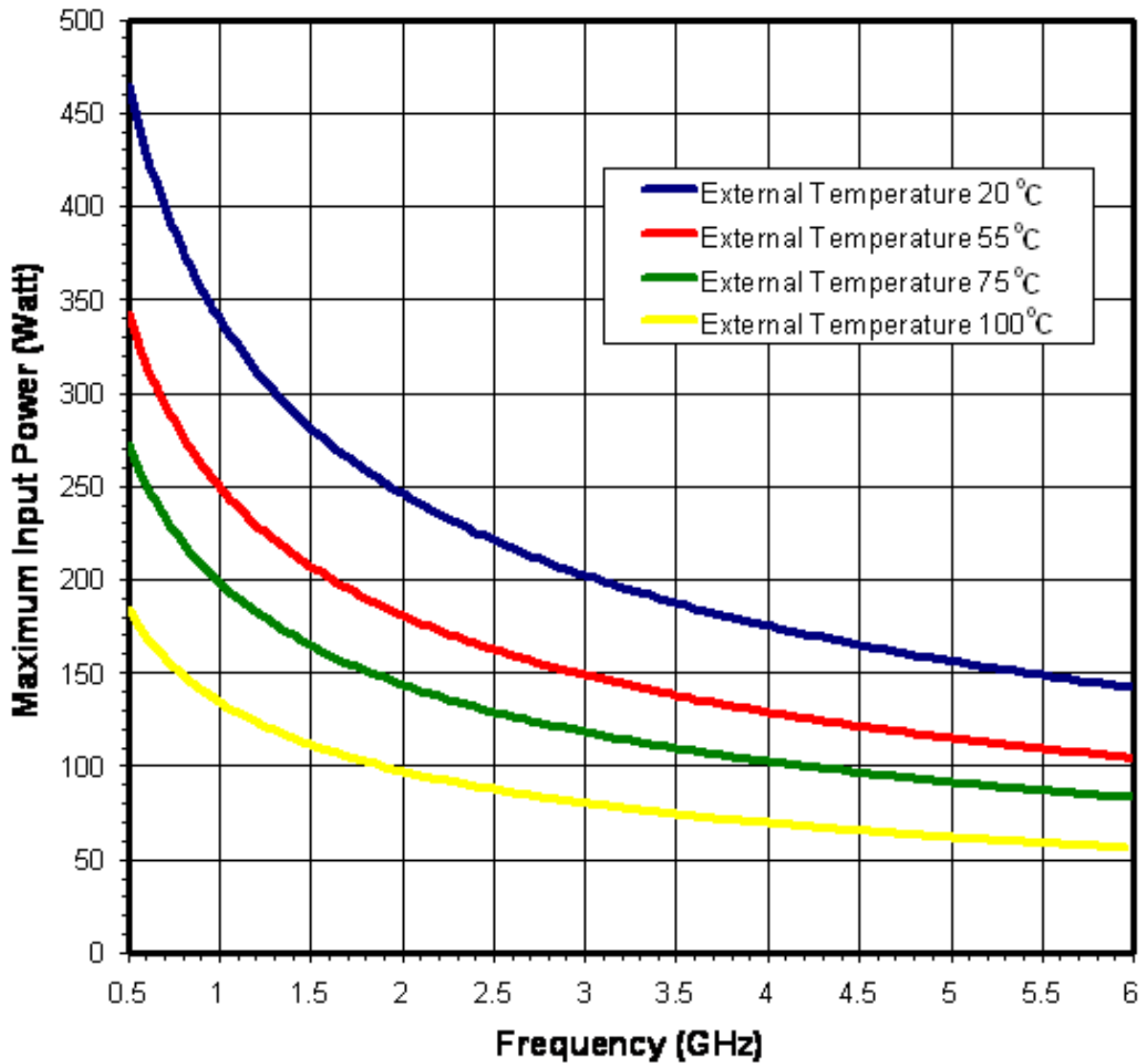
RIGHT ANGLE PLUG CRIMP TYPE

R123W.176.000

CABLE 6/50 D

Series : WQMA

POWER DERATING



Issue : 1029 B

In the effort to improve our products, we reserve the right to make changes judged to be necessary.

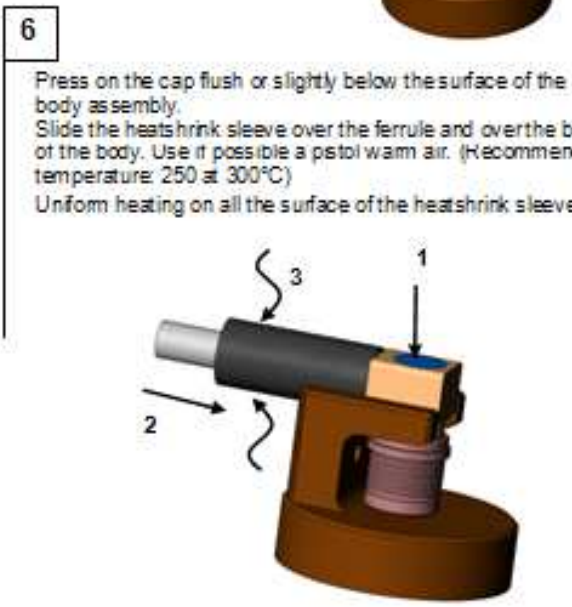
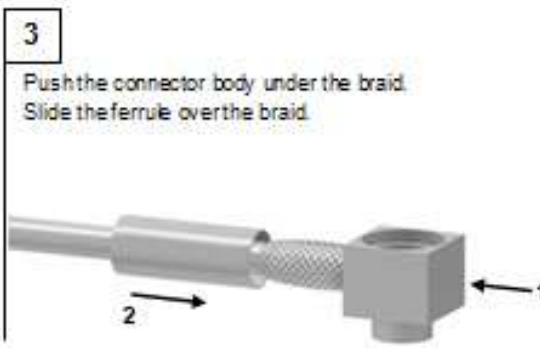
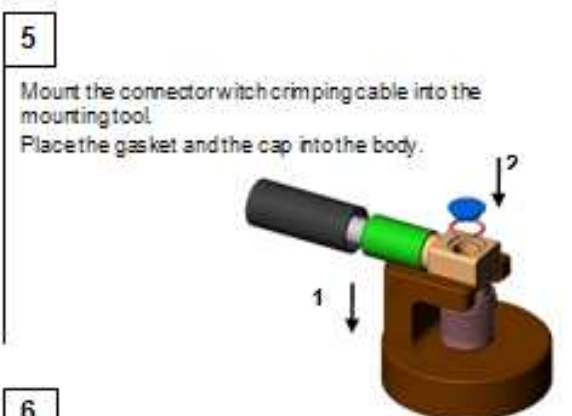
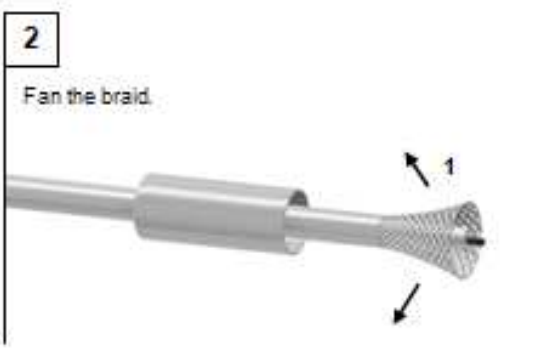
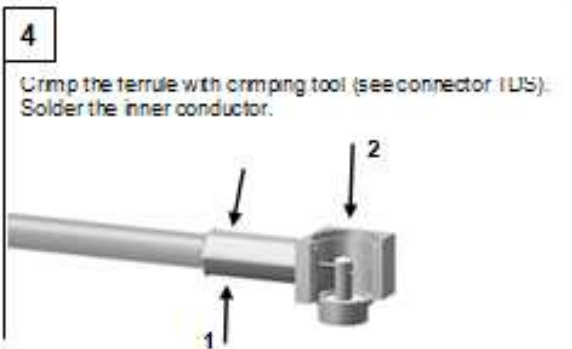
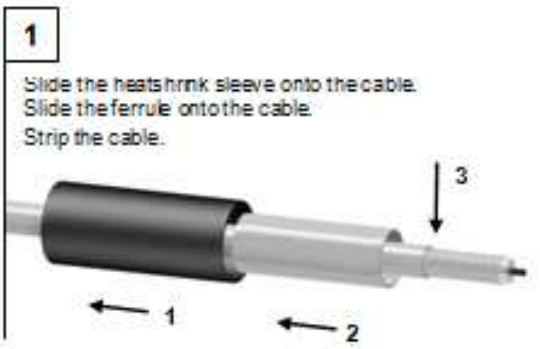
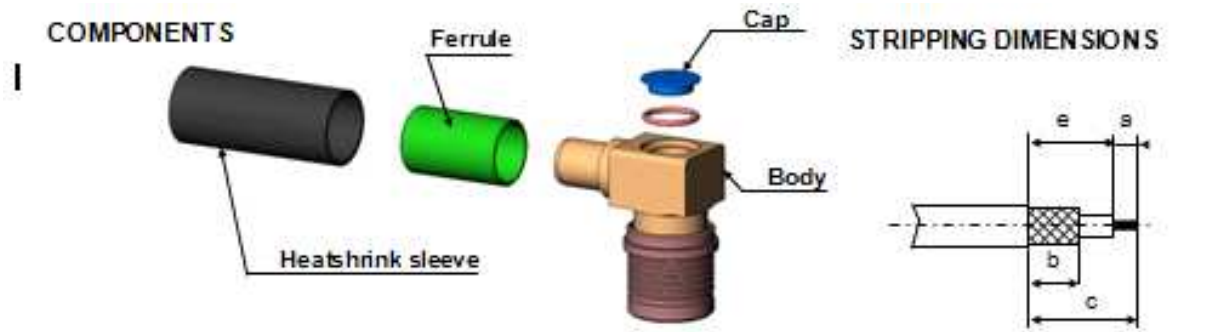


RIGHT ANGLE PLUG CRIMP TYPE

R123W.176.000

CABLE 6/50 D

Series : WQMA



Issue : 1029 B

In the effort to improve our products, we reserve the right to make changes judged to be necessary.



X-ON Electronics

Largest Supplier of Electrical and Electronic Components

Click to view similar products for [RF Connectors / Coaxial Connectors](#) category:

Click to view products by [Radiall](#) manufacturer:

Other Similar products are found below :

[8915-1511-000](#) [89674-0827](#) [6001-7071-019](#) [6002-7051-003](#) [6002-7551-202](#) [6059674-1](#) [619550-1](#) [630059-000](#) [M39030/3-01N](#) [6500-7071-046](#) [6769](#) [CX050L2AQ](#) [7002-1541-010](#) [7002-1542-011](#) [7004-1512-000](#) [7009-1511-004](#) [7010-1511-000](#) [7029-1511-060](#) [7101-1541-010](#) [7101-1571-002](#) [7145-1521-002](#) [7203-1571-003](#) [7209-1511-011](#) [7210-1511-015](#) [7210-1511-019](#) [73137-5015](#) [73216-2241](#) [73404-2300](#) [7405-1521-005](#) [7405-1521-802](#) [8527](#) [8547](#) [FS11V](#) [877931](#) [8808-1511-001](#) [9049-9513-000](#) [9074-9513-000](#) [9101-9573-002](#) [910A205F](#) [9130-9573-002](#) [PL11SC-026](#) [PL375-33](#) [PL40-5](#) [PL74C-221](#) [PL75MC-217](#) [PL803-7](#) [980-8666-005](#) [1200690078](#) [1-201144-1](#) [R107003010W](#)