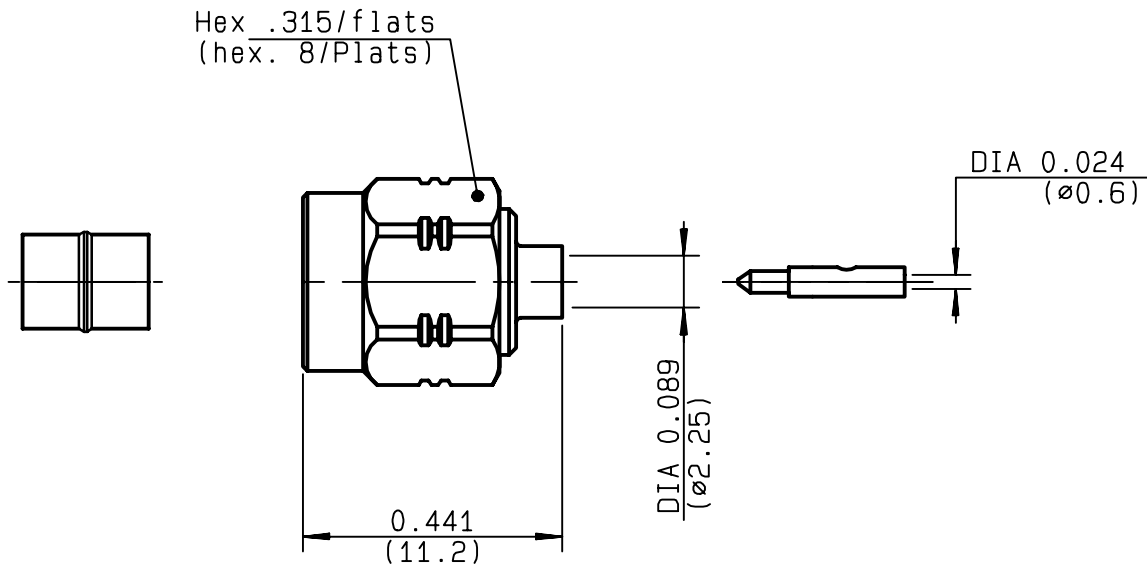


**STRAIGHT PLUG SOLDER TYPE
CABLE .085**

R124.052.003
SERIES SMA-COM



NOMINAL IMPEDANCE	50 Ω
FREQUENCY RANGE	0-18 GHz
TEMPERATURE RATING	-65/+105 °C
V.S.W.R	1.07 + .01 x F(GHz)Maxi
RF INSERTION LOSS	0.05 √F(GHz) dB Maxi
VOLTAGE RATING	335 Veff Maxi
DIELECTRIC WITHSTANDING VOLTAGE	750 Veff Mini
INSULATION RESISTANCE	5000 MΩMini
HERMETIC SEAL	NA Atm.cm ³ /s
LEAKAGE (pressurized only)	NA
MECHANICAL DURABILITY	100 Cycles
WEIGHT	2.25 gr
SPECIFICATION	

CABLES : KS 1 RG 405	
OTHERS CHARACTERISTICS	
CABLE RETENTION	130 N Mini
CENTER CONTACT RETENTION	
Axial force - mating end	NA N Mini
Axial force - opposite end	NA N Mini
Torque	NA cm.N Mini
RECOMMENDED TORQUES	
Mating	60 cm.N
Panel nut	NA cm.N
Clamp nut	NA cm.N

CONNECTOR PARTS	MATERIALS	FINISH (all values are given in micrometers)
BODY	STAINLESS STEEL	GOLD 0.2 OVER NICKEL 2
OUTER CONTACT		
CENTER CONTACT	BRASS	GOLD 1.3 OVER COPPER 2.5
INSULATOR	PTFE	-
GASKET	SILICONE RUBBER	-
OTHERS PIECES	BRASS	GOLD 0.2 OVER NICKEL 2

ISSUE	CREATION DATE	FILE PART-NUMBER
9910B00	12/11/1996	96-1200-062



RADIALL®

TRIQUES

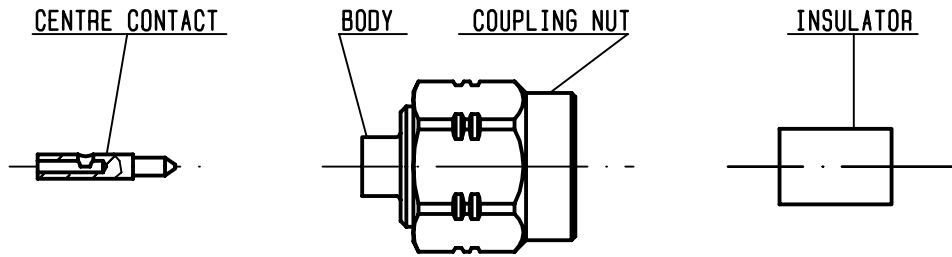
The information given here is subject to change without notice.
Design changes may be in order to improve the product .

Connect to the future



R124.052.003

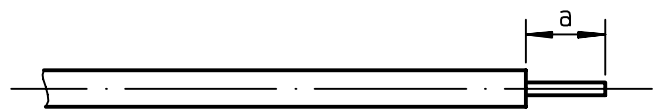
ISSUE **9910B00** SERIES **SMA-COM**



We recommend a cable thermal preconditioning before assembling

①

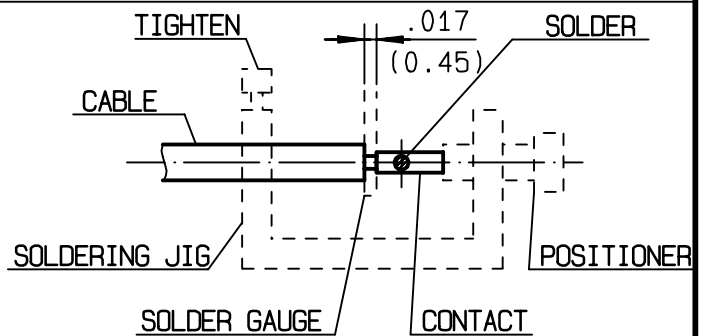
Strip the dielectric of the cable .
 Stripping tool cable : R 282 051 000.
 Trimmer : R 282 063 000 .
 Clean the cable .
 -



Stripping	a	b	c	d	e
inch	0.125 0	0	0	0	0
mm	3.17				

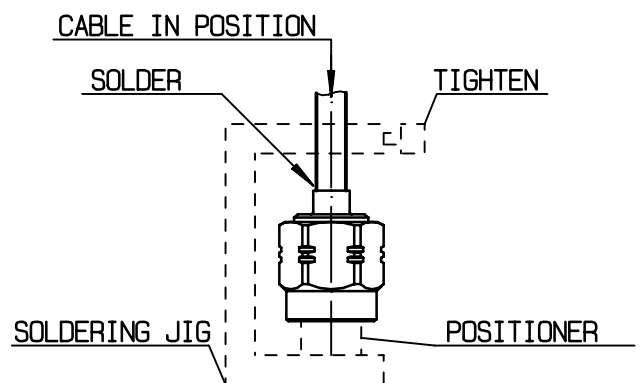
②

Screw the positioner R 282 744 220 onto the soldering jig R 282 740 000 .
 Slide contact into positioner .
 Insert solder gauge R 282 862 060 (61) between contact and cable .
 Tighten and solder the contact .



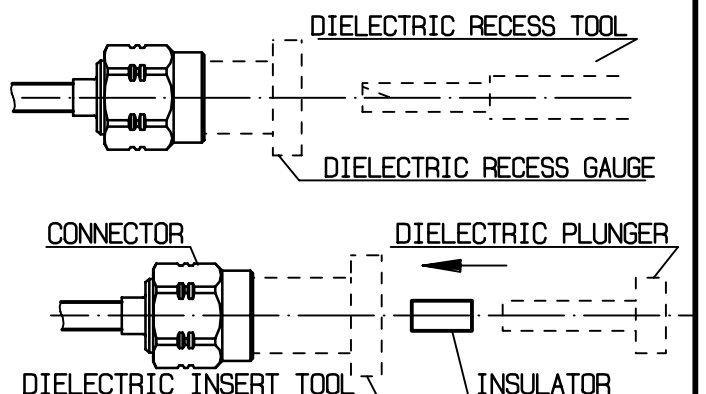
③

After cooling remove cable assembly from the jig .
 Screw positioner R 282 744 060 (85) into the connector .
 Slide cable into the connector until it bottoms againsts positioner .
 Tighten .
 Put 3 rings of solder around the cable and solder .



④

After cooling remove cable assembly from the jig .
 Screw dielectric recess gauge R282 914 000(93) and trim dielectric with the dielectric recess tool R 282 915 010.
 Screw female dielectric insert tool onto connector and insert insulator with the dielectric plunger R 282 730 040 .



TRIQUES

X-ON Electronics

Largest Supplier of Electrical and Electronic Components

Click to view similar products for [RF Connectors](#) / [Coaxial Connectors](#) category:

Click to view products by [Radiall](#) manufacturer:

Other Similar products are found below :

[8915-1511-000](#) [89674-0827](#) [6001-7071-019](#) [6002-7051-003](#) [6002-7551-202](#) [6059674-1](#) [619550-1](#) [630059-000](#) [M39030/3-01N](#) [6500-7071-046](#) [6769](#) [CX050L2AQ](#) [7002-1541-010](#) [7002-1542-011](#) [7004-1512-000](#) [7009-1511-004](#) [7010-1511-000](#) [7029-1511-060](#) [7101-1541-010](#) [7101-1571-002](#) [7145-1521-002](#) [7203-1571-003](#) [7209-1511-011](#) [7210-1511-015](#) [7210-1511-019](#) [73137-5015](#) [73216-2241](#) [73404-2300](#) [7405-1521-005](#) [7405-1521-802](#) [8527](#) [8547](#) [FS11V](#) [877931](#) [8808-1511-001](#) [9074-9513-000](#) [9101-9573-002](#) [910A205F](#) [9130-9573-002](#) [PL11SC-026](#) [PL375-33](#) [PL40-5](#) [PL74C-221](#) [PL75MC-217](#) [PL803-7](#) [1200690078](#) [1-201144-1](#) [R107003010W](#) [R110A172100](#) [R112186000](#)