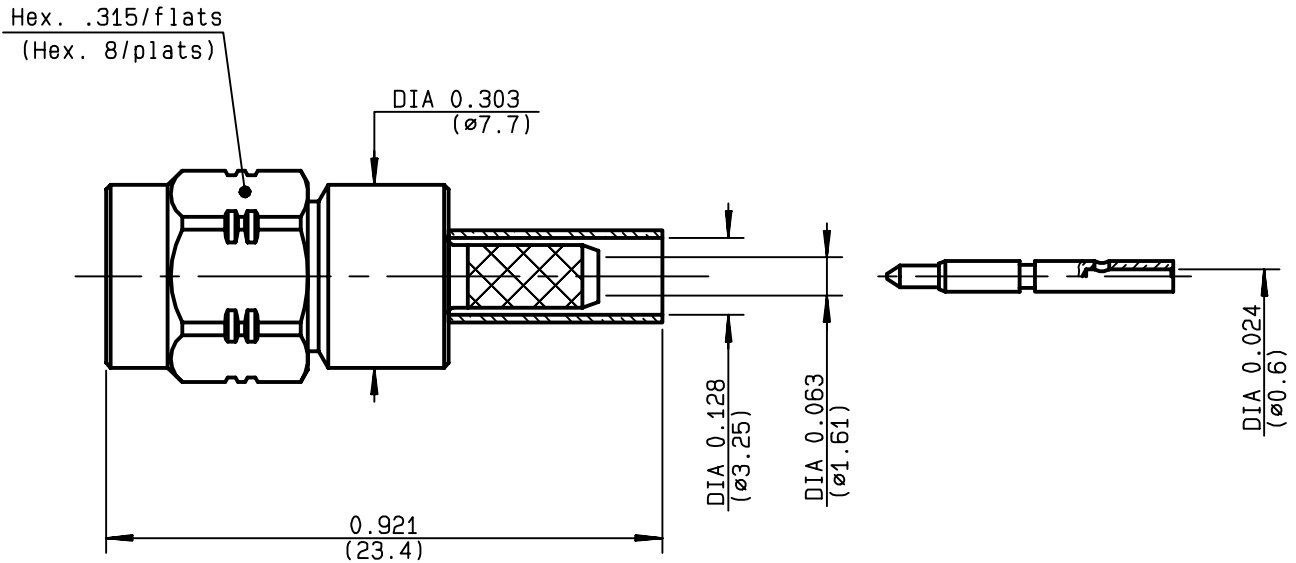


**STRAIGHT PLUG FULL CRIMP-TYPE
CABLE 2.6/50 S**

R124.071.123
SERIES SMA-COM



NOMINAL IMPEDANCE	50 Ω	CABLES : KX 22A RG 188 RG 316
FREQUENCY RANGE	0-12.4 GHz	
TEMPERATURE RATING	-65/+165 °C	
V.S.W.R	1.15 + .02 x F(GHz)Maxi	
RF INSERTION LOSS	0.05 √F(GHz) dB Maxi	
VOLTAGE RATING	250 Veff Maxi	
DIELECTRIC WITHSTANDING VOLTAGE	750 Veff Mini	
INSULATION RESISTANCE	5000 MΩMini	
HERMETIC SEAL	NA Atm.cm ³ /s	
LEAKAGE (pressurized only)	NA	
MECHANICAL DURABILITY	100 Cycles	OTHERS CHARACTERISTICS
WEIGHT	4.4 gr	CABLE RETENTION 90 N Mini
SPECIFICATION		CENTER CONTACT RETENTION
		Axial force - mating end 18 N Mini
		Axial force - opposite end 18 N Mini
		Torque NA cm.N Mini
		RECOMMENDED TORQUES
		Mating 60 cm.N
		Panel nut NA cm.N
		Clamp nut NA cm.N

CONNECTOR PARTS:	MATERIALS	FINISH (all values are given in micrometers)
BODY	BRASS	GOLD 0.2 OVER NICKEL 2
OUTER CONTACT		
CENTER CONTACT	BRASS	GOLD 1.3 OVER COPPER 2.5
INSULATOR	PTFE	-
GASKET		-
OTHERS PIECES	BRASS	GOLD 0.2 OVER NICKEL 2

ISSUE	CREATION DATE	FILE PART-NUMBER
9847B00	20/05/1996	96-1000-050



TRIQUES

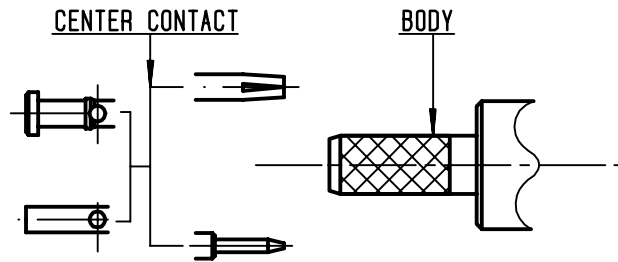
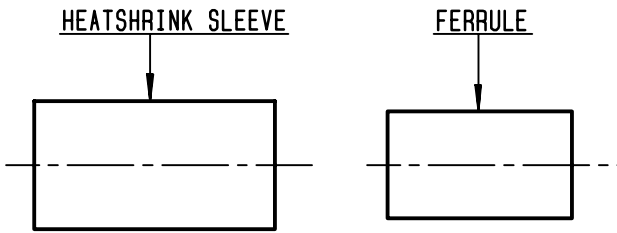
The information given here is subject to change without notice.
Design changes may be in order to improve the product .

Connect to the future



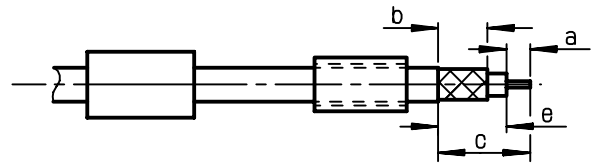
R124.071.123

ISSUE 9847B00 SERIES SMA-COM



①

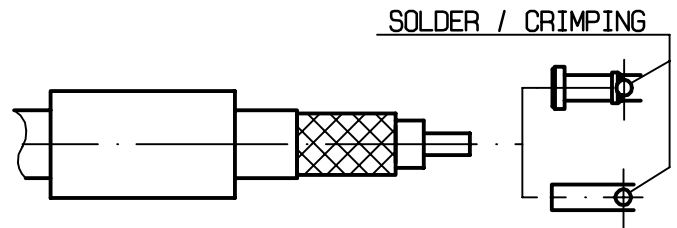
Slide heatshrink sleeve (R280.637.020 - Option) and ferrule onto cable .
Strip the cable .



Stripping	a	b	c	d	e
inch	0.118	0.248	0.425	0	0.307
mm	3	6.3	10.8		7.8

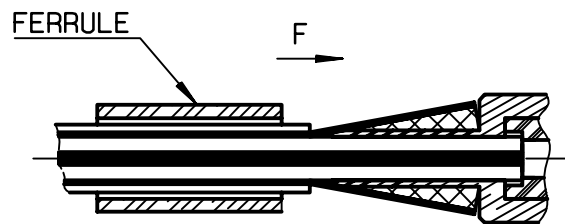
②

Slide center contact on until it bottoms against cable dielectric .
Solder or crimp center contact .
Crimping tool : R282.281.000 (2 x 4 pts) position 5
+ positionner R282.967.012 .



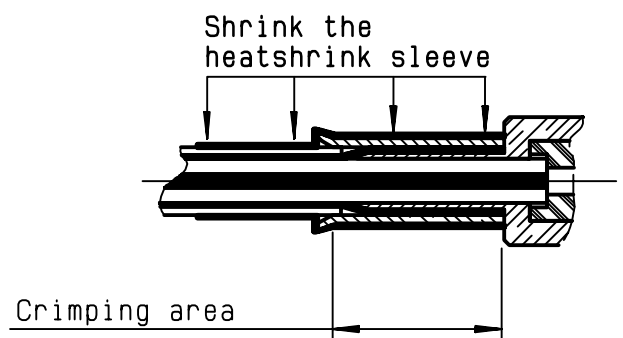
③

Fan the braid .
Slide cable into the body by overtaking the insulator hard mounting point .
Slide ferrule over the braid .
(In direction F)



④

Crimp the ferrule with crimping tool R282.271.000 (Hex. : .128)(3.25) or crimping tool R282.293.000 (M22520/5-01) + dies R282.235.003 (M22520/5-03)
Cut excess of braid if necessary .
Slide sleeve over ferrule and heatshrink in place (Option)



X-ON Electronics

Largest Supplier of Electrical and Electronic Components

Click to view similar products for [RF Connectors / Coaxial Connectors](#) category:

Click to view products by [Radiall](#) manufacturer:

Other Similar products are found below :

[8915-1511-000](#) [89674-0827](#) [6001-7071-019](#) [6002-7051-003](#) [6002-7551-202](#) [6059674-1](#) [619550-1](#) [630059-000](#) [M39030/3-01N](#) [6500-7071-046](#) [6769](#) [CX050L2AQ](#) [7002-1541-010](#) [7002-1542-011](#) [7004-1512-000](#) [7009-1511-004](#) [7010-1511-000](#) [7029-1511-060](#) [7101-1541-010](#) [7101-1571-002](#) [7145-1521-002](#) [7203-1571-003](#) [7209-1511-011](#) [7210-1511-015](#) [7210-1511-019](#) [73137-5015](#) [73216-2241](#) [73404-2300](#) [7405-1521-005](#) [7405-1521-802](#) [8527](#) [8547](#) [FS11V](#) [877931](#) [8808-1511-001](#) [9049-9513-000](#) [9074-9513-000](#) [9101-9573-002](#) [910A205F](#) [9130-9573-002](#) [PL11SC-026](#) [PL375-33](#) [PL40-5](#) [PL74C-221](#) [PL75MC-217](#) [PL803-7](#) [980-8666-005](#) [1200690078](#) [1-201144-1](#) [R107003010W](#)