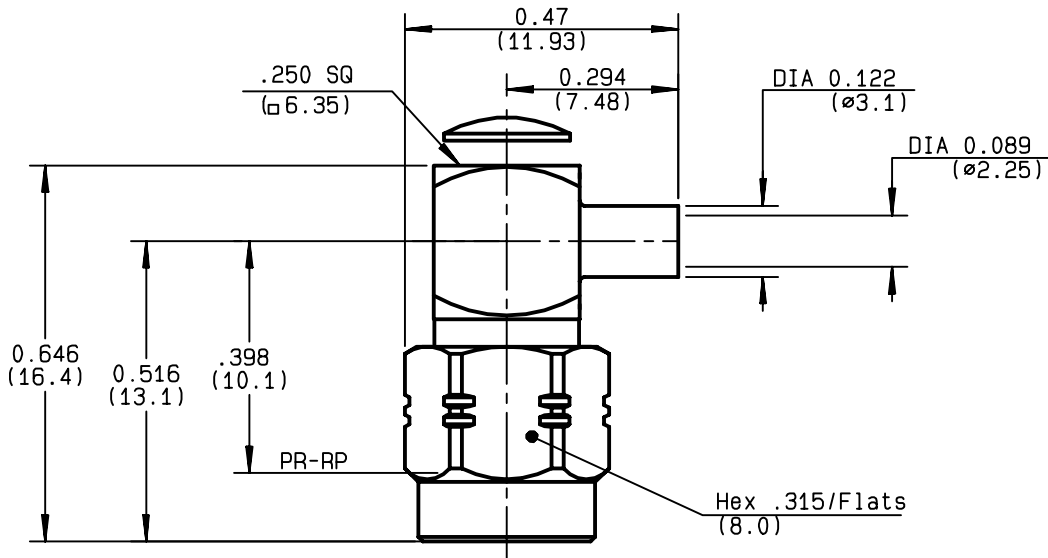


**RIGHT ANGLE PLUG SOLDER TYPE
CABLE .085**

R124.153.003
SERIES SMA-COM



NOMINAL IMPEDANCE	50 Ω
FREQUENCY RANGE	0-12.4 GHz
TEMPERATURE RATING	-65/+105 °C
V.S.W.R	1.10 + .01 x F(GHz)Maxi
RF INSERTION LOSS	0.05 √F(GHz) dB Maxi
VOLTAGE RATING	335 Veff Maxi
DIELECTRIC WITHSTANDING VOLTAGE	750 Veff Mini
INSULATION RESISTANCE	5000 MΩMini
HERMETIC SEAL	NA Atm.cm ³ /s
LEAKAGE (pressurized only)	NA
MECHANICAL DURABILITY	100 Cycles
WEIGHT	4.05 gr
SPECIFICATION	

CABLES : KS 1	
RG 405	
OTHERS CHARACTERISTICS	
CABLE RETENTION	130 N Mini
CENTER CONTACT RETENTION	
Axial force - mating end	27 N Mini
Axial force - opposite end	27 N Mini
Torque	NA cm.N Mini
RECOMMENDED TORQUES	
Mating	60 cm.N
Panel nut	NA cm.N
Clamp nut	NA cm.N

CONNECTOR PARTS	MATERIALS	FINISH
BODY	BRASS	GOLD 0.2 OVER NICKEL 2
OUTER CONTACT		
CENTER CONTACT	BRASS	GOLD 1.3 OVER COPPER 2.5
INSULATOR	PTFE	-
GASKET	SILICONE RUBBER	-
OTHERS PIECES	BRASS	GOLD 0.2 OVER NICKEL 2

(all values are given in micrometers)

ISSUE	CREATION DATE	FILE PART-NUMBER
9847A00	17/06/1996	96-1200-072



Connect to the future

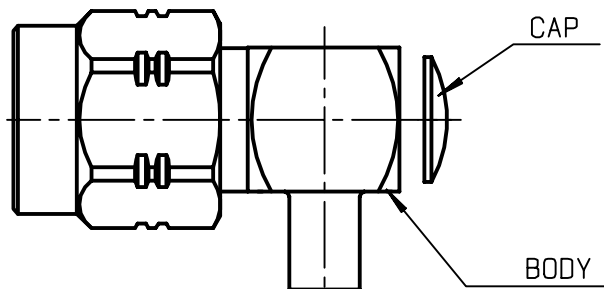
The information given here is subject to change without notice.
Design changes may be in order to improve the product .

TRIQUES



R124.153.003

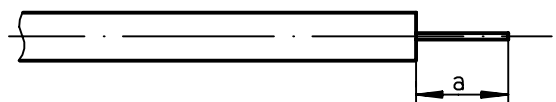
ISSUE **9847A00** SERIES **SMA-COM**



We recommend a cable thermal preconditionning before assembly.

①

Strip the cable .
Stripping tool R 282.051.000
Positioner R 282.063.000



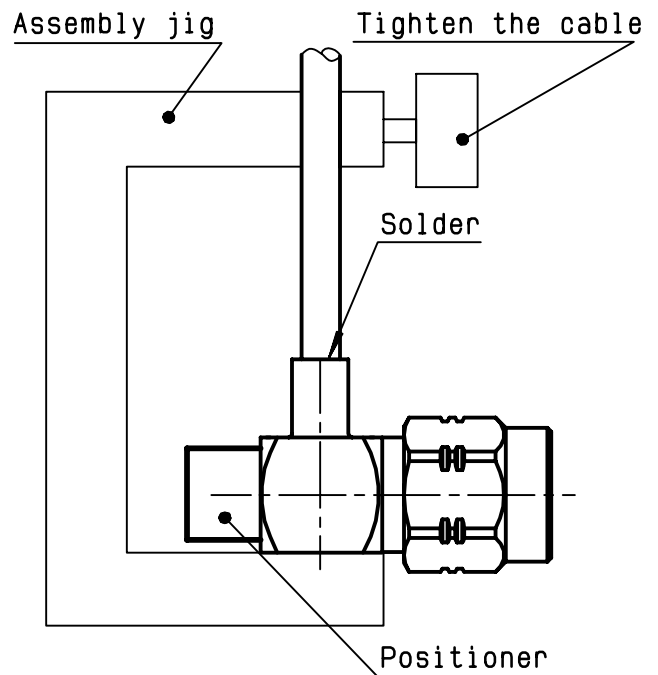
Stripping	a	b	c	d	e
inch	0.125 0	0	0	0	0
mm	3.17				

②

2-1 Introduce the cable into the connector body until it stops. Place the sub assembly into the assembly jig R 282.740.000 (or equivalent) with positioner R 282.744.201 and tighten it.

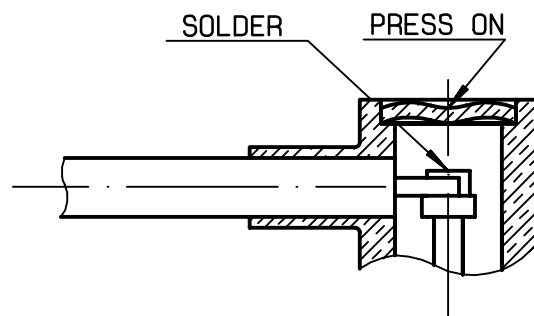
2-2 Solder the body onto the cable.

2-3 Let the assembly cool down before removing it from the jig .



③

3-1 Solder inner conductor.
3-2 Put the cap in its place.
3-3 Press cap flush or slightly below surface of body assembly.



X-ON Electronics

Largest Supplier of Electrical and Electronic Components

Click to view similar products for [RF Connectors / Coaxial Connectors](#) category:

Click to view products by [Radiall](#) manufacturer:

Other Similar products are found below :

[8915-1511-000](#) [89674-0827](#) [6001-7071-019](#) [6002-7051-003](#) [6002-7551-202](#) [6059674-1](#) [619550-1](#) [630059-000](#) [M39030/3-01N](#) [6500-7071-046](#) [6769](#) [CX050L2AQ](#) [7002-1541-010](#) [7002-1542-011](#) [7004-1512-000](#) [7009-1511-004](#) [7010-1511-000](#) [7029-1511-060](#) [7101-1541-010](#) [7101-1571-002](#) [7145-1521-002](#) [7203-1571-003](#) [7209-1511-011](#) [7210-1511-015](#) [7210-1511-019](#) [73137-5015](#) [73216-2241](#) [73404-2300](#) [7405-1521-005](#) [7405-1521-802](#) [8527](#) [8547](#) [FS11V](#) [877931](#) [8808-1511-001](#) [9074-9513-000](#) [9101-9573-002](#) [910A205F](#) [9130-9573-002](#) [PL11SC-026](#) [PL375-33](#) [PL40-5](#) [PL74C-221](#) [PL75MC-217](#) [PL803-7](#) [1200690078](#) [1-201144-1](#) [R107003010W](#) [R110A172100](#) [R112186000](#)