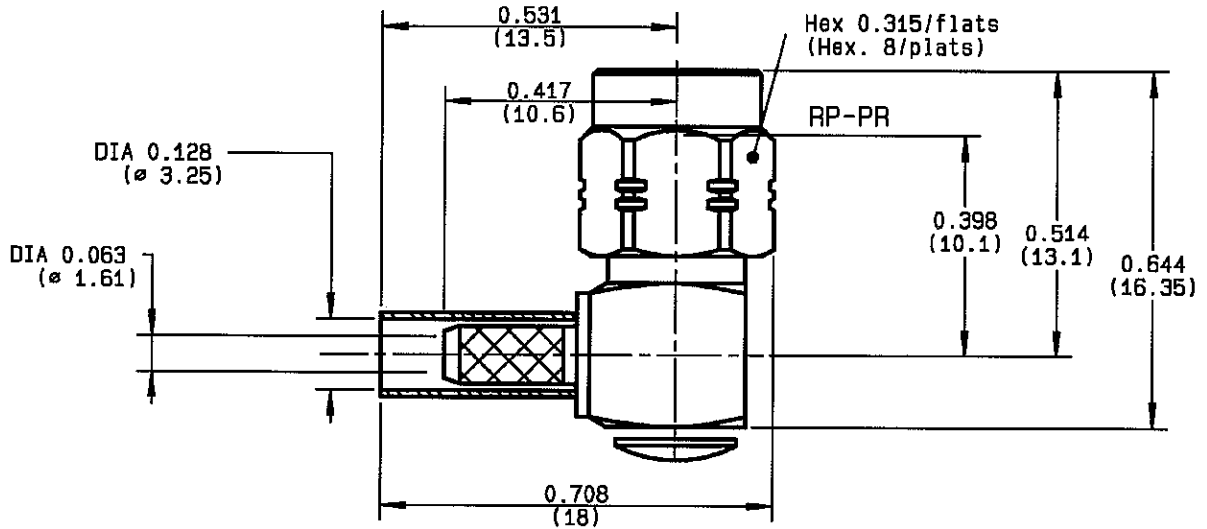


**RIGHT ANGLE PLUG CRIMP TYPE  
CABLE 2.6/50 S**

**R124.172.120**  
**SERIES SMA-COM**



|                                 |                                  |
|---------------------------------|----------------------------------|
| NOMINAL IMPEDANCE               | <b>50</b> Ω                      |
| FREQUENCY RANGE                 | <b>0-12.4</b> GHz                |
| TEMPERATURE RATING              | <b>-65/+165</b> °C               |
| V.S.W.R                         | <b>1.15 + .03 x F(GHz)Maxi</b>   |
| RF INSERTION LOSS               | <b>0.05 √F(GHz) dB Maxi</b>      |
| VOLTAGE RATING                  | <b>250</b> V <sub>eff</sub> Maxi |
| DIELECTRIC WITHSTANDING VOLTAGE | <b>750</b> V <sub>eff</sub> Mini |
| INSULATION RESISTANCE           | <b>5000</b> MΩMini               |
| HERMETIC SEAL                   | <b>NA</b> Atm.cm <sup>3</sup> /s |
| LEAKAGE (pressurized only)      | <b>NA</b>                        |
| MECHANICAL DURABILITY           | <b>100</b> Cycles                |
| WEIGHT                          | <b>4.75</b> gr                   |
| SPECIFICATION                   |                                  |

CABLES : **KX 22A**  
**RG 188**  
**RG 316**

OTHERS CHARACTERISTICS

|                            |                     |
|----------------------------|---------------------|
| CABLE RETENTION            | <b>90</b> N Mini    |
| CENTER CONTACT RETENTION   |                     |
| Axial force - mating end   | <b>27</b> N Mini    |
| Axial force - opposite end | <b>27</b> N Mini    |
| Torque                     | <b>NA</b> cm.N Mini |
| RECOMMENDED TORQUES        |                     |
| Mating                     | <b>60</b> cm.N      |
| Panel nut                  | <b>NA</b> cm.N      |
| Clamp nut                  | <b>NA</b> cm.N      |

| CONNECTOR PARTS | MATERIALS | FINISH                   | (all values are given in micrometers) |
|-----------------|-----------|--------------------------|---------------------------------------|
| BODY            | BRASS     | BBR 2                    |                                       |
| OUTER CONTACT   |           |                          |                                       |
| CENTER CONTACT  | BRASS     | GOLD 1.3 OVER COPPER 2.5 |                                       |
| INSULATOR       | PTFE      | -                        |                                       |
| GASKET          |           | -                        |                                       |
| OTHERS PIECES   | BRASS     | BBR 2                    |                                       |

TRIQUES

ISSUE  
**0708E**

CREATION DATE  
**30/06/1993**

FILE PART-NUMBER  
**EPC 97-03**



**RADIALL®**

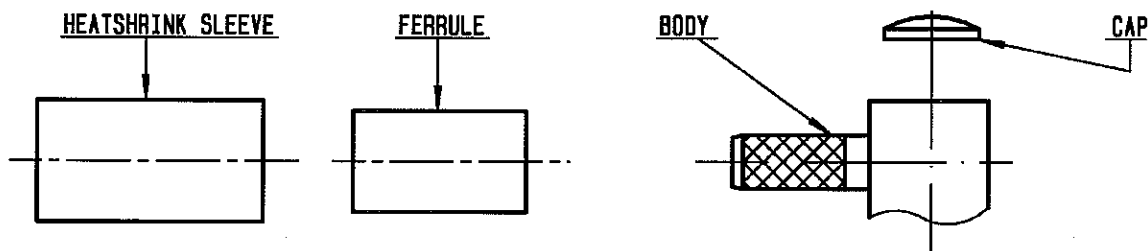
The information given here is subject to change without notice.  
Design changes may be in order to improve the product.

*Connect to the future*



**R124.172.120**

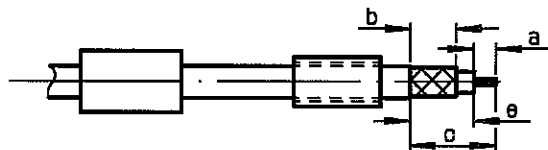
ISSUE **0708E** SERIES **SMA-COM**



①

Slide heatshrink sleeve (R280.637.020 - Option) and the ferrule onto cable .  
Strip the cable .

-  
-

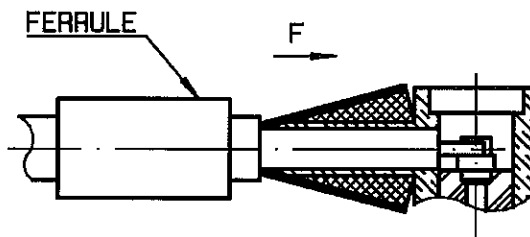


| Stripping | a     | b     | c     | d | e     |
|-----------|-------|-------|-------|---|-------|
| inch      | 0.079 | 0.256 | 0.472 | 0 | 0.394 |
| mm        | 2     | 6.5   | 12    |   | 10    |

②

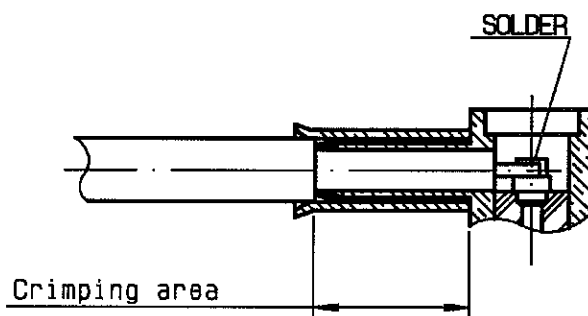
Fan the braid .  
Push connector body under the braid .  
Slide ferrule over braid  
( in direction F )

-  
-



③

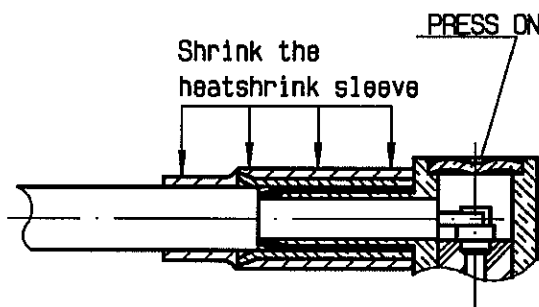
Crimp the ferrule with crimping tool R282 211 000 ( Hex. : 0.128 ) or crimping tool R 282 293 000 ( M22520/5-01 ) + dies R 282 295 003 ( M22520/5-03 )  
Solder inner conductor .



④

Place the cap into body .  
Press cap flush or slightly below surface of body assembly .  
Slide sleeve over ferrule and heatshrink in place (Option) .

-  
-  
-



TRIGUES

## X-ON Electronics

Largest Supplier of Electrical and Electronic Components

*Click to view similar products for [RF Connectors / Coaxial Connectors](#) category:*

*Click to view products by [Radiall](#) manufacturer:*

Other Similar products are found below :

[8915-1511-000](#) [89674-0827](#) [6001-7071-019](#) [6002-7051-003](#) [6002-7551-202](#) [6059674-1](#) [619550-1](#) [630059-000](#) [M39030/3-01N](#) [6500-7071-046](#) [6769](#) [CX050L2AQ](#) [7002-1541-010](#) [7002-1542-011](#) [7004-1512-000](#) [7009-1511-004](#) [7010-1511-000](#) [7029-1511-060](#) [7101-1541-010](#) [7101-1571-002](#) [7145-1521-002](#) [7203-1571-003](#) [7209-1511-011](#) [7210-1511-015](#) [7210-1511-019](#) [73137-5015](#) [73216-2241](#) [73404-2300](#) [7405-1521-005](#) [7405-1521-802](#) [8527](#) [8547](#) [FS11V](#) [877931](#) [8808-1511-001](#) [9049-9513-000](#) [9074-9513-000](#) [9101-9573-002](#) [910A205F](#) [9130-9573-002](#) [PL11SC-026](#) [PL375-33](#) [PL40-5](#) [PL74C-221](#) [PL75MC-217](#) [PL803-7](#) [1200690078](#) [1-201144-1](#) [R107003010W](#) [R110A172100](#)