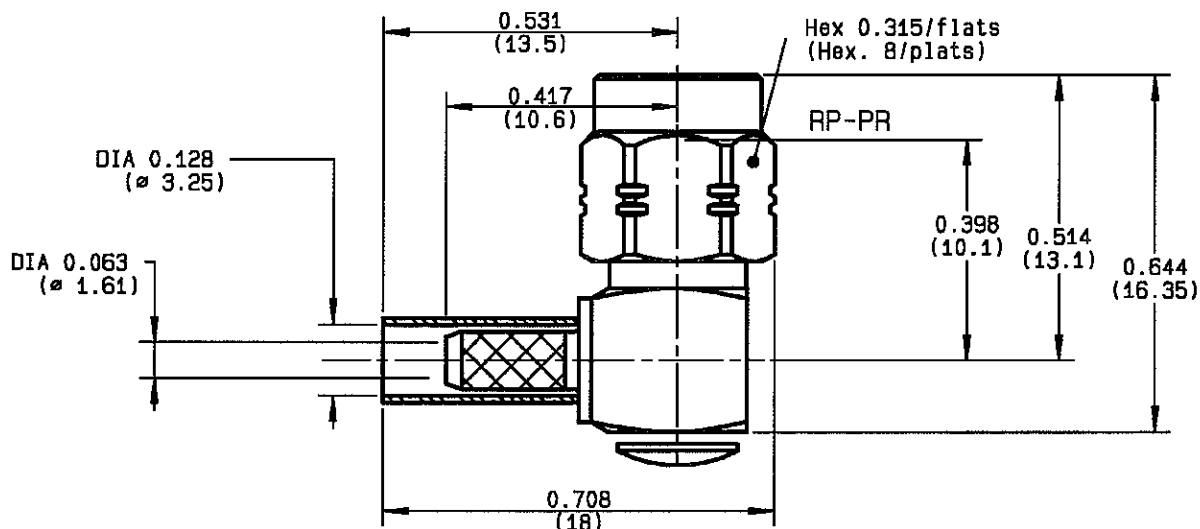


**RIGHT ANGLE PLUG CRIMP TYPE
CABLE 2.6/50 S**

R124.172.123
SERIES SMA-COM



NOMINAL IMPEDANCE	50 Ω	CABLES : KX 22A
FREQUENCY RANGE	0-12.4 GHz	RS 188
TEMPERATURE RATING	-65/+165 °C	RS 31B
V.S.W.R	1.15 + .03 x F(GHz)Maxi	
RF INSERTION LOSS	0.05 \sqrt{F} (GHz) dB Maxi	
VOLTAGE RATING	250 Veff Maxi	
DIELECTRIC WITHSTANDING VOLTAGE	750 Veff Mini	
INSULATION RESISTANCE	5000 M Ω Mini	OTHERS CHARACTERISTICS
HERMETIC SEAL	NA Atm.cm ³ /s	CABLE RETENTION
LEAKAGE (pressurized only)	NA	CENTER CONTACT RETENTION
MECHANICAL DURABILITY	100 Cycles	Axial force - mating end
WEIGHT	4.75 gr	Axial force - opposite end
SPECIFICATION		Torque
		RECOMMENDED TORQUES
		Mating
		Panel nut
		Clamp nut

CONNECTOR PARTS:	MATERIALS	FINISH	(all values are given in micrometers)
BODY	BRASS	GOLD 0.2 OVER NICKEL 2	
OUTER CONTACT			
CENTER CONTACT	BRASS	GOLD 1.3 OVER COPPER 2.5	
INSULATOR	PTFE	-	
GASKET		-	
OTHERS PIECES	BRASS	GOLD 0.2 OVER NICKEL 2	

ISSUE
0708E

CREATION DATE
30/06/1993

FILE PART-NUMBER
EPC 97-03



RADIALL®

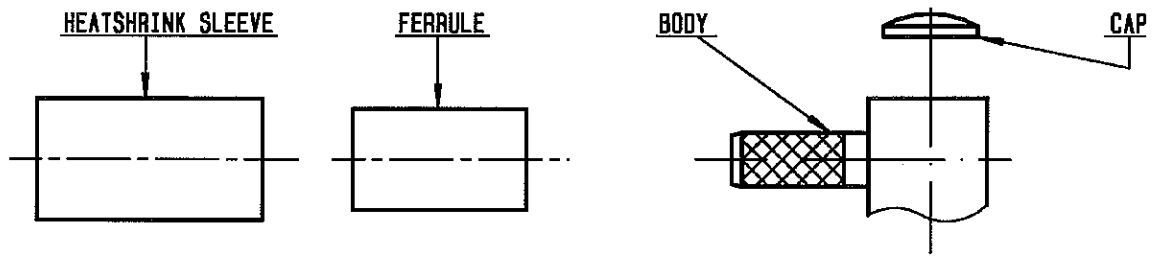
TRIGUES E.

The information given here is subject to change without notice.
Design changes may be in order to improve the product.

Connect to the future

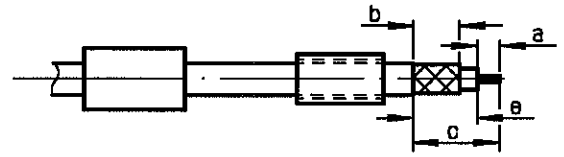


R124.172.123
 ISSUE 0708E SERIES SMA-COM



①

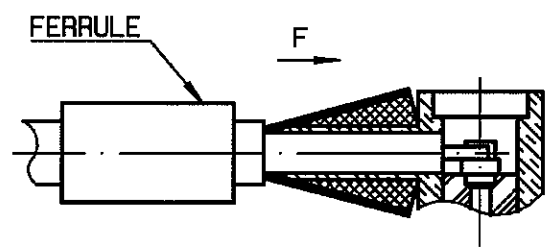
Slide heatshrink sleeve (R280.637.020 - Option) and the ferrule onto cable .
 Strip the cable .
 -
 -



Stripping	a	b	c	d	e
inch	0.079	0.256	0.472	0	0.394
mm	2	6.5	12		10

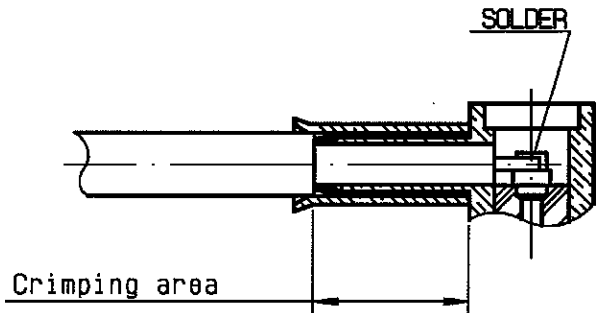
②

Fan the braid .
 Push connector body under the braid .
 Slide ferrule over braid
 (in direction F)
 -
 -



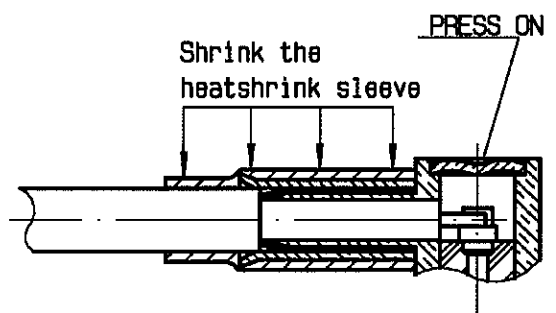
③

Crimp the ferrule with crimping tool R282 211 000 (Hex. : 0.128) or crimping tool R 282 293 000 (M22520/5-01) + dies R 282 235 003 (M22520/5-03)
 Solder inner conductor .



④

Place the cap into body.
 Press cap flush or slightly below surface of body assembly .
 Slide sleeve over ferrule and heatshrink in place (Option) .
 -
 -
 -



TRIGUES E.

X-ON Electronics

Largest Supplier of Electrical and Electronic Components

Click to view similar products for [RF Connectors / Coaxial Connectors](#) category:

Click to view products by [Radiall](#) manufacturer:

Other Similar products are found below :

[8915-1511-000](#) [89674-0827](#) [6001-7071-019](#) [6002-7051-003](#) [6002-7551-202](#) [6059674-1](#) [619550-1](#) [630059-000](#) [M39030/3-01N](#) [6500-7071-046](#) [6769](#) [CX050L2AQ](#) [7002-1541-010](#) [7002-1542-011](#) [7004-1512-000](#) [7009-1511-004](#) [7010-1511-000](#) [7029-1511-060](#) [7101-1541-010](#) [7101-1571-002](#) [7145-1521-002](#) [7203-1571-003](#) [7209-1511-011](#) [7210-1511-015](#) [7210-1511-019](#) [73137-5015](#) [73216-2241](#) [73404-2300](#) [7405-1521-005](#) [7405-1521-802](#) [8527](#) [8547](#) [FS11V](#) [877931](#) [8808-1511-001](#) [9049-9513-000](#) [9074-9513-000](#) [9101-9573-002](#) [910A205F](#) [9130-9573-002](#) [PL11SC-026](#) [PL375-33](#) [PL40-5](#) [PL74C-221](#) [PL75MC-217](#) [PL803-7](#) [980-8666-005](#) [1200690078](#) [1-201144-1](#) [R107003010W](#)