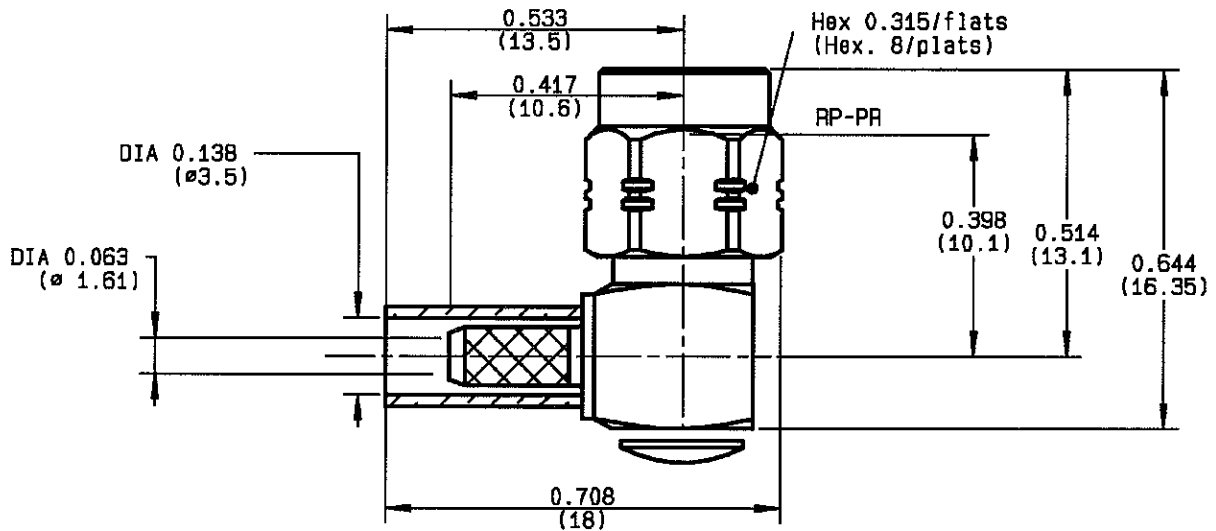


RIGHT ANGLE PLUG CRIMP TYPE CABLE 2.6/50 D	R124.174.120 SERIES SMA-COM
---	--



<table border="0"> <tr><td>NOMINAL IMPEDANCE</td><td style="text-align: center;">50 Ω</td></tr> <tr><td>FREQUENCY RANGE</td><td style="text-align: center;">0-12.4 GHz</td></tr> <tr><td>TEMPERATURE RATING</td><td style="text-align: center;">-65/+165 °C</td></tr> <tr><td>V.S.W.R</td><td style="text-align: center;">1.15 + .03 x F(GHz)Maxi</td></tr> <tr><td>RF INSERTION LOSS</td><td style="text-align: center;">0.05 √F(GHz) dB Maxi</td></tr> <tr><td>VOLTAGE RATING</td><td style="text-align: center;">250 Veff Maxi</td></tr> <tr><td>DIELECTRIC WITHSTANDING VOLTAGE</td><td style="text-align: center;">750 Veff Mini</td></tr> <tr><td>INSULATION RESISTANCE</td><td style="text-align: center;">5000 MΩMini</td></tr> <tr><td>HERMETIC SEAL</td><td style="text-align: center;">NA Atm.cm³/s</td></tr> <tr><td>LEAKAGE (pressurized only)</td><td style="text-align: center;">NA</td></tr> <tr><td>MECHANICAL DURABILITY</td><td style="text-align: center;">100 Cycles</td></tr> <tr><td>WEIGHT</td><td style="text-align: center;">5.14 gr</td></tr> <tr><td>SPECIFICATION</td><td></td></tr> </table>	NOMINAL IMPEDANCE	50 Ω	FREQUENCY RANGE	0-12.4 GHz	TEMPERATURE RATING	-65/+165 °C	V.S.W.R	1.15 + .03 x F(GHz)Maxi	RF INSERTION LOSS	0.05 √F(GHz) dB Maxi	VOLTAGE RATING	250 Veff Maxi	DIELECTRIC WITHSTANDING VOLTAGE	750 Veff Mini	INSULATION RESISTANCE	5000 MΩMini	HERMETIC SEAL	NA Atm.cm ³ /s	LEAKAGE (pressurized only)	NA	MECHANICAL DURABILITY	100 Cycles	WEIGHT	5.14 gr	SPECIFICATION		<p>CABLES : K02252D RD 316</p> <p>OTHERS CHARACTERISTICS</p> <table border="0"> <tr><td>CABLE RETENTION</td><td style="text-align: right;">110 N Mini</td></tr> <tr><td>CENTER CONTACT RETENTION</td><td></td></tr> <tr><td> Axial force - mating end</td><td style="text-align: right;">27 N Mini</td></tr> <tr><td> Axial force - opposite end</td><td style="text-align: right;">27 N Mini</td></tr> <tr><td> Torque</td><td style="text-align: right;">NA cm.N Mini</td></tr> <tr><td>RECOMMENDED TORQUES</td><td></td></tr> <tr><td> Mating</td><td style="text-align: right;">60 cm.N</td></tr> <tr><td> Panel nut</td><td style="text-align: right;">NA cm.N</td></tr> <tr><td> Clamp nut</td><td style="text-align: right;">NA cm.N</td></tr> </table>	CABLE RETENTION	110 N Mini	CENTER CONTACT RETENTION		Axial force - mating end	27 N Mini	Axial force - opposite end	27 N Mini	Torque	NA cm.N Mini	RECOMMENDED TORQUES		Mating	60 cm.N	Panel nut	NA cm.N	Clamp nut	NA cm.N
NOMINAL IMPEDANCE	50 Ω																																												
FREQUENCY RANGE	0-12.4 GHz																																												
TEMPERATURE RATING	-65/+165 °C																																												
V.S.W.R	1.15 + .03 x F(GHz)Maxi																																												
RF INSERTION LOSS	0.05 √F(GHz) dB Maxi																																												
VOLTAGE RATING	250 Veff Maxi																																												
DIELECTRIC WITHSTANDING VOLTAGE	750 Veff Mini																																												
INSULATION RESISTANCE	5000 MΩMini																																												
HERMETIC SEAL	NA Atm.cm ³ /s																																												
LEAKAGE (pressurized only)	NA																																												
MECHANICAL DURABILITY	100 Cycles																																												
WEIGHT	5.14 gr																																												
SPECIFICATION																																													
CABLE RETENTION	110 N Mini																																												
CENTER CONTACT RETENTION																																													
Axial force - mating end	27 N Mini																																												
Axial force - opposite end	27 N Mini																																												
Torque	NA cm.N Mini																																												
RECOMMENDED TORQUES																																													
Mating	60 cm.N																																												
Panel nut	NA cm.N																																												
Clamp nut	NA cm.N																																												

CONNECTOR PARTS	MATERIALS	FINISH	(all values are given in micrometers)
BODY	BRASS	BBR 2	
OUTER CONTACT			
CENTER CONTACT	BRASS	GOLD 1.3 OVER COPPER 2.5	
INSULATOR	PTFE	-	
GASKET		-	
OTHERS PIECES	BRASS	BBR 2	

ISSUE 0708E	CREATION DATE 30/09/1993	FILE PART-NUMBER EPC 97-03
-----------------------	------------------------------------	--------------------------------------



TRIQUES

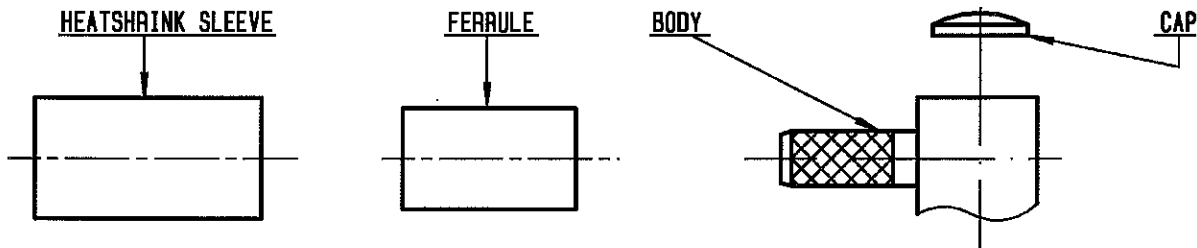
The information given here is subject to change without notice. Design changes may be in order to improve the product.

Connect to the future



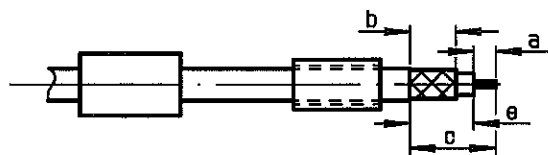
R124.174.120

ISSUE **0708E** SERIES **SMA-COM**



①

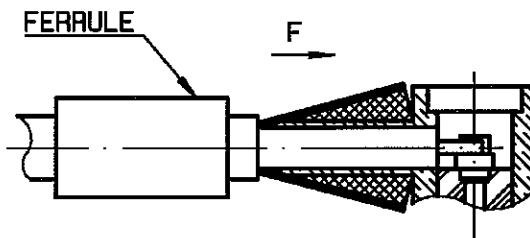
Slide heatshrink sleeve (R280.637.020 - Option) and the ferrule onto cable .
Strip the cable .



Stripping	a	b	c	d	e
inch	0.079	0.256	0.472	0	0.394
mm	2	6.5	12		10

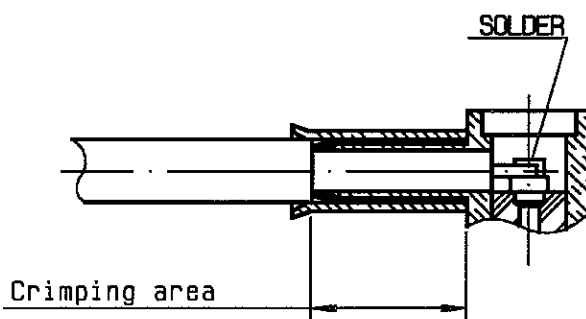
②

Fan the braid .
Push connector body under the braid .
Slide ferrule over braid
(in direction F)



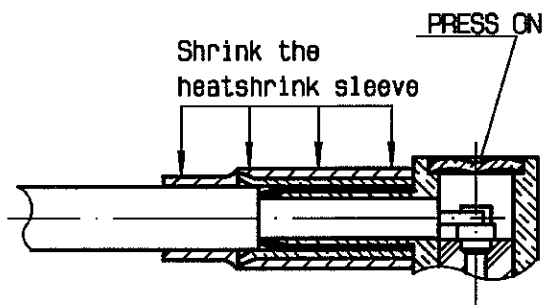
③

Crimp the ferrule with crimping tool R282 271 000 (Hex. : 0.151) or crimping tool R 282 293 000 (M22520/5-01) + dies R 282 235 037 (M22520/5-37)
Solder inner conductor .



④

Place the cap into body.
Press cap flush or slightly below surface of body assembly .
Slide sleeve over ferrule and heatshrink in place (Option) .



TRIQUES

X-ON Electronics

Largest Supplier of Electrical and Electronic Components

Click to view similar products for [RF Connectors / Coaxial Connectors](#) category:

Click to view products by [Radiall](#) manufacturer:

Other Similar products are found below :

[8915-1511-000](#) [89674-0827](#) [6001-7071-019](#) [6002-7051-003](#) [6002-7551-202](#) [6059674-1](#) [619550-1](#) [630059-000](#) [M39030/3-01N](#) [6500-7071-046](#) [6769](#) [CX050L2AQ](#) [7002-1541-010](#) [7002-1542-011](#) [7004-1512-000](#) [7009-1511-004](#) [7010-1511-000](#) [7029-1511-060](#) [7101-1541-010](#) [7101-1571-002](#) [7145-1521-002](#) [7203-1571-003](#) [7209-1511-011](#) [7210-1511-015](#) [7210-1511-019](#) [73137-5015](#) [73216-2241](#) [73404-2300](#) [7405-1521-005](#) [7405-1521-802](#) [8527](#) [8547](#) [FS11V](#) [877931](#) [8808-1511-001](#) [9049-9513-000](#) [9074-9513-000](#) [9101-9573-002](#) [910A205F](#) [9130-9573-002](#) [PL11SC-026](#) [PL375-33](#) [PL40-5](#) [PL74C-221](#) [PL75MC-217](#) [PL803-7](#) [980-8666-005](#) [1200690078](#) [1-201144-1](#) [R107003010W](#)