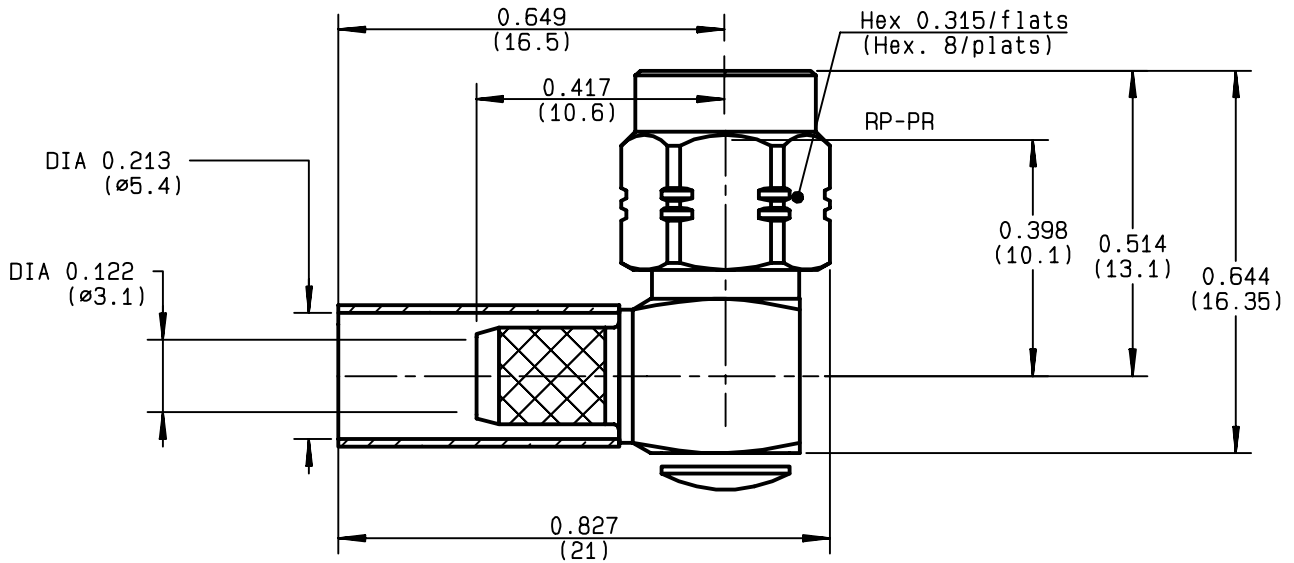


**RIGHT ANGLE PLUG CRIMP TYPE
CABLE 5/50 S**

R124.175.123
SERIES SMA-COM



NOMINAL IMPEDANCE	50 Ω	CABLES : KX 15
FREQUENCY RANGE	0-12.4 GHz	RG 141
TEMPERATURE RATING	-65/+165 °C	RG 58
V.S.W.R	1.15 + .02 x F(GHz)Maxi	
RF INSERTION LOSS	0.05 √F(GHz) dB Maxi	
VOLTAGE RATING	335 Veff Maxi	
DIELECTRIC WITHSTANDING VOLTAGE	1000 Veff Mini	
INSULATION RESISTANCE	5000 MΩMini	OTHERS CHARACTERISTICS
HERMETIC SEAL	NA Atm.cm ³ /s	CABLE RETENTION 180 N Mini
LEAKAGE (pressurized only)	NA	CENTER CONTACT RETENTION
MECHANICAL DURABILITY	100 Cycles	Axial force - mating end 27 N Mini
WEIGHT	5.5 gr	Axial force - opposite end 27 N Mini
SPECIFICATION		Torque NA cm.N Mini
		RECOMMENDED TORQUES
		Mating 60 cm.N
		Panel nut NA cm.N
		Clamp nut NA cm.N

CONNECTOR PARTS	MATERIALS	FINISH
BODY	BRASS	GOLD 0.2 OVER NICKEL 2
OUTER CONTACT		
CENTER CONTACT	BRASS	GOLD 1.3 OVER COPPER 2.5
INSULATOR	PTFE	-
GASKET		-
OTHERS PIECES	BRASS	GOLD 0.2 OVER NICKEL 2

(all values are given in micrometers)

ISSUE 9847D00	CREATION DATE 30/06/1993	FILE PART-NUMBER EPC 97-03
-------------------------	------------------------------------	--------------------------------------



Connect to the future

The information given here is subject to change without notice.
Design changes may be in order to improve the product.

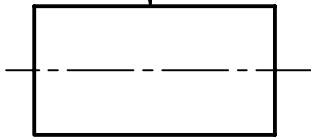
TRIQUES E.



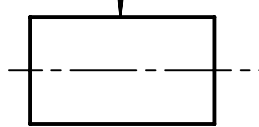
R124.175.123

ISSUE **9847D00** SERIES **SMA-COM**

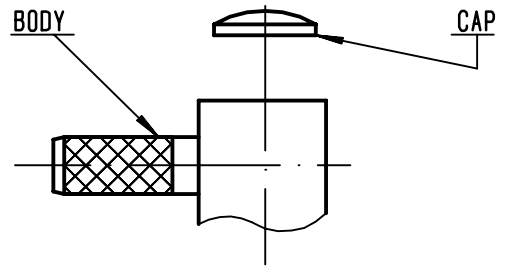
HEATSHRINK SLEEVE



FERRULE



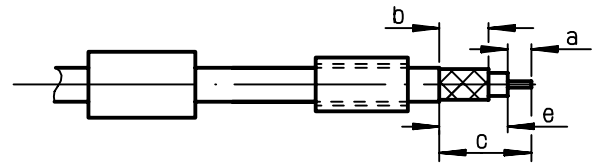
BODY



①

Slide heatshrink sleeve (R280.637.030 - Option) and the ferrule onto cable .
Strip the cable .

-
-

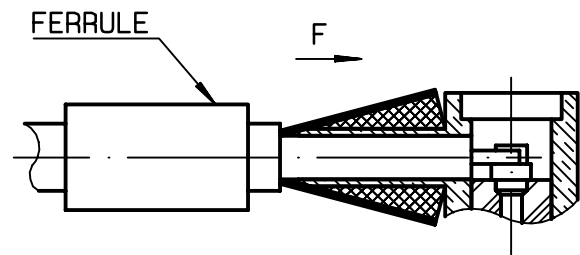


Stripping	a	b	c	d	e
inch	0.079	0.256	0.472	0	0.394
mm	2	6.5	12		10

②

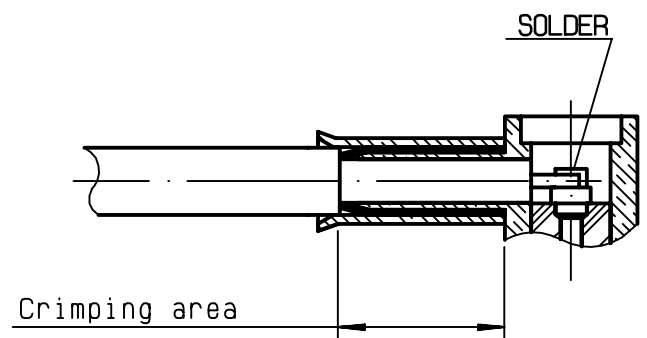
Fan the braid .
Push connector body under the braid .
Slide ferrule over braid
(in direction F)

-
-



③

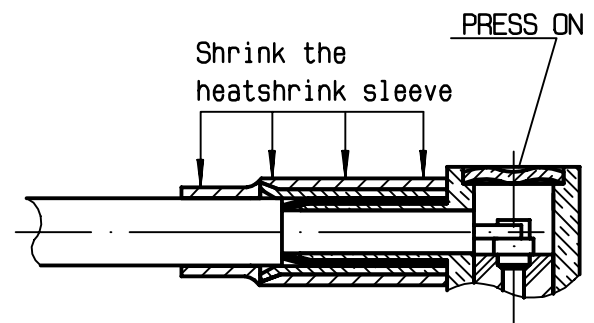
Crimp the ferrule with crimping tool R282 223 000 (Hex. : 0.212) or crimping tool R 282 293 000 (M22520/5-01) + dies R 282 235 011 (M22520/5-11)
Solder inner conductor .



④

Place the cap into body.
Press cap flush or slightly below surface of body assembly .
Slide sleeve over ferrule and heatshrink in place (Option) .

-
-
-



X-ON Electronics

Largest Supplier of Electrical and Electronic Components

Click to view similar products for [radiall](#) manufacturer:

Other Similar products are found below :

[5919-1503-000](#) [7101-1541-010](#) [7105-1561-010](#) [MD11-035](#) [81-6201-0450](#) [9074-9513-000](#) [R113425097](#) [R114305000W](#) [R124075210](#)
[R125055000](#) [R125512000W](#) [R141154000W](#) [R141572000](#) [R143012000](#) [R143235161W](#) [R166268000](#) [R176019000](#) [R191841001W](#)
[R282102000](#) [R282744220](#) [R282918120](#) [R404770000](#) [R413808000](#) [R414430150](#) [R414520150](#) [R433514700](#) [R570022105](#) [R570123005](#)
[R570363010](#) [R570442000](#) [R570E52010](#) [R574402410](#) [R585423230](#) [R114425000](#) [R124510000](#) [R125052500](#) [R125320020W](#) [R141331500W](#)
[R162017000W](#) [R176404000](#) [R191970091](#) [R282750000](#) [R317270000](#) [R404110150](#) [R404280150](#) [R404755000](#) [R413210150](#) [R413303150](#)
[R413830150](#) [R414530150](#)