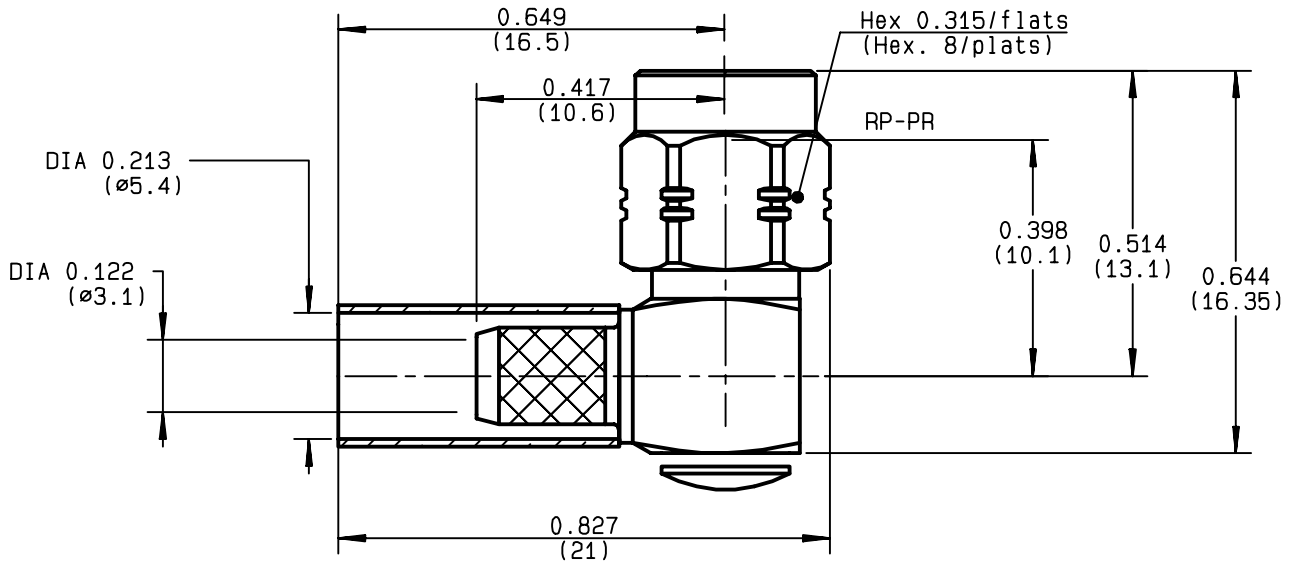


**RIGHT ANGLE PLUG CRIMP TYPE  
CABLE 5/50 S**

**R124.175.123**  
**SERIES SMA-COM**



NOMINAL IMPEDANCE	<b>50</b> Ω	CABLES : <b>KX 15</b>
FREQUENCY RANGE	<b>0-12.4</b> GHz	<b>RG 141</b>
TEMPERATURE RATING	<b>-65/+165</b> °C	<b>RG 58</b>
V.S.W.R	<b>1.15</b> + <b>.02</b> x F(GHz)Maxi	
RF INSERTION LOSS	<b>0.05</b> √F(GHz) dB Maxi	
VOLTAGE RATING	<b>335</b> Veff Maxi	
DIELECTRIC WITHSTANDING VOLTAGE	<b>1000</b> Veff Mini	
INSULATION RESISTANCE	<b>5000</b> MΩMini	OTHERS CHARACTERISTICS
HERMETIC SEAL	<b>NA</b> Atm.cm <sup>3</sup> /s	CABLE RETENTION
LEAKAGE (pressurized only)	<b>NA</b>	<b>180</b> N Mini
MECHANICAL DURABILITY	<b>100</b> Cycles	CENTER CONTACT RETENTION
WEIGHT	<b>5.5</b> gr	Axial force - mating end
SPECIFICATION		<b>27</b> N Mini
		Axial force - opposite end
		<b>27</b> N Mini
		Torque
		<b>NA</b> cm.N Mini
		RECOMMENDED TORQUES
		Mating
		<b>60</b> cm.N
		Panel nut
		<b>NA</b> cm.N
		Clamp nut
		<b>NA</b> cm.N

CONNECTOR PARTS	MATERIALS	FINISH
BODY	BRASS	GOLD 0.2 OVER NICKEL 2
OUTER CONTACT		
CENTER CONTACT	BRASS	GOLD 1.3 OVER COPPER 2.5
INSULATOR	PTFE	-
GASKET		-
OTHERS PIECES	BRASS	GOLD 0.2 OVER NICKEL 2

(all values are given in micrometers)

ISSUE	CREATION DATE	FILE PART-NUMBER
<b>9847D00</b>	<b>30/06/1993</b>	<b>EPC 97-03</b>



**RADIALL**®

*Connect to the future*

The information given here is subject to change without notice.  
Design changes may be in order to improve the product.

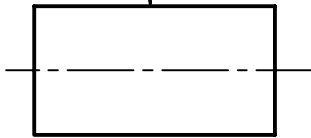
TRIQUES E.



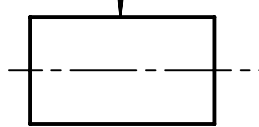
**R124.175.123**

ISSUE 9847D00 SERIES SMA-COM

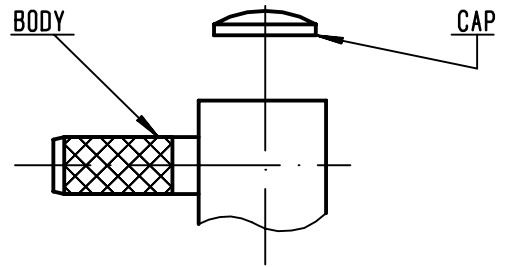
HEATSHRINK SLEEVE



FERRULE



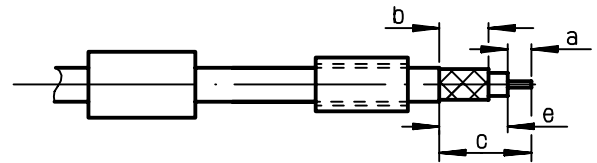
BODY



①

Slide heatshrink sleeve (R280.637.030 - Option) and the ferrule onto cable .  
Strip the cable .

-  
-

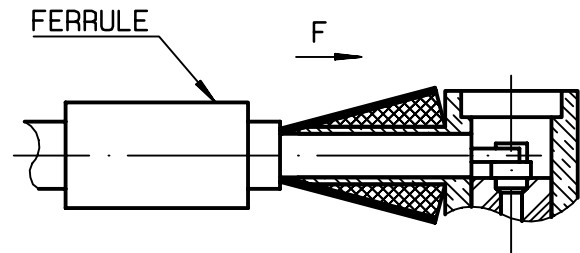


Stripping	a	b	c	d	e
inch	0.079	0.256	0.472	0	0.394
mm	2	6.5	12		10

②

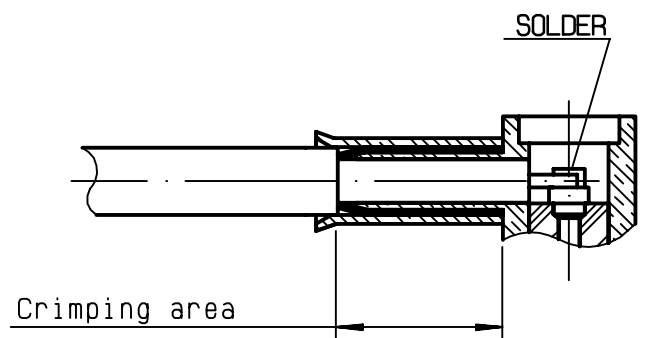
Fan the braid .  
Push connector body under the braid .  
Slide ferrule over braid  
( in direction F )

-  
-



③

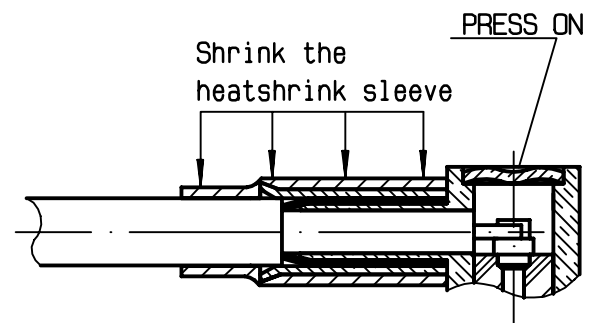
Crimp the ferrule with crimping tool R282 223 000 ( Hex. : 0.212 ) or crimping tool R 282 293 000 ( M22520/5-01 ) + dies R 282 235 011 ( M22520/5-11 )  
Solder inner conductor .



④

Place the cap into body.  
Press cap flush or slightly below surface of body assembly .  
Slide sleeve over ferrule and heatshrink in place (Option) .

-  
-  
-



## X-ON Electronics

Largest Supplier of Electrical and Electronic Components

*Click to view similar products for [RF Connectors / Coaxial Connectors](#) category:*

*Click to view products by [Radiall](#) manufacturer:*

Other Similar products are found below :

[8915-1511-000](#) [89674-0827](#) [6001-7071-019](#) [6002-7051-003](#) [6002-7551-202](#) [6059674-1](#) [619550-1](#) [630059-000](#) [M39030/3-01N](#) [6500-7071-046](#) [6769](#) [CX050L2AQ](#) [7002-1541-010](#) [7002-1542-011](#) [7004-1512-000](#) [7009-1511-004](#) [7010-1511-000](#) [7029-1511-060](#) [7101-1541-010](#) [7101-1571-002](#) [7105-1521-002](#) [7145-1521-002](#) [7203-1571-003](#) [7209-1511-011](#) [7210-1511-015](#) [7210-1511-019](#) [73137-5015](#) [73216-2241](#) [73404-2300](#) [7405-1521-005](#) [7405-1521-802](#) [8527](#) [8547](#) [FS11V](#) [877931](#) [8808-1511-001](#) [9074-9513-000](#) [9101-9573-002](#) [910A205F](#) [9130-9573-002](#) [PL11SC-026](#) [PL375-33](#) [PL40-5](#) [PL74C-221](#) [PL75MC-217](#) [PL803-7](#) [1200690078](#) [1-201144-1](#) [R107003010W](#) [R110A172100](#)