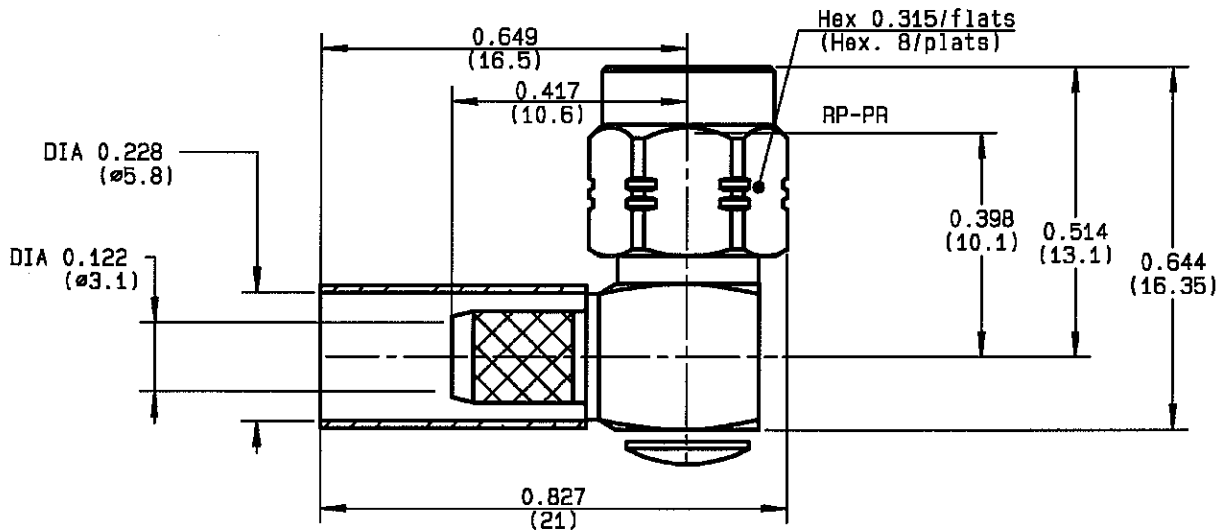


**RIGHT ANGLE PLUG CRIMP TYPE
CABLE 5/50 D**

**R124.176.120
SERIES SMA-COM**



NOMINAL IMPEDANCE	50 Ω	CABLES : KX 23
FREQUENCY RANGE	0-12.4 GHz	RS 142
TEMPERATURE RATING	-65/+165 °C	RS 142 FTX
V.S.W.R	1.15 + .02 x F(GHz)Maxi	RS 223
RF INSERTION LOSS	0.05 √F(GHz) dB Maxi	RS 400
VOLTAGE RATING	335 Veff Maxi	OTHERS CHARACTERISTICS
DIELECTRIC WITHSTANDING VOLTAGE	1000 Veff Mini	CABLE RETENTION
INSULATION RESISTANCE	5000 MΩMini	204 N Mini
HERMETIC SEAL	NA Atm.cm ³ /s	CENTER CONTACT RETENTION
LEAKAGE (pressurized only)	NA	Axial force - mating end
MECHANICAL DURABILITY	100 Cycles	27 N Mini
WEIGHT	6.34 gr	Axial force - opposite end
SPECIFICATION		27 N Mini
		Torque
		NA cm.N Mini
		RECOMMENDED TORQUES
		Mating
		60 cm.N
		Panel nut
		NA cm.N
		Clamp nut
		NA cm.N

CONNECTOR PARTS	MATERIALS	FINISH	(all values are given in micrometers)
BODY	BRASS	BBR 2	
OUTER CONTACT			
CENTER CONTACT	BRASS	GOLD 1.3 OVER COPPER 2.5	
INSULATOR	PTFE	-	
GASKET		-	
OTHERS PIECES	BRASS	BBR 2	

ISSUE
0708F

CREATION DATE
30/09/1993

FILE PART-NUMBER
EPC 97-03



TRIQUES

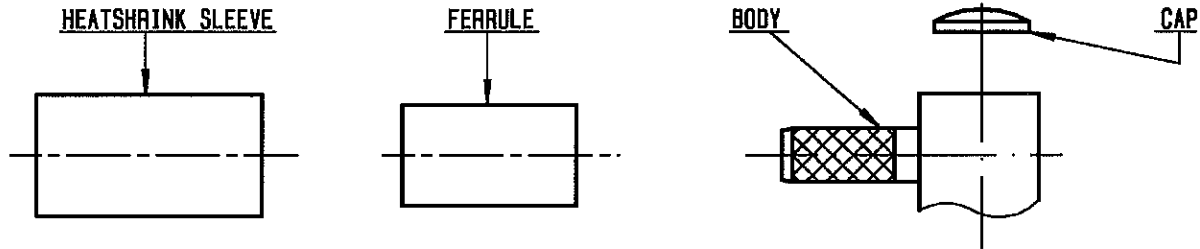
The information given here is subject to change without notice.
Design changes may be in order to improve the product .

Connect to the future



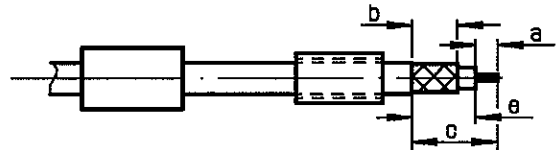
R124.176.120

ISSUE **0708F** SERIES **SMA-COM**



①

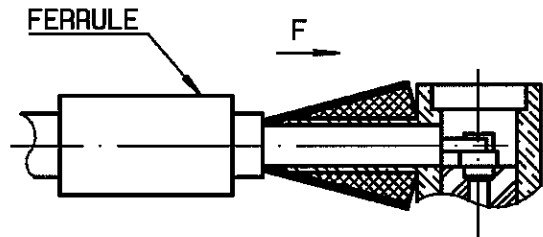
Slide heatshrink sleeve (R280.637.030 - Option) and the ferrule onto cable .
Strip the cable .



Stripping	a	b	c	d	e
inch	0.079	0.256	0.472	0	0.394
mm	2	6.5	12		10

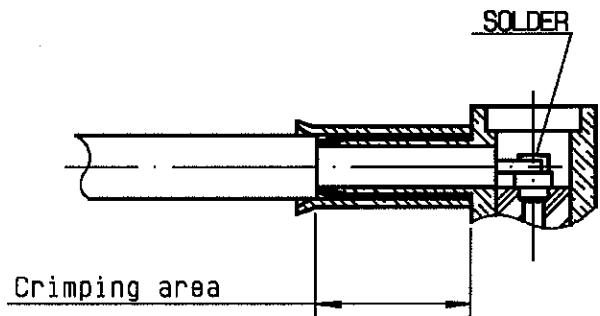
②

Fan the braid .
Push connector body under the braid .
Slide ferrule over braid
(in direction F)



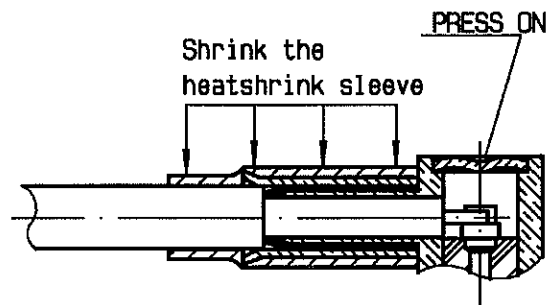
③

Crimp the ferrule with crimping tool R282 223 000 (Hex. : 0.212) or crimping tool R 282 293 000 (M22520/5-01) + dies R 282 235 011 (M22520/5-11)
Solder inner conductor .



④

Place the cap into body.
Press cap flush or slightly below surface of body assembly .
Slide sleeve over ferrule and heatshrink in place (Option) .



TRIQUES

X-ON Electronics

Largest Supplier of Electrical and Electronic Components

Click to view similar products for [RF Connectors / Coaxial Connectors](#) category:

Click to view products by [Radiall](#) manufacturer:

Other Similar products are found below :

[8915-1511-000](#) [89674-0827](#) [6001-7071-019](#) [6002-7051-003](#) [6002-7551-202](#) [6059674-1](#) [619550-1](#) [630059-000](#) [M39030/3-01N](#) [6500-7071-046](#) [6769](#) [CX050L2AQ](#) [7002-1541-010](#) [7002-1542-011](#) [7004-1512-000](#) [7009-1511-004](#) [7010-1511-000](#) [7029-1511-060](#) [7101-1541-010](#) [7101-1571-002](#) [7145-1521-002](#) [7203-1571-003](#) [7209-1511-011](#) [7210-1511-015](#) [7210-1511-019](#) [73137-5015](#) [73216-2241](#) [73404-2300](#) [7405-1521-005](#) [7405-1521-802](#) [8527](#) [8547](#) [FS11V](#) [877931](#) [8808-1511-001](#) [9049-9513-000](#) [9074-9513-000](#) [9101-9573-002](#) [910A205F](#) [9130-9573-002](#) [PL11SC-026](#) [PL375-33](#) [PL40-5](#) [PL74C-221](#) [PL75MC-217](#) [PL803-7](#) [980-8666-005](#) [1200690078](#) [1-201144-1](#) [R107003010W](#)