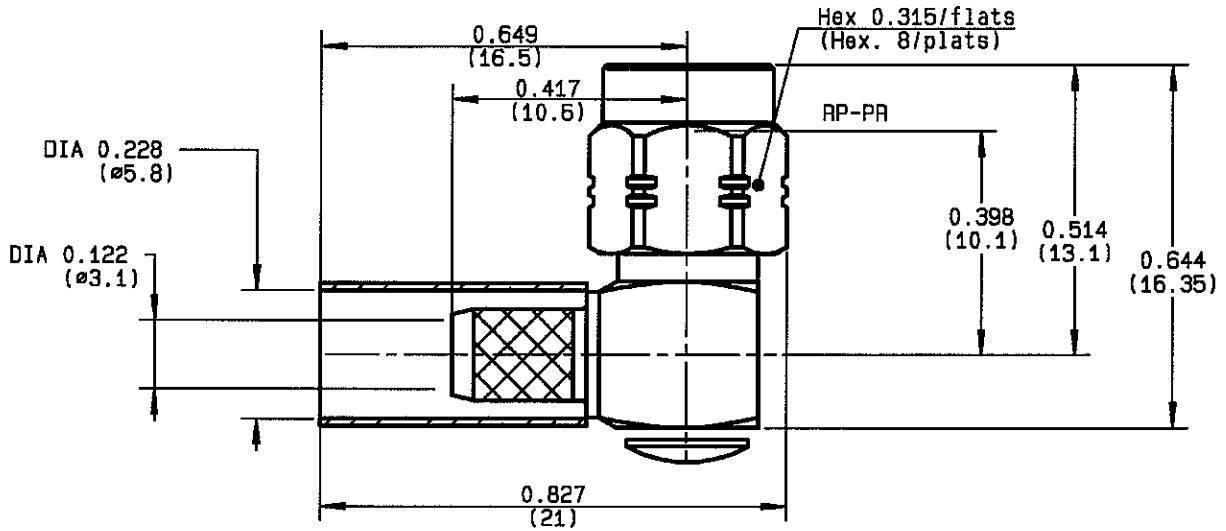


**RIGHT ANGLE PLUG CRIMP TYPE  
CABLE 5/50 D**

**R124.176.123**  
**SERIES SMA-COM**



NOMINAL IMPEDANCE	<b>50</b> $\Omega$
FREQUENCY RANGE	<b>0-12.4</b> GHz
TEMPERATURE RATING	<b>-65/+165</b> °C
V.S.W.R	<b>1.15 + .02 x F(GHz)Maxi</b>
RF INSERTION LOSS	<b>0.05</b> $\sqrt{F}$ (GHz) dB Maxi
VOLTAGE RATING	<b>335</b> V <sub>eff</sub> Maxi
DIELECTRIC WITHSTANDING VOLTAGE	<b>1000</b> V <sub>eff</sub> Mini
INSULATION RESISTANCE	<b>5000</b> M $\Omega$ Mini
HERMETIC SEAL	<b>NA</b> Atm.cm <sup>3</sup> /s
LEAKAGE (pressurized only)	<b>NA</b>
MECHANICAL DURABILITY	<b>100</b> Cycles
WEIGHT	<b>5.2</b> gr
SPECIFICATION	

CABLES : **KX 23**  
**RS 142**  
**RS 142 FTX**  
**RS 223**  
**RS 400**

OTHERS CHARACTERISTICS

CABLE RETENTION	<b>204</b> N Mini
CENTER CONTACT RETENTION	
Axial force - mating end	<b>27</b> N Mini
Axial force - opposite end	<b>27</b> N Mini
Torque	<b>NA</b> cm.N Mini
RECOMMENDED TORQUES	
Mating	<b>60</b> cm.N
Panel nut	<b>NA</b> cm.N
Clamp nut	<b>NA</b> cm.N

CONNECTOR PARTS:	MATERIALS	FINISH	(all values are given in micrometers)
BODY	BRASS	GOLD 0.2 OVER NICKEL 2	
OUTER CONTACT			
CENTER CONTACT	BRASS	GOLD 1.3 OVER COPPER 2.5	
INSULATOR	PTFE	-	
GASKET		-	
OTHERS PIECES	BRASS	GOLD 0.2 OVER NICKEL 2	

ISSUE  
**0708F**

CREATION DATE  
**30/09/1993**

FILE PART-NUMBER  
**EPC 97-03**



**RADIALL®**

TRIQUES

The information given here is subject to change without notice.  
Design changes may be in order to improve the product .

*Connect to the future*



**RADIALL®**

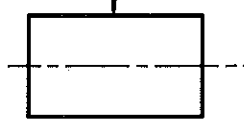
**R124.176.123**

ISSUE **0708F** SERIES **SMA-COM**

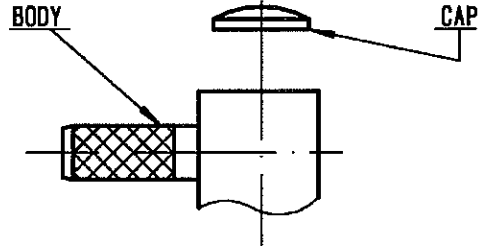
HEATSHRINK SLEEVE



FERRULE

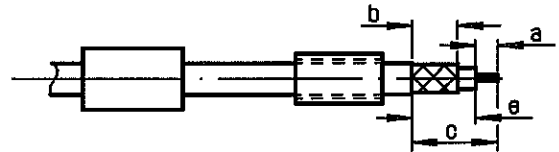


BODY



①

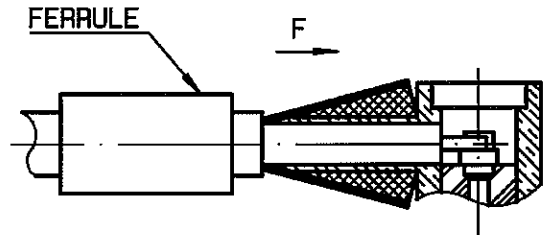
Slide heatshrink sleeve (R280.637.030 - Option) and the ferrule onto cable .  
Strip the cable .



Stripping	a	b	c	d	e
inch	0.079	0.256	0.472	0	0.394
mm	2	6.5	12		10

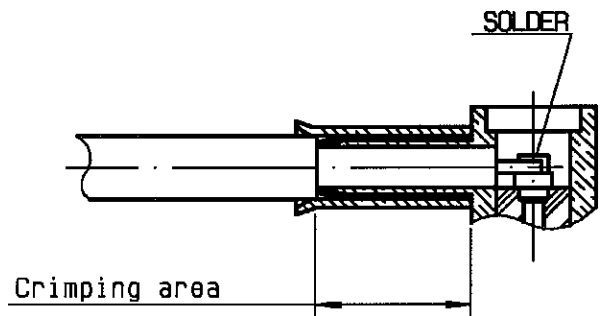
②

Fan the braid .  
Push connector body under the braid .  
Slide ferrule over braid  
( in direction F )



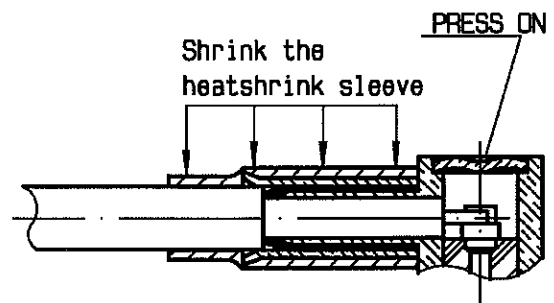
③

Crimp the ferrule with crimping tool R282 223 000 ( Hex. : 0.212 ) or crimping tool R 282 293 000 ( M22520/5-01 ) + dies R 282 235 011 ( M22520/5-11 )  
Solder inner conductor .



④

Place the cap into body.  
Press cap flush or slightly below surface of body assembly .  
Slide sleeve over ferrule and heatshrink in place (Option) .



TRIQUES

## X-ON Electronics

Largest Supplier of Electrical and Electronic Components

*Click to view similar products for [RF Connectors / Coaxial Connectors](#) category:*

*Click to view products by [Radiall](#) manufacturer:*

Other Similar products are found below :

[8915-1511-000](#) [89674-0827](#) [6001-7071-019](#) [6002-7051-003](#) [6002-7551-202](#) [6059674-1](#) [619550-1](#) [630059-000](#) [M39030/3-01N](#) [6500-7071-046](#) [6769](#) [CX050L2AQ](#) [7002-1541-010](#) [7002-1542-011](#) [7004-1512-000](#) [7009-1511-004](#) [7010-1511-000](#) [7029-1511-060](#) [7101-1541-010](#) [7101-1571-002](#) [7105-1521-002](#) [7145-1521-002](#) [7203-1571-003](#) [7209-1511-011](#) [7210-1511-015](#) [7210-1511-019](#) [73137-5015](#) [73216-2241](#) [73404-2300](#) [7405-1521-005](#) [7405-1521-802](#) [8527](#) [8547](#) [FS11V](#) [877931](#) [8808-1511-001](#) [9074-9513-000](#) [9101-9573-002](#) [910A205F](#) [9130-9573-002](#) [PL11SC-026](#) [PL375-33](#) [PL40-5](#) [PL74C-221](#) [PL75MC-217](#) [PL803-7](#) [1200690078](#) [1-201144-1](#) [R107003010W](#) [R110A172100](#)