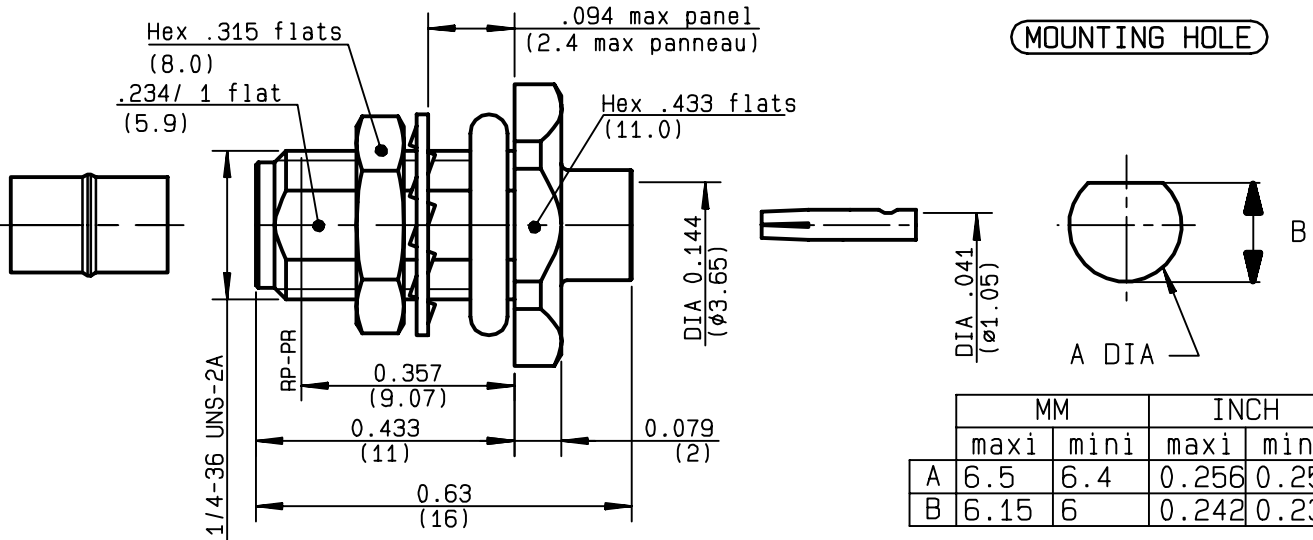


STRAIGHT BULKHEAD JACK PANEL SEAL
SOLDER TYPE - CABLE .141

R124.325.003
SERIES SMA-COM



	MM		INCH	
	maxi	mini	maxi	mini
A	6.5	6.4	0.256	0.252
B	6.15	6	0.242	0.236

NOMINAL IMPEDANCE	50 Ω
FREQUENCY RANGE	0-18 GHz
TEMPERATURE RATING	-65/+105 °C
V.S.W.R	1.05 + .01 x F(GHz)Maxi
RF INSERTION LOSS	0.05 √F(GHz) dB Maxi
VOLTAGE RATING	500 Veff Maxi
DIELECTRIC WITHSTANDING VOLTAGE	1000 Veff Mini
INSULATION RESISTANCE	5000 MΩMini
HERMETIC SEAL	NA Atm.cm ³ /s
LEAKAGE (pressurized only)	NA
MECHANICAL DURABILITY	100 Cycles
WEIGHT	3.6 gr
SPECIFICATION	

CABLES : KS 2 RG 402	
OTHERS CHARACTERISTICS	
CABLE RETENTION	270 N Mini
CENTER CONTACT RETENTION	
Axial force - mating end	NA N Mini
Axial force - opposite end	NA N Mini
Torque	NA cm.N Mini
RECOMMENDED TORQUES	
Mating	NA cm.N
Panel nut	150 cm.N
Clamp nut	NA cm.N

CONNECTOR PARTS:	MATERIALS	FINISH	(all values are given) in micrometers
BODY	BRASS	GOLD 0.2 OVER NICKEL 2	
OUTER CONTACT			
CENTER CONTACT	BERYLLIUM COPPER	GOLD 1.3 OVER COPPER 2.5	
INSULATOR	PTFE	-	
GASKET	SILICONE RUBBER	-	
OTHERS PIECES	BRASS	GOLD 0.2 OVER NICKEL 2	

ISSUE	CREATION DATE	FILE PART-NUMBER
9847C00	23/09/1996	96-1200-090



PERRIN

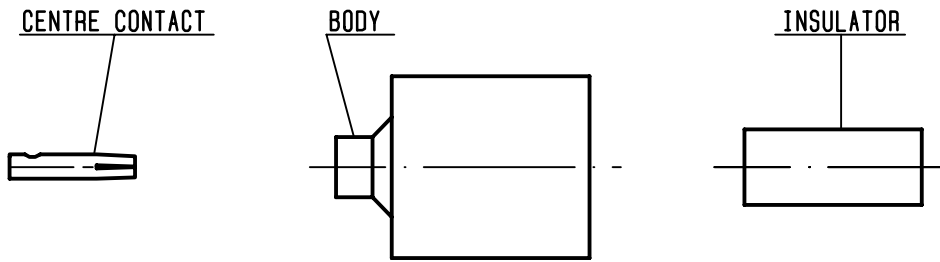
The information given here is subject to change without notice.
Design changes may be in order to improve the product .

Connect to the future



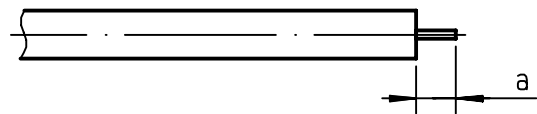
R124.325.003

ISSUE 9847C00 SERIES SMA-COM



①

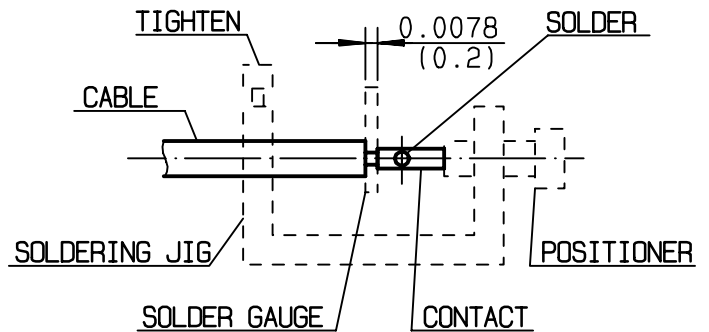
Take the tool kit : R282.120.000
Strip the dielectric of the cable .
Stripping tool cable : R282.053.000
Trimmer : R282.067.000
Clean the cable .
-



Stripping	a	b	c	d	e
inch	0.125 0	0	0	0	0
mm	3.17				

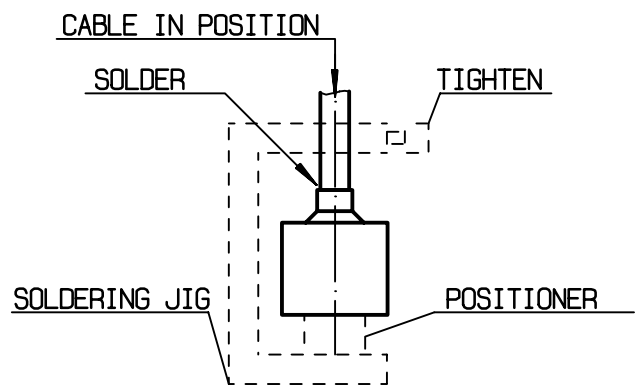
②

Screw the positioner R282.744.220 onto the soldering jig R282.740.000
Slide contact into positioner .
Insert solder gauge R282.862.060 between contact and cable .
Tighten and solder the contact .



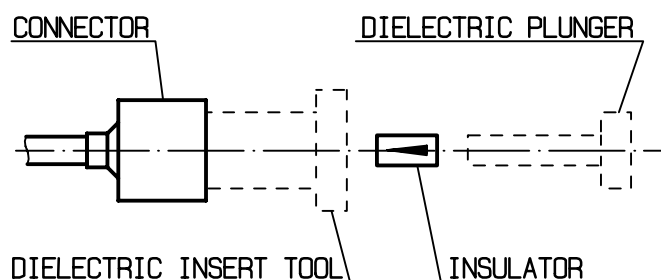
③

After cooling remove cable assembly from the jig .
Screw positioner R282.744.011 into the connector .
Slide cable into the connector until it bottoms againsts positioner R282.744.011 .
Tighten .
Put 3 rings of solder around the cable and solder .



④

After cooling remove cable assembly from the jig .
Screw positioner cut R282.914.010
Cut the dielectric flush to clamp braid sleeve with tool R282.915.010.
Screw female dielectric insert tool onto connector and insert insulator with the dielectric plunger R282.730.043



X-ON Electronics

Largest Supplier of Electrical and Electronic Components

Click to view similar products for [RF Connectors / Coaxial Connectors](#) category:

Click to view products by [Radiall](#) manufacturer:

Other Similar products are found below :

[8915-1511-000](#) [89674-0827](#) [6001-7071-019](#) [6002-7051-003](#) [6002-7551-202](#) [6059674-1](#) [619550-1](#) [630059-000](#) [M39030/3-01N](#) [6500-7071-046](#) [6769](#) [CX050L2AQ](#) [7002-1541-010](#) [7002-1542-011](#) [7004-1512-000](#) [7009-1511-004](#) [7010-1511-000](#) [7029-1511-060](#) [7101-1541-010](#) [7101-1571-002](#) [7145-1521-002](#) [7203-1571-003](#) [7209-1511-011](#) [7210-1511-015](#) [7210-1511-019](#) [73137-5015](#) [73216-2241](#) [73404-2300](#) [7405-1521-005](#) [7405-1521-802](#) [8527](#) [8547](#) [FS11V](#) [877931](#) [8808-1511-001](#) [9074-9513-000](#) [9101-9573-002](#) [910A205F](#) [9130-9573-002](#) [PL11SC-026](#) [PL375-33](#) [PL40-5](#) [PL74C-221](#) [PL75MC-217](#) [PL803-7](#) [1200690078](#) [1-201144-1](#) [R107003010W](#) [R110A172100](#) [R112186000](#)