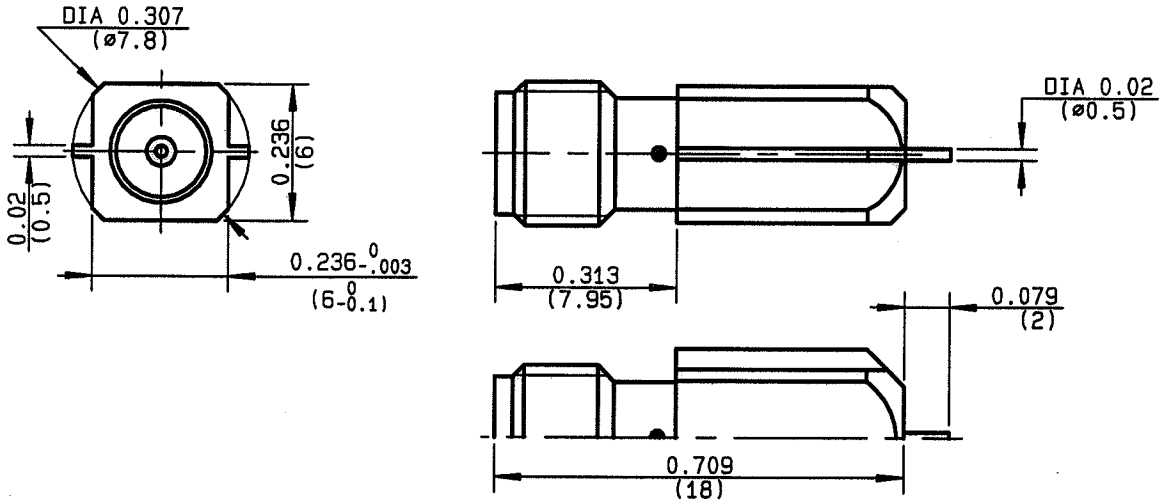


**STRAIGHT JACK RECEPTACLE SMT
EDGE CARD TYPE**

R124.423.033
SERIES SMA B



NOMINAL IMPEDANCE	50 Ω
FREQUENCY RANGE	0-18 GHz
TEMPERATURE RATING	-65/+105 °C
V.S.W.R	1.05 + .05 x F(GHz)Maxi
RF INSERTION LOSS	.05 √F(GHz) dB Maxi
VOLTAGE RATING	500 Veff Maxi
DIELECTRIC WITHSTANDING VOLTAGE	1000 Veff Mini
INSULATION RESISTANCE	5000 M ΩMini
HERMETIC SEAL	NA Atm.cm ³ /s
PACKAGE (pressurized only)	NA
MECHANICAL DURABILITY	100 Cycles
WEIGHT	3.07 gr
SPECIFICATION	

CABLES :

OTHERS CHARACTERISTICS

UNIT PACKAGING

CABLE RETENTION	NA	N Mini
CENTER CONTACT RETENTION		
Axial force - mating end	15	N Mini
Axial force - opposite end	15	N Mini
Torque	0.5	cm.N Mini
RECOMMENDED TORQUES		
Mating	40	cm.N
Panel nut	NA	cm.N
Clamp nut	NA	cm.N

CONNECTOR PARTS:	MATERIALS	FINISH	(all values are given in micrometers)
BODY	BRASS	GOLD 0.2 OVER NICKEL 2	
OUTER CONTACT			
CENTER CONTACT	BERYLLIUM COPPER	GOLD 1.3 OVER COPPER 2.5	
INSULATOR	PTFE	-	
GASKET		-	
OTHERS PIECES			

FANJA

ISSUE	CREATION DATE	FILE PART-NUMBER
9811B00	16-JAN-97	96-0019-025



RADIALL®

The information given here is subject to change without notice. Design changes may be in order to improve the product.

Connect to the future



R124.423.033

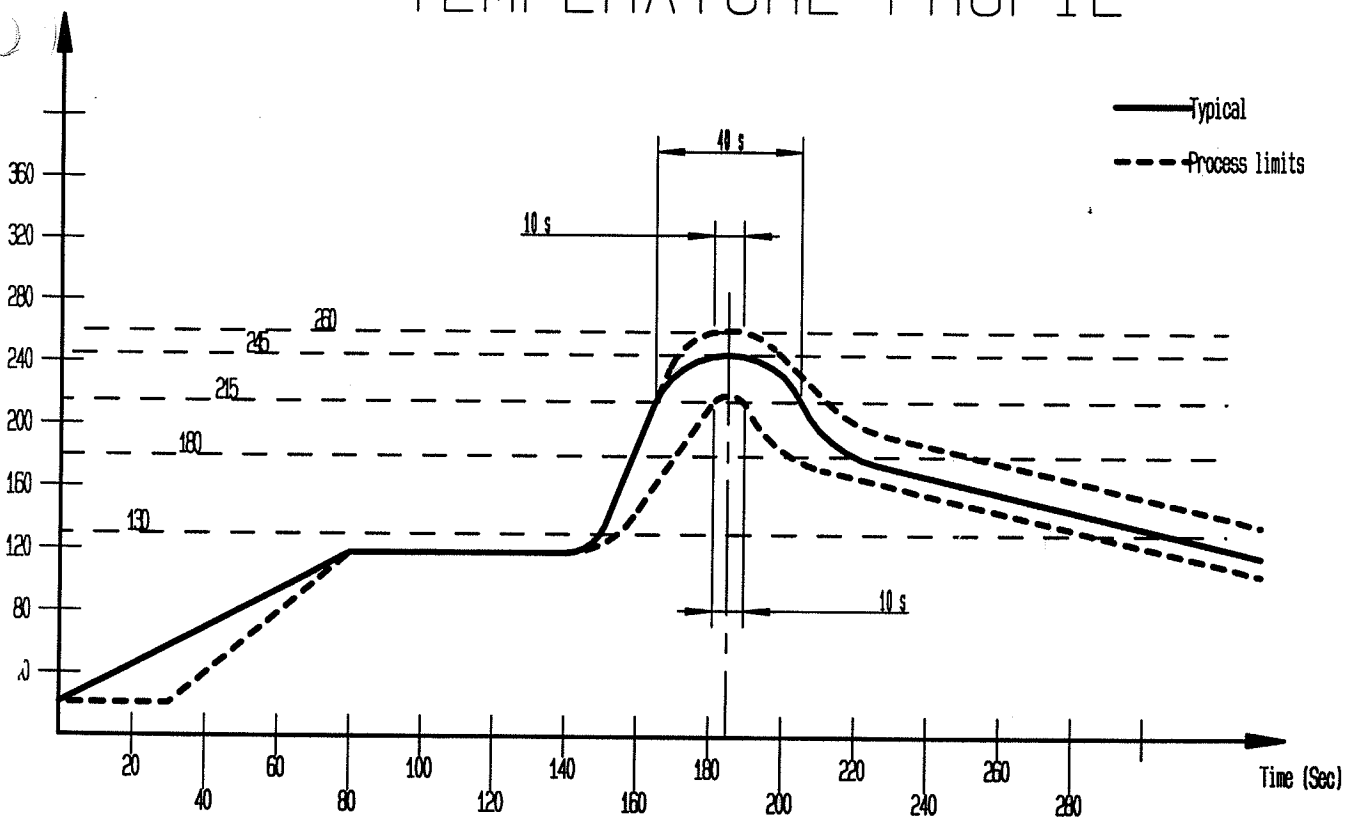
ISSUE **9811B00** SERIES **SMA B**

SOLDER PROCEDURE

- 1 - Deposit solder paste "Sn63Pb35Ag2" on mounting zone by screen printing application. We recommend a low Residue Solid flux.
We advise a thickness of 200 micromm (7.800 microinch). Verify that the edges of the zone are clean.
- 2 - Placement of the receptacle on the mounting zone with an automatic machine of "pick and place" type. Aspiration port (see page 3/3) centered into body and push against it.
Video camera is preferred to check the positioning of the component. (See page 3)
Adhesive agents are forbidden on the receptacle.
- 3 - Soldering by infra-red reflow.
We give under, the typical profile to use.
- 4 - Cleaning of printed circuit boards .
- 5 - Checking of solder joints and position of the component by visual inspection.

Temperature (Degre C)

TEMPERATURE PROFIL



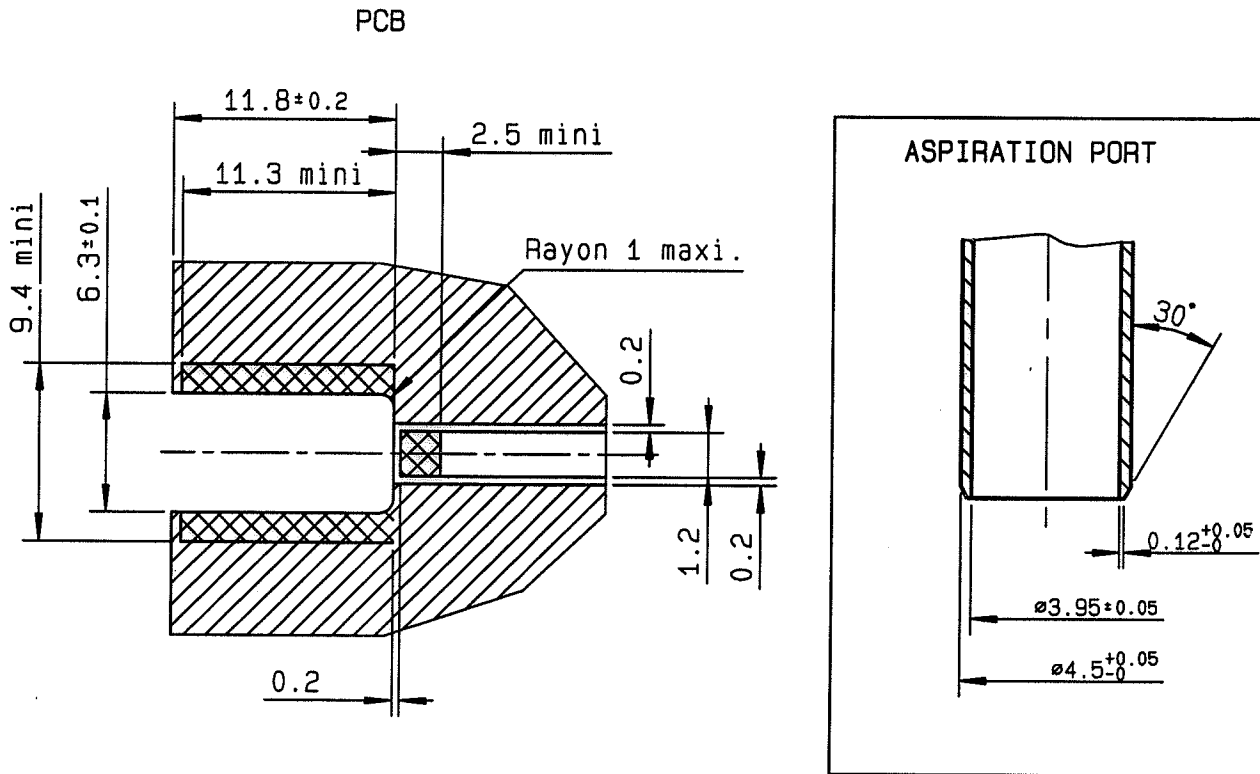


RADIALL®

R124.423.033

ISSUE **9811B00**

SERIES
SMA B



COPLANAR LINE

Pattern and signal are on the same side
 Thickness of PCB : .063 (1.6 mm)
 The material of PCB is the epoxy resin
 of glass fabrics baos. (Er = 4.8)
 The solder resist should be printed
 except for the land pattern on the PCB.

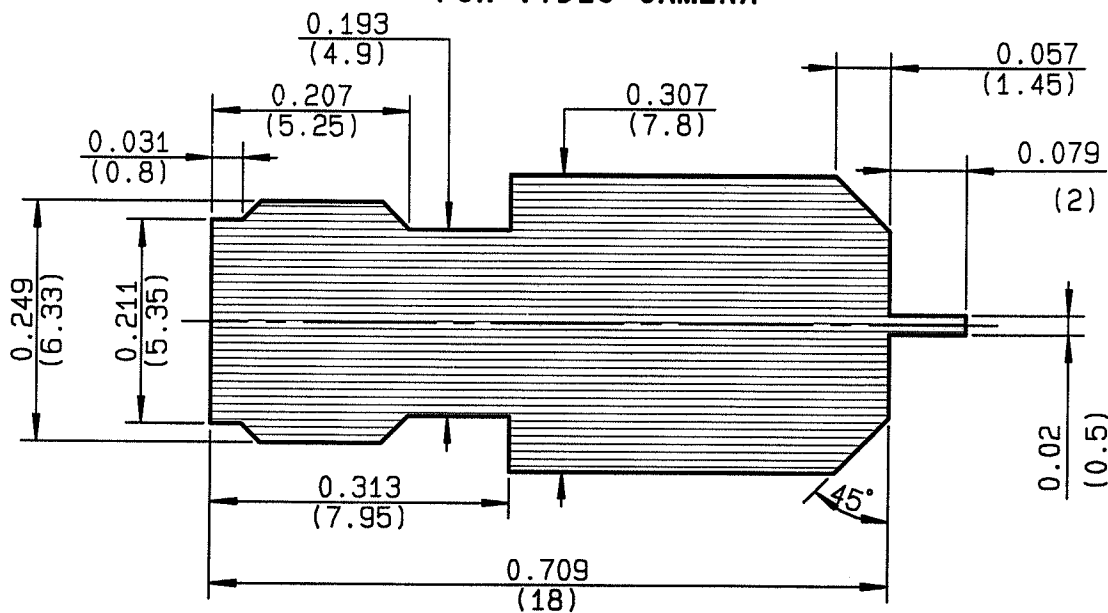


Pattern



Land for solder paste

**SHADOW OF MCX RECEPTACLE
FOR VIDEO CAMERA**



FANJAT

X-ON Electronics

Largest Supplier of Electrical and Electronic Components

Click to view similar products for [RF Connectors / Coaxial Connectors](#) category:

Click to view products by [Radiall](#) manufacturer:

Other Similar products are found below :

[8915-1511-000](#) [89674-0827](#) [6001-7071-019](#) [6002-7051-003](#) [6002-7551-202](#) [6059674-1](#) [619550-1](#) [630059-000](#) [M39030/3-01N](#) [6500-7071-046](#) [6769](#) [CX050L2AQ](#) [7002-1541-010](#) [7002-1542-011](#) [7004-1512-000](#) [7009-1511-004](#) [7010-1511-000](#) [7029-1511-060](#) [7101-1541-010](#) [7101-1571-002](#) [7145-1521-002](#) [7203-1571-003](#) [7209-1511-011](#) [7210-1511-015](#) [7210-1511-019](#) [73137-5015](#) [73216-2241](#) [73404-2300](#) [7405-1521-005](#) [7405-1521-802](#) [8527](#) [8547](#) [FS11V](#) [877931](#) [8808-1511-001](#) [9049-9513-000](#) [9074-9513-000](#) [9101-9573-002](#) [910A205F](#) [9130-9573-002](#) [PL11SC-026](#) [PL375-33](#) [PL40-5](#) [PL74C-221](#) [PL75MC-217](#) [PL803-7](#) [980-8666-005](#) [1200690078](#) [1-201144-1](#) [R107003010W](#)