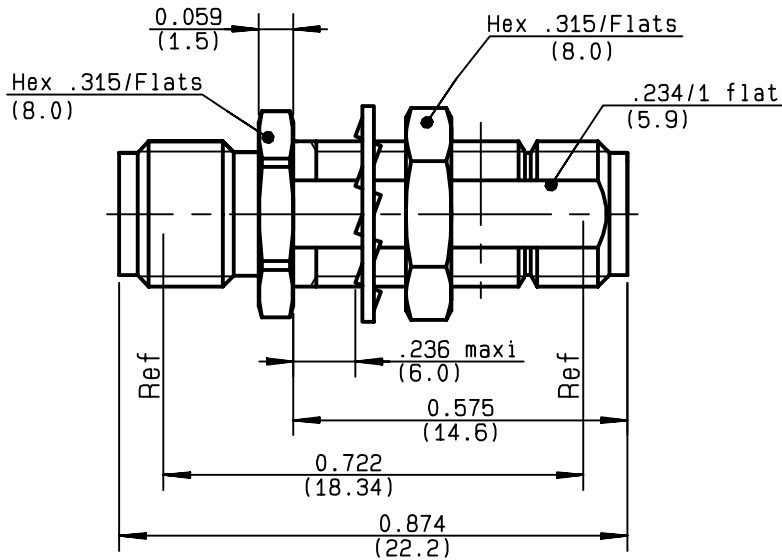
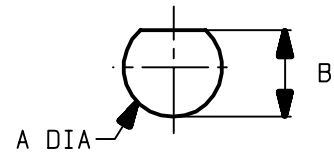


FEMALE-FEMALE BULKHEAD ADAPTOR

R124.720.003
SERIES SMA-COM



PERCAGE PANNEAU
 MOUNTING HOLE



| | MM | | INCH | |
|---|------|------|-------|-------|
| | maxi | mini | maxi | mini |
| A | 6.5 | 6.4 | 0.256 | 0.252 |
| B | 6.15 | 6 | 0.232 | 0.24 |

| | | |
|---------------------------------|--|------------------------|
| NOMINAL IMPEDANCE | 50 | Ω |
| FREQUENCY RANGE | 0-18 | GHz |
| TEMPERATURE RATING | -65/+165 | $^{\circ}C$ |
| V.S.W.R | 1.05 + .005 x F(GHz)Maxi | |
| RF INSERTION LOSS | 0.07 \sqrt{F} (GHz) dB Maxi | |
| VOLTAGE RATING | 500 | Veff Maxi |
| DIELECTRIC WITHSTANDING VOLTAGE | 1000 | Veff Mini |
| INSULATION RESISTANCE | 5000 | M Ω Mini |
| HERMETIC SEAL | NA | Atm.cm ³ /s |
| LEAKAGE (pressurized only) | NA | |
| MECHANICAL DURABILITY | 100 | Cycles |
| WEIGHT | 3.2 | gr |
| SPECIFICATION | | |

CABLES :

OTHERS CHARACTERISTICS

| | | |
|----------------------------|------------|-----------|
| CABLE RETENTION | NA | N Mini |
| CENTER CONTACT RETENTION | | |
| Axial force - mating end | 27 | N Mini |
| Axial force - opposite end | 27 | N Mini |
| Torque | 2.8 | cm.N Mini |
| RECOMMENDED TORQUES | | |
| Mating | NA | cm.N |
| Panel nut | 150 | cm.N |
| Clamp nut | NA | cm.N |

| CONNECTOR PARTS | MATERIALS | FINISH | (all values are given in micrometers) |
|-----------------|------------------|--------------------------|---------------------------------------|
| BODY | BRASS | GOLD 0.2 OVER NICKEL 2 | |
| OUTER CONTACT | | | |
| CENTER CONTACT | BERYLLIUM COPPER | GOLD 1.3 OVER COPPER 2.5 | |
| INSULATOR | PTFE | - | |
| GASKET | | - | |
| OTHERS PIECES | BRASS | GOLD 0.2 OVER NICKEL 2 | |

TRIQUES

| | | |
|----------------|-------------------|--------------------|
| ISSUE | CREATION DATE | FILE PART-NUMBER |
| 9847A00 | 27/06/1996 | 96-1200-067 |



RADIALL[®]

The information given here is subject to change without notice.
 Design changes may be in order to improve the product .

Connect to the future

X-ON Electronics

Largest Supplier of Electrical and Electronic Components

Click to view similar products for [RF Adapters - In Series](#) category:

Click to view products by [Radiall](#) manufacturer:

Other Similar products are found below :

[5916-1103-603](#) [5919-1503-000](#) [651A505](#) [82-5552](#) [9030-9523-502](#) [PN2C](#) [A0407000](#) [R114703000W](#) [R125771001](#) [R141710000W](#)
[R141723161](#) [R141730000](#) [R143730700](#) [R143770000](#) [R161703000W](#) [R161753000W](#) [R161791530W](#) [R201705000](#) [R222705200](#)
[R222M40010W](#) [R223703180](#) [R316754000](#) [R405006000](#) [R443162000](#) [AD78TL](#) [HRM-513S](#) [1996352-2](#) [2157155-1](#) [252169-75](#) [AD158](#)
[2101130-1](#) [252186](#) [R114704000W](#) [R114720000W](#) [R125705001](#) [R125705701](#) [R125771000](#) [R125771001W](#) [R127704001](#) [R127.870.001](#)
[R127872001](#) [R141717000](#) [R142710000](#) [R142723000](#) [R143703000](#) [R143704000](#) [R143705700](#) [R161715000W](#) [R161771000W](#) [R176754000](#)