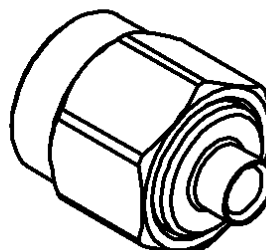
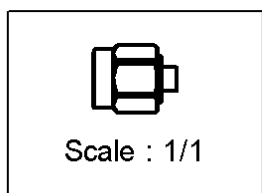
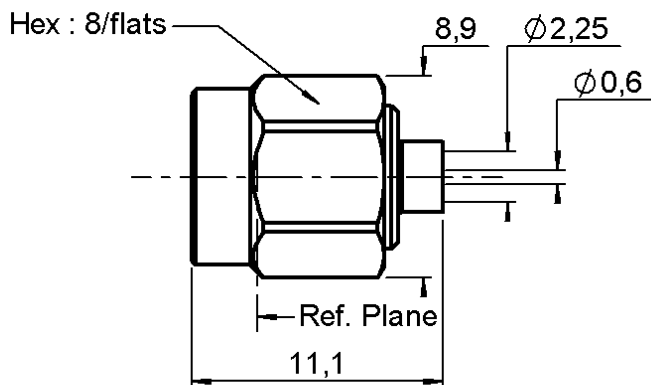
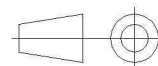


| | | | |
|----------|-------------|------------|------------------------|
| PAGE 1/2 | ISSUE 1427C | SERIES SMA | PART NUMBER R125052002 |
|----------|-------------|------------|------------------------|



CECC 22111-802-04

All dimensions are in mm.



| COMPONENTS | MATERIALS | PLATING (µm) |
|----------------|------------------------|-------------------------------|
| Body | STAINLESS STEEL | GOLD 0.5 OVER NICKEL 2 |
| Center contact | BRASS | GOLD 1.3 OVER NICKEL2 |
| Outer contact | - | - |
| Insulator | PTFE | |
| Gasket | SILICONE RUBBER | |
| Others parts | STAINLESS STEEL | PASSIVATED. |
| - | - | - |
| - | - | - |

| | | | |
|-----------------|--------------------|-------------------|-------------------------------|
| PAGE 2/2 | ISSUE 1427C | SERIES SMA | PART NUMBER R125052002 |
|-----------------|--------------------|-------------------|-------------------------------|

PACKAGING

| | | |
|------------|-------------------|-------------------|
| Standard | Unit | Other |
| 100 | Contact us | Contact us |

ELECTRICAL CHARACTERISTICS

| | | |
|---------------------------------|----------------------|--------------------------|
| Impedance | 50 | Ω |
| Frequency | 0-27 | GHz |
| VSWR | 1.07 + 0,0080 | x F(GHz) Maxi |
| Insertion loss | 0.03 | \sqrt{F} (GHz) dB Maxi |
| RF leakage | - (90) | - F(GHz)) dB Maxi |
| Voltage rating | 335 | Veff Maxi |
| Dielectric withstanding voltage | 750 | Veff mini |
| Insulation resistance | 5000 | M Ω mini |

MECHANICAL CHARACTERISTICS

| | | |
|----------------------------|---------------|-------------|
| Center contact retention | | |
| Axial force – Mating End | NA | N mini |
| Axial force – Opposite end | NA | N mini |
| Torque | NA | N.cm mini |
| Recommended torque | | |
| Mating | 100 | N.cm |
| Panel nut | NA | N.cm |
| Clamp nut | NA | N.cm |
| A/F clamp nut | 0,0000 | mm |
| Mating life | 500 | Cycles mini |
| Weight | 2,3000 | g |

ENVIRONMENTAL

| | | |
|-----------------------|-----------------|--------------------|
| Operating temperature | -65/ 165 | $^{\circ}\text{C}$ |
| Hermetic seal | NA | Atm.cm3/s |
| Panel leakage | NA | |

SPECIFICATION

CABLE ASSEMBLY

| Stripping | a | b | c | d | e | f |
|-----------|-------------|----------|----------|----------|----------|----------|
| mm | 3,17 | 0 | 0 | 0 | 0 | 0 |

Assembly instruction: **Solder 01**

Recommended cable(s)

RG 405
KS 1

Characteristics indicated on this data sheet are those that can be achieved with the highest performance cable. Intrinsic limitations of the cable may diminish the performance of the assembly

Cable retention

| | | |
|------------|------------|--------|
| - pull off | 130 | N mini |
| - torque | NA | N.cm |

TOOLING

| Part Number | Description | Hexagon |
|-------------|--------------------------------------|---------|
| R282120010 | SMA TOOLBOX | |
| R282051000 | STRIPPING TOOL | |
| R282063000 | POINTER GAUGE | |
| R282730040 | INSULATOR MOUNTING TOOL | |
| R282740000 | SOLDERING MOUNTING | |
| R282744060 | SOLDERING POSITIONER (BODY) | |
| R282744220 | SOLDERING POSITIONER(CENTER CONTACT) | |
| R282862060 | CONTROL GAUGE | |
| R282914000 | CONTROLE GAUGE | |
| R282915010 | DIELECTRIC RECESS TOOL | |

OTHER CHARACTERISTICS

X-ON Electronics

Largest Supplier of Electrical and Electronic Components

Click to view similar products for [RF Connectors / Coaxial Connectors](#) category:

Click to view products by [Radiall](#) manufacturer:

Other Similar products are found below :

[8915-1511-000](#) [89674-0827](#) [6001-7071-019](#) [6002-7051-003](#) [6002-7551-202](#) [6059674-1](#) [619550-1](#) [630059-000](#) [M39030/3-01N](#) [6500-7071-046](#) [6769](#) [CX050L2AQ](#) [7002-1541-010](#) [7002-1542-011](#) [7004-1512-000](#) [7009-1511-004](#) [7010-1511-000](#) [7029-1511-060](#) [7101-1541-010](#) [7101-1571-002](#) [7145-1521-002](#) [7203-1571-003](#) [7209-1511-011](#) [7210-1511-015](#) [7210-1511-019](#) [73137-5015](#) [73216-2241](#) [73404-2300](#) [7405-1521-005](#) [7405-1521-802](#) [8527](#) [8547](#) [FS11V](#) [877931](#) [8808-1511-001](#) [9049-9513-000](#) [9074-9513-000](#) [9101-9573-002](#) [910A205F](#) [9130-9573-002](#) [PL11SC-026](#) [PL375-33](#) [PL40-5](#) [PL74C-221](#) [PL75MC-217](#) [PL803-7](#) [980-8666-005](#) [1200690078](#) [1-201144-1](#) [R107003010W](#)