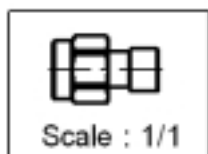
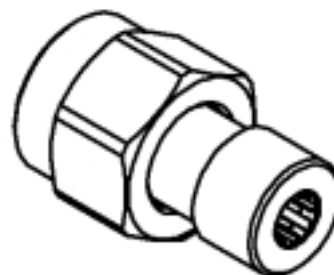
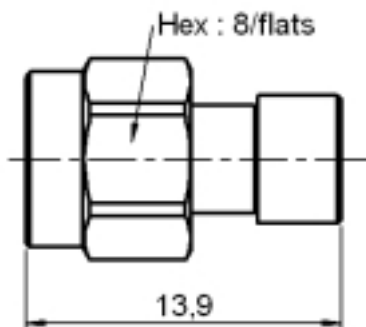


STRAIGHT PLUG CRIMP TYPE

R125.052.901

CABLE .085

Series : SMA



All dimensions are in mm.

COMPONENTS	MATERIALS	PLATING
BODY	STAINLESS STEEL	PASSIVATED . μm
CENTRE CONTACT	BERYLLIUM COPPER	GOLD 1.3 OVER NICKEL 2 μm
OUTER CONTACT	-	- μm
INSULATOR	PTFE	
GASKET	SILICONE RUBBER	
OTHERS PARTS	STAINLESS STEEL	PASSIVATED . μm
-	-	-
-	-	-



Edition : 9840 B

Design changes may be in order to improve the product.

STRAIGHT PLUG CRIMP TYPE

R125.052.901

CABLE .085

Series : SMA

ELECTRICAL CHARACTERISTICS

Impedance **50** Ω
 Frequency **0-18** GHz
 VSWR **1.07 + 0.010** x F(GHz) Maxi
 Insertion loss **0.03** √F(GHz) dB
 RF leakage - (**60** - F(GHz)) dB mini
 Operating temperature **-65/+105** °C
 Voltage rating **335** Veff Maxi
 Dielectric withstanding **750** Veff mini
 Insulation resistance **5000** MΩ mini

SPECIFICATION

Stripping	a	b	c	d	e	f
mm	1.78	0.00	0.00	0.00	0.00	0.00

Assembly instruction :

Recommended cables
 RG 405
 KS 1

Cable retention

- pull off **130** N mini
 - torque **NA** N.cm

MECHANICAL CHARACTERISTICS

Centre contact retention
 Axial force – Mating end **27** N mini
 Axial force – Opposite end **27** N mini
 Torque **2.8** N.cm mini

Recommended torque
 Mating **100** N.cm
 Panel nut **NA** N.cm
 Clamp nut **NA** N.cm
 A/F clamp nut **0.000** mm

Mating life **500** Cycles mini
 Weight **2.900** g

TOOLING

Part Number	Description	Hexagon
.	.	.
R282.051.000	STRIPPING TOOL	
R282.255.000	PNEUMATIC CRIMPING TOOL	
R282.062.000	POINTER GAUGE	
R282.710.000	GUIDE	
R282.286.000	CRIMPING TOOL	-
R282.702.000	POSITIONER	-

ENVIRONMENTAL

Hermetic seal **NA** Atm.cm3/s
 Leakage – pressurised only **NA** Mpa

OTHERS CHARACTERISTICS

Mounting hole

Others :
 -



Edition : 9840 B

Design changes may be in order to improve the product.

X-ON Electronics

Largest Supplier of Electrical and Electronic Components

Click to view similar products for [radiall](#) manufacturer:

Other Similar products are found below :

[5919-1503-000](#) [7101-1541-010](#) [7105-1561-010](#) [MD11-035](#) [81-6201-0450](#) [9074-9513-000](#) [R113425097](#) [R114305000W](#) [R124075210](#)
[R125055000](#) [R125512000W](#) [R141154000W](#) [R141572000](#) [R143012000](#) [R143235161W](#) [R166268000](#) [R176019000](#) [R191841001W](#)
[R282102000](#) [R282744220](#) [R282918120](#) [R404770000](#) [R413808000](#) [R414430150](#) [R414520150](#) [R433514700](#) [R570022105](#) [R570123005](#)
[R570363010](#) [R570442000](#) [R570E52010](#) [R574402410](#) [R585423230](#) [R114425000](#) [R124510000](#) [R125052500](#) [R125320020W](#) [R141331500W](#)
[R162017000W](#) [R176404000](#) [R191970091](#) [R282750000](#) [R317270000](#) [R404110150](#) [R404280150](#) [R404755000](#) [R413210150](#) [R413303150](#)
[R413830150](#) [R414530150](#)