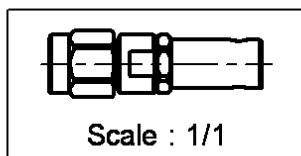
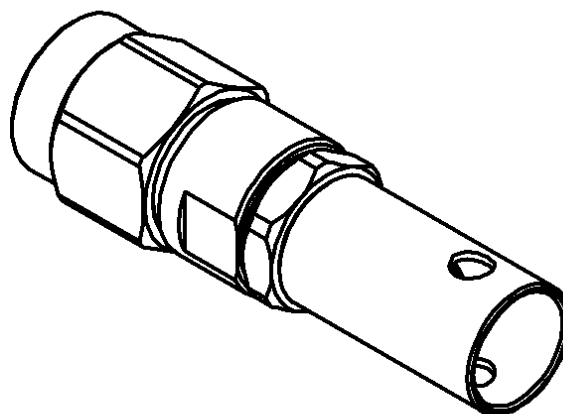
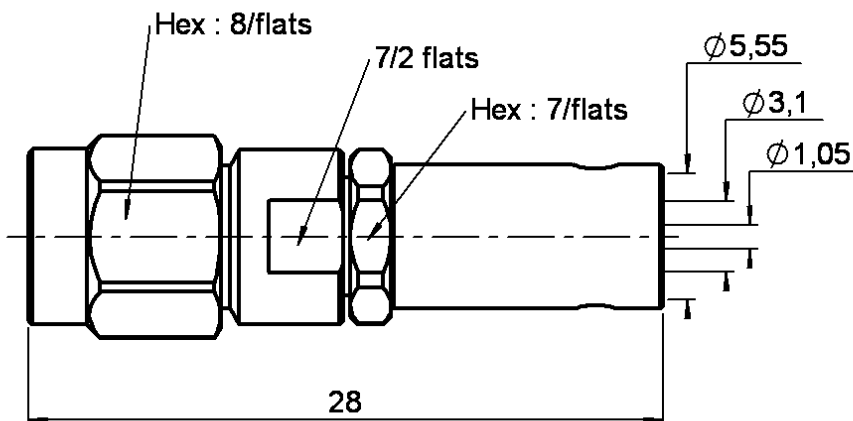


**STRAIGHT PLUG CRIMP OR SOLDER TYPE**

**R125.077.000**

**CABLE 5/50 S**

Series : SMA



All dimensions are in mm.

COMPONENTS	MATERIALS	PLATING
BODY	STAINLESS STEEL	GOLD 0.5 OVER NICKEL 2 $\mu\text{m}$
CENTRE CONTACT	BRASS	GOLD 1.3 OVER NICKEL 2 $\mu\text{m}$
OUTER CONTACT	-	- $\mu\text{m}$
INSULATOR	PTFE	
GASKET	SILICONE RUBBER	
OTHERS PARTS	STAINLESS STEEL	GOLD 0.5 OVER NICKEL 2 $\mu\text{m}$
-	-	-
-	-	-



Edition : 9840 F

Design changes may be in order to improve the product.

**STRAIGHT PLUG CRIMP OR SOLDER TYPE**

**R125.077.000**

**CABLE 5/50 S**

Series : **SMA**

**ELECTRICAL CHARACTERISTICS**

Impedance **50** Ω  
 Frequency **0-12.4** GHz  
 VSWR **1.15 + 0.010** x F(GHz) Maxi  
 Insertion loss **0.06** √F(GHz) dB  
 RF leakage - ( **60** - F(GHz)) dB mini  
 Operating temperature **-65/+165** °C  
 Voltage rating **335** Veff Maxi  
 Dielectric withstanding **1000** Veff mini  
 Insulation resistance **5000** MΩ mini

**SPECIFICATION**

Stripping	a	b	c	d	e	f
mm	3.50	7.00	13.5	0.00	10.0	0.00

Assembly instruction : **CRIMP 10**

Recommended cables  
 RG 58  
 KX 15  
 RG 141

Cable retention  
 - pull off **180** N mini  
 - torque **NA** N.cm

**MECHANICAL CHARACTERISTICS**

Centre contact retention  
 Axial force – Mating end **27** N mini  
 Axial force – Opposite end **27** N mini  
 Torque **NA** N.cm mini

**TOOLING**

Part Number	Description	Hexagon
.	.	.
R282.235.011	CRIMPING DIES	5.40
R282.293.000	CRIMPING TOOL	-
R282.223.000	CRIMPING TOOL	5.40

Recommended torque  
 Mating **100** N.cm  
 Panel nut **NA** N.cm  
 Clamp nut **100** N.cm  
 A/F clamp nut **7.000** mm

**OTHERS CHARACTERISTICS**

Mating life **500** Cycles mini  
 Weight **0.000** g

**ENVIRONMENTAL**

Hermetic seal **NA** Atm.cm3/s  
 Leakage – pressurised only **NA** Mpa



Edition : 9840 F

Design changes may be in order to improve the product.

## X-ON Electronics

Largest Supplier of Electrical and Electronic Components

*Click to view similar products for [RF Connectors / Coaxial Connectors](#) category:*

*Click to view products by [Radiall](#) manufacturer:*

Other Similar products are found below :

[8915-1511-000](#) [89674-0827](#) [6001-7071-019](#) [6002-7051-003](#) [6002-7551-202](#) [6059674-1](#) [619550-1](#) [630059-000](#) [M39030/3-01N](#) [6500-7071-046](#) [6769](#) [CX050L2AQ](#) [7002-1541-010](#) [7002-1542-011](#) [7004-1512-000](#) [7009-1511-004](#) [7010-1511-000](#) [7029-1511-060](#) [7101-1541-010](#) [7101-1571-002](#) [7145-1521-002](#) [7203-1571-003](#) [7209-1511-011](#) [7210-1511-015](#) [7210-1511-019](#) [73137-5015](#) [73216-2241](#) [73404-2300](#) [7405-1521-005](#) [7405-1521-802](#) [8527](#) [8547](#) [FS11V](#) [877931](#) [8808-1511-001](#) [9049-9513-000](#) [9074-9513-000](#) [9101-9573-002](#) [910A205F](#) [9130-9573-002](#) [PL11SC-026](#) [PL375-33](#) [PL40-5](#) [PL74C-221](#) [PL75MC-217](#) [PL803-7](#) [1200690078](#) [1-201144-1](#) [R107003010W](#) [R110A172100](#)