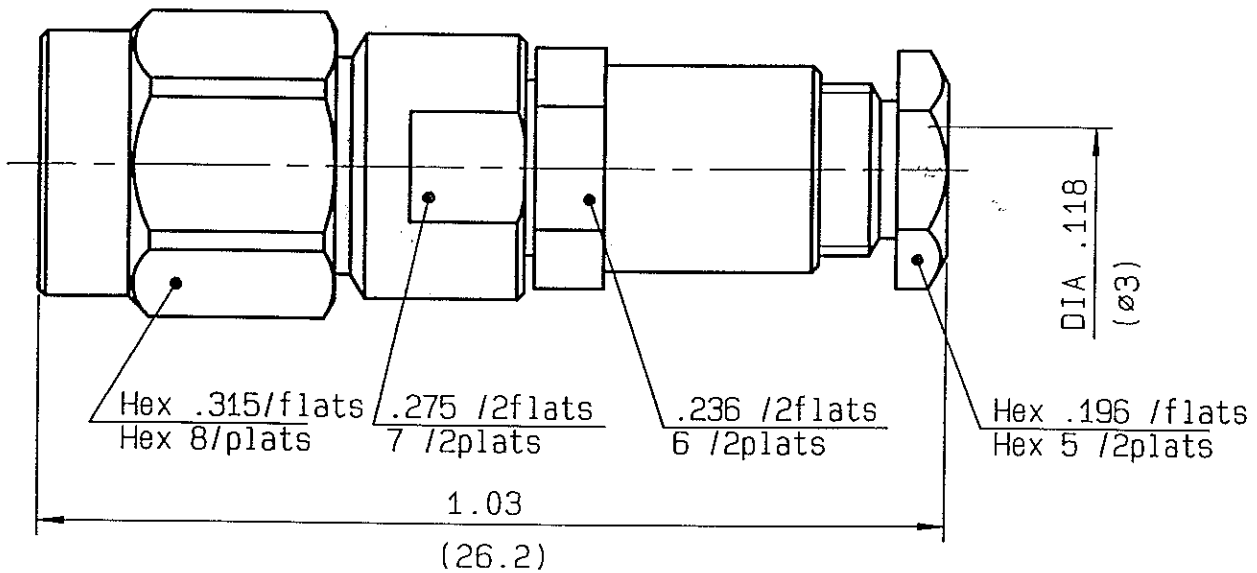


**STRAIGHT PLUG CLAMP TYPE  
CABLE 2.6/50 S**

**R125.091.000**  
SERIES SMA



NOMINAL IMPEDANCE	50 $\Omega$
FREQUENCY RANGE	0-12.4 GHz
TEMPERATURE RATING	-65/+165 °C
V.S.W.R	1.15 + .02 x F(GHz)Max
RF INSERTION LOSS	0.06 $\sqrt{F}$ (GHz) dB Max
VOLTAGE RATING	250 Veff Max
DIELECTRIC WITHSTANDING VOLTAGE	750 Veff Min
INSULATION RESISTANCE	5000 M $\Omega$ Mini
HERMETIC SEAL	NA Atm.cm <sup>3</sup> /s
LEAKAGE (pressurized only)	NA
MECHANICAL DURABILITY	500 Cycles
WEIGHT	gr
SPECIFICATION	

CABLES : KX 22A  
RG 174  
RG 188  
RG 316

OTHERS CHARACTERISTICS

CABLE RETENTION	90	N Mini
CENTER CONTACT RETENTION		
Axial force - mating end	27	N Mini
Axial force - opposite end	27	N Mini
Torque	NA	cm.N Mini
RECOMMENDED TORQUES		
Mating	100	cm.N
Panel nut	NA	cm.N
Clamp nut	40	cm.N

CONNECTOR PARTS	MATERIALS	FINISH	(all values are given in micrometers)
BODY	STAINLESS STEEL	GOLD 0.5 OVER NICKEL 2	
OUTER CONTACT			
CENTER CONTACT	BRASS	GOLD 1.3 OVER NICKEL 2	
INSULATOR	PTFE	-	
GASKET	SILICONE RUBBER	-	
OTHERS PIECES	BRASS	GOLD 0.2 OVER NICKEL 2	

GUILLOMIN

ISSUE	CREATION DATE	FILE PART-NUMBER
J943K00	17/04/1989	

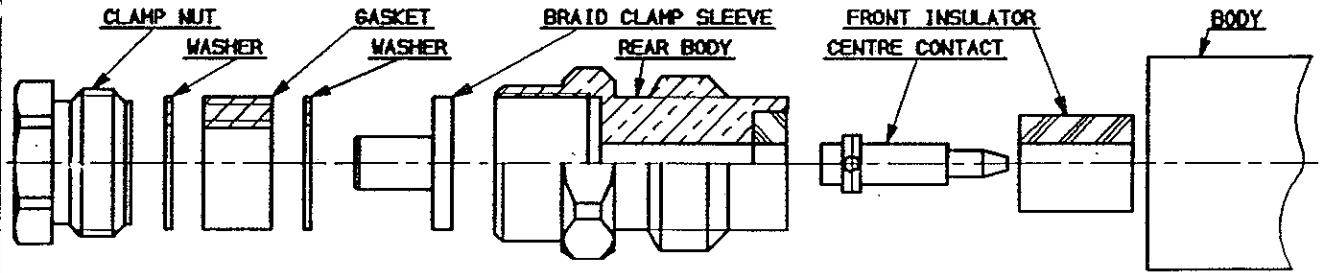


**RADIALL®**

The information given here is subject to change without notice. Design changes may be in order to improve the product.

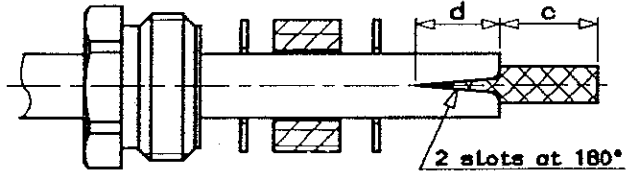
Connect to the future

**STRAIGHT PLUG , CLAMP VERSION FOR 2.6/50 CABLE**



①

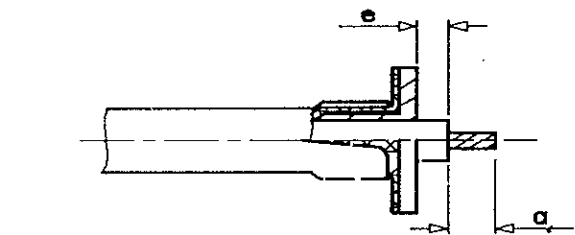
- 1-1 Slide the clamp nut, the 1st washer, the gasket and the 2nd washer onto the cable .
- 1-2 Strip the cable .
- 1-3 Cut the jacket ( 2 slots ) .



Stripping	a	b	c	d	e
Inch	-	-	.195	.177	.011
mm	-	-	5	4.5	0.3

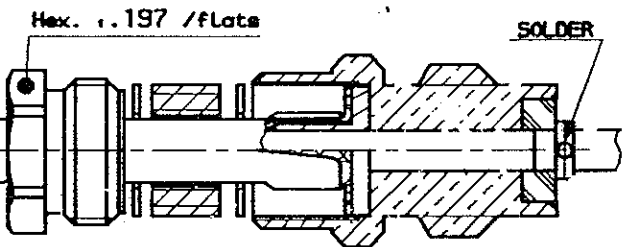
②

- 2-1 Slide clamp braid sleeve over braid .
- 2-2 Cut the braid flush with the clamp braid sleeve .
- 2-3 Strip the dielectric as shown .



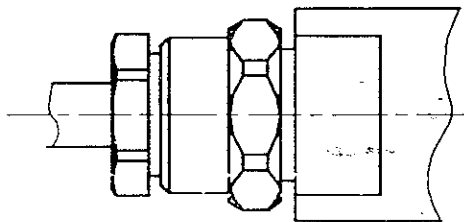
③

- 3-1 Screw sub-assembly into the connector rear body (coupling torque 3.54in.Lb)
- 3-2 Slide centre contact over centre conductor until it bottoms against insulator
- 3-3 Solder centre contact .
- 3-4 Mount front insulator .



④

- 4-1 Screw sub-assembly into the connector body .
- Recommended coupling torque  
8.86 In.Lb



ISSUE	REVISION No	DESCRIPTION	BY	DATE
9943	21499,10.004	.210 → .195 → .043 → .011 (Stripping table)	Vignard	TRJPIER 25.10.99

Initiated on \_\_\_\_\_  
Superseded on \_\_\_\_\_

The information given here is subject to change without notice. Design changes may be in order to improve the product.



## X-ON Electronics

Largest Supplier of Electrical and Electronic Components

*Click to view similar products for [RF Connectors / Coaxial Connectors](#) category:*

*Click to view products by [Radiall](#) manufacturer:*

Other Similar products are found below :

[8915-1511-000](#) [89674-0827](#) [6001-7071-019](#) [6002-7051-003](#) [6002-7551-202](#) [6059674-1](#) [619550-1](#) [630059-000](#) [M39030/3-01N](#) [6500-7071-046](#) [6769](#) [CX050L2AQ](#) [7002-1541-010](#) [7002-1542-011](#) [7004-1512-000](#) [7009-1511-004](#) [7010-1511-000](#) [7029-1511-060](#) [7101-1541-010](#) [7101-1571-002](#) [7145-1521-002](#) [7203-1571-003](#) [7209-1511-011](#) [7210-1511-015](#) [7210-1511-019](#) [73137-5015](#) [73216-2241](#) [73404-2300](#) [7405-1521-005](#) [7405-1521-802](#) [8527](#) [8547](#) [FS11V](#) [877931](#) [8808-1511-001](#) [9049-9513-000](#) [9074-9513-000](#) [9101-9573-002](#) [910A205F](#) [9130-9573-002](#) [PL11SC-026](#) [PL375-33](#) [PL40-5](#) [PL74C-221](#) [PL75MC-217](#) [PL803-7](#) [980-8666-005](#) [1200690078](#) [1-201144-1](#) [R107003010W](#)