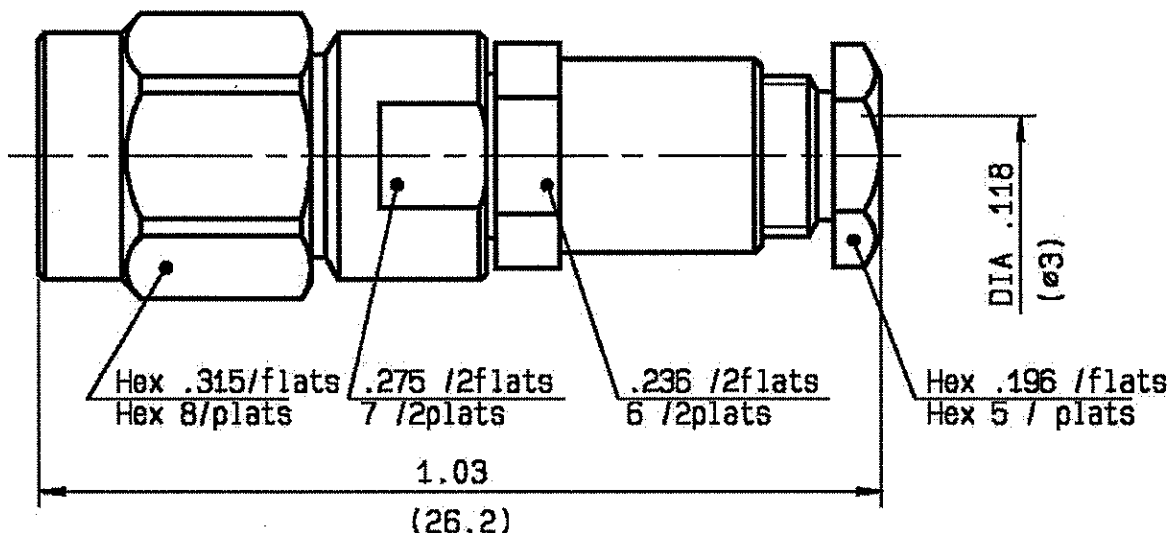


**STRAIGHT PLUG CLAMP TYPE**  
**CABLE 2.6/50 8**

**R125.091.001**  
**SERIES SMA**



NOMINAL IMPEDANCE	50 $\Omega$
FREQUENCY RANGE	0-12.4 GHz
TEMPERATURE RATING	-65/+165 °C
V.S.W.R	1.15 + .02 x F(GHz)Max1
RF INSERTION LOSS	0.06 $\sqrt{F}$ (GHz) dB Max1
VOLTAGE RATING	250 Veff Max1
DIELECTRIC WITHSTANDING VOLTAGE	750 Veff Min1
INSULATION RESISTANCE	5000 M $\Omega$ Min1
HERMETIC SEAL	NA Atm.om <sup>3</sup> /s
LEAKAGE (pressurized only)	NA
MECHANICAL DURABILITY	500 Cycles
WEIGHT	0 gr
SPECIFICATION	

CABLES : KX 22A  
FB 188  
FB 318

OTHERS CHARACTERISTICS

CABLE RETENTION	90 N Min1
CENTER CONTACT RETENTION	
Axial force - mating end	27 N Min1
Axial force - opposite end	27 N Min1
Torque	NA om.N Min1
RECOMMENDED TORQUES	
Mating	100 om.N
Panel nut	NA om.N
Clamp nut	100 om.N

CONNECTOR PARTS:	MATERIALS	FINISH	(all values are given in micrometers)
BODY	STAINLESS STEEL	PASSIVATED .	
OUTER CONTACT			
CENTER CONTACT	BRASS	GOLD 1.3 OVER NICKEL 2	
INSULATOR	PTFE	-	
GASKET	SILICONE RUBBER	-	
OTHERS PIECES	BRASS	NICKEL 2	

ISSUE	CREATION DATE	FILE PART-NUMBER
0826 C00	17/04/1989	-

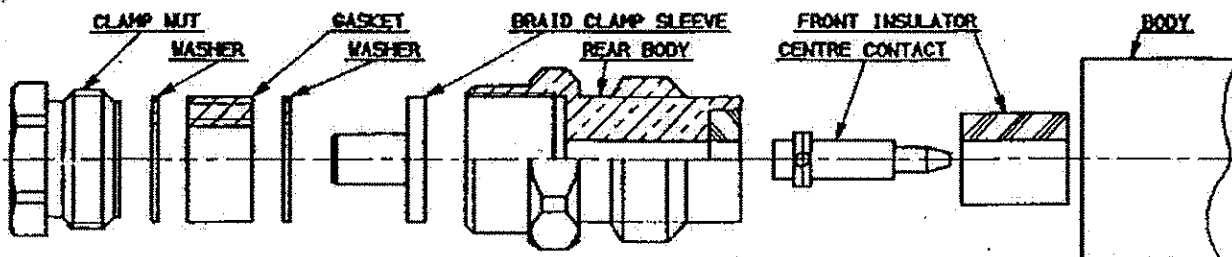


SULLOMIN

The information given here is subject to change without notice.  
Design changes may be in order to improve the product .

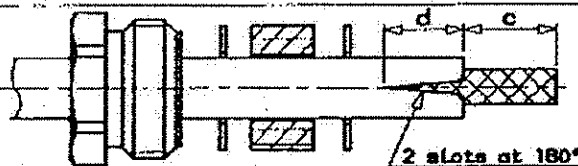
Connect to the future

STRAIGHT PLUG , CLAMP VERSION FOR  
2.6/50 CABLE



①

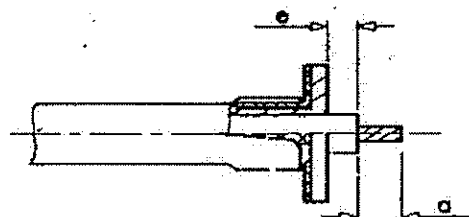
- 1-1 Slide the clamp nut, the 1st washer, the gasket and the 2nd washer onto the cable .
- 1-2 Strip the cable .
- 1-3 Cut the jacket ( 2 slots ) .



Stripping	a	b	c	d	e
Inch	-	-	.196	.177	.044
mm	-	-	5	4.5	0.3

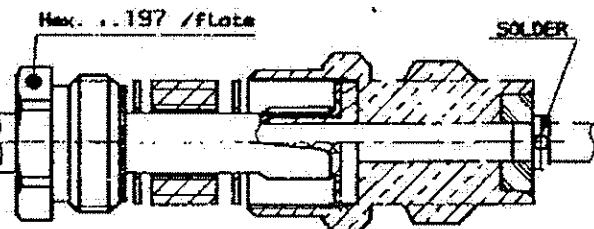
②

- 2-1 Slide clamp braid sleeve over braid .
- 2-2 Cut the braid flush with the clamp braid sleeve .
- 2-3 Strip the dielectric as shown .



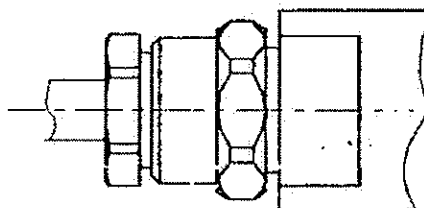
③

- 3-1 Screw sub-assembly into the connector rear body (coupling torque 3.54 in. lb)
- 3-2 Slide centre contact over centre conductor until it bottoms against insulator
- 3-3 Solder centre contact .
- 3-4 Mount front insulator .



④

- 4-1 Screw sub-assembly into the connector body .
- Recommended coupling torque  
8.86 in. lb



ISSUE	REVISION No	DESCRIPTION	BY	DATE

Initiated on

Superseded on

The information given here is subject to change without notice. Design changes may be made in order to improve the product.



## X-ON Electronics

Largest Supplier of Electrical and Electronic Components

*Click to view similar products for [RF Connectors / Coaxial Connectors](#) category:*

*Click to view products by [Radiall](#) manufacturer:*

Other Similar products are found below :

[8915-1511-000](#) [89674-0827](#) [6001-7071-019](#) [6002-7051-003](#) [6002-7551-202](#) [6059674-1](#) [619550-1](#) [630059-000](#) [M39030/3-01N](#) [6500-7071-046](#) [6769](#) [CX050L2AQ](#) [7002-1541-010](#) [7002-1542-011](#) [7004-1512-000](#) [7009-1511-004](#) [7010-1511-000](#) [7029-1511-060](#) [7101-1541-010](#) [7101-1571-002](#) [7145-1521-002](#) [7203-1571-003](#) [7209-1511-011](#) [7210-1511-015](#) [7210-1511-019](#) [73137-5015](#) [73216-2241](#) [73404-2300](#) [7405-1521-005](#) [7405-1521-802](#) [8527](#) [8547](#) [FS11V](#) [877931](#) [8808-1511-001](#) [9074-9513-000](#) [9101-9573-002](#) [910A205F](#) [9130-9573-002](#) [PL11SC-026](#) [PL375-33](#) [PL40-5](#) [PL74C-221](#) [PL75MC-217](#) [PL803-7](#) [1200690078](#) [1-201144-1](#) [R107003010W](#) [R110A172100](#) [R112186000](#)