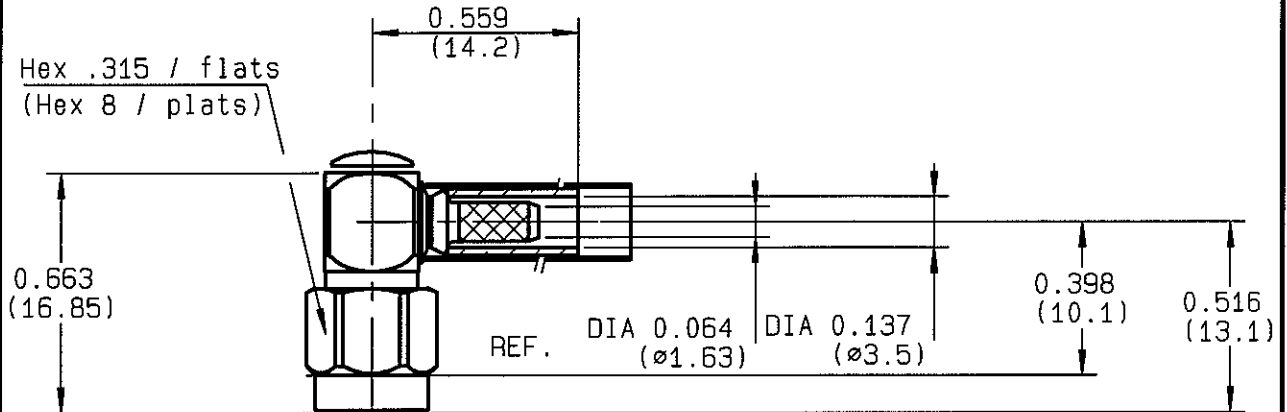



**RIGHT ANGLE PLUG CRIMP TYPE
CABLE 2.6/50 D**

R125.174.000
SERIES SMA



NOMINAL IMPEDANCE	50 Ω	CABLES : K02252D RD 316
FREQUENCY RANGE	0-12.4 GHz	
TEMPERATURE RATING	-65/+165 °C	
V.S.W.R	1.15 + .03 x F(GHz)Max:	
RF INSERTION LOSS	0.15 √F(GHz) dB Max:	
VOLTAGE RATING	250 V _{eff} Max:	
DIELECTRIC WITHSTANDING VOLTAGE	750 V _{eff} Mini:	
INSULATION RESISTANCE	5000 MΩMini	
HERMETIC SEAL	NA Atm.cm ³ /s	
LEAKAGE (pressurized only)	NA	
MECHANICAL DURABILITY	500 Cycles	OTHERS CHARACTERISTICS
WEIGHT	gr	CABLE RETENTION 110 N Mini
SPECIFICATION		CENTER CONTACT RETENTION Axial force - mating end 27 N Mini Axial force - opposite end 27 N Mini Torque 2.8 cm.N Mini
		RECOMMENDED TORQUES Mating 100 cm.N Panel nut NA cm.N Clamp nut NA cm.N

CONNECTOR PARTS:	MATERIALS	FINISH (all values are given in micrometers)
BODY	STAINLESS STEEL	GOLD 0.5 OVER NICKEL 2
OUTER CONTACT		
CENTER CONTACT	BRASS	GOLD 1.3 OVER NICKEL 2
INSULATOR	PTFE	-
GASKET	SILICONE RUBBER	-
OTHERS PIECES	STAINLESS STEEL	GOLD 0.5 OVER NICKEL 2

ISSUE 0739 C00	CREATION DATE 04/02/1991	FILE PART-NUMBER 89-1207-136		RADIALL ®
--------------------------	------------------------------------	--	--	------------------

BAFFERT JM

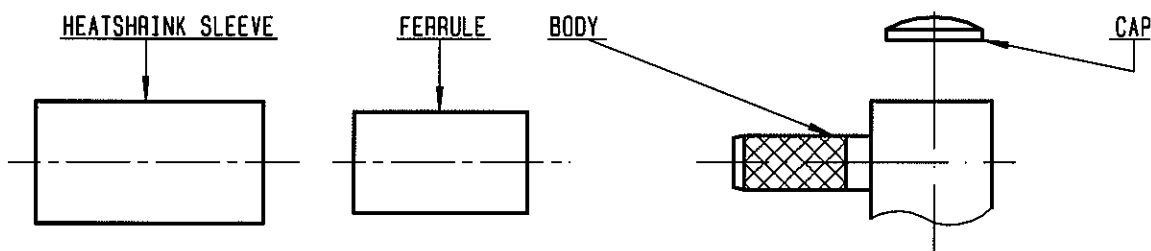
The information given here is subject to change without notice. Design changes may be in order to improve the product.

Connect to the future



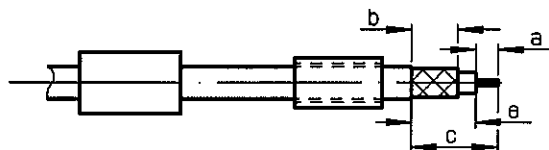
R125.174.000

ISSUE 0739C00 SERIES SMA



①

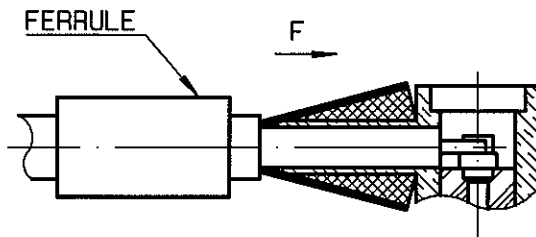
Slide ferrule onto heatshrink sleeve
 Strip the cable .
 -
 -



Stripping	a	b	c	d	e
inch	0.11	0.276	0.504	0	0.394
mm	2.8	7	12.8		10

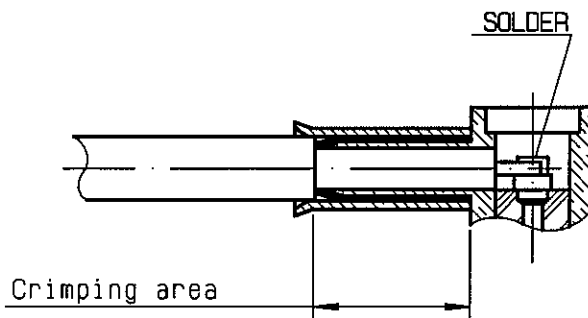
②

Fan the braid .
 Push connector body under the braid .
 Slide ferrule over braid
 (in direction F)
 -
 -



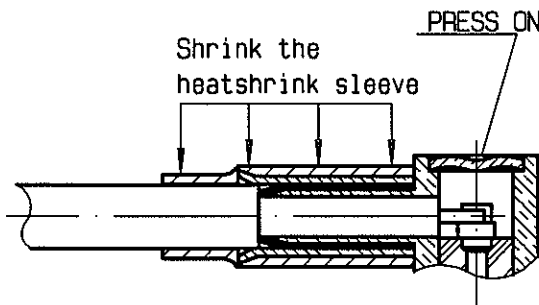
③

Crimp the ferrule with crimping tool
 R282 271 000 (Hex. : 0.151) or
 crimping tool R 282 293 000 (M22520/5-01)
 + dies R 282 235 037 (M22520/5-37)
 Solder inner conductor .



④

Place the cap into body.
 Press cap flush or slightly below surface
 of body assembly .
 Slide sleeve over ferrule and heatshrink
 in place .
 -
 -
 -



X-ON Electronics

Largest Supplier of Electrical and Electronic Components

Click to view similar products for [RF Connectors / Coaxial Connectors](#) category:

Click to view products by [Radiall](#) manufacturer:

Other Similar products are found below :

[8915-1511-000](#) [89674-0827](#) [6001-7071-019](#) [6002-7051-003](#) [6002-7551-202](#) [6059674-1](#) [619550-1](#) [630059-000](#) [M39030/3-01N](#) [6500-7071-046](#) [6769](#) [CX050L2AQ](#) [7002-1541-010](#) [7002-1542-011](#) [7004-1512-000](#) [7009-1511-004](#) [7010-1511-000](#) [7029-1511-060](#) [7101-1541-010](#) [7101-1571-002](#) [7105-1521-002](#) [7145-1521-002](#) [7203-1571-003](#) [7209-1511-011](#) [7210-1511-015](#) [7210-1511-019](#) [73137-5015](#) [73216-2241](#) [73404-2300](#) [7405-1521-005](#) [7405-1521-802](#) [8527](#) [8547](#) [FS11V](#) [877931](#) [8808-1511-001](#) [9074-9513-000](#) [9101-9573-002](#) [910A205F](#) [9130-9573-002](#) [PL11SC-026](#) [PL375-33](#) [PL40-5](#) [PL74C-221](#) [PL75MC-217](#) [PL803-7](#) [1200690078](#) [1-201144-1](#) [R107003010W](#) [R110A172100](#)