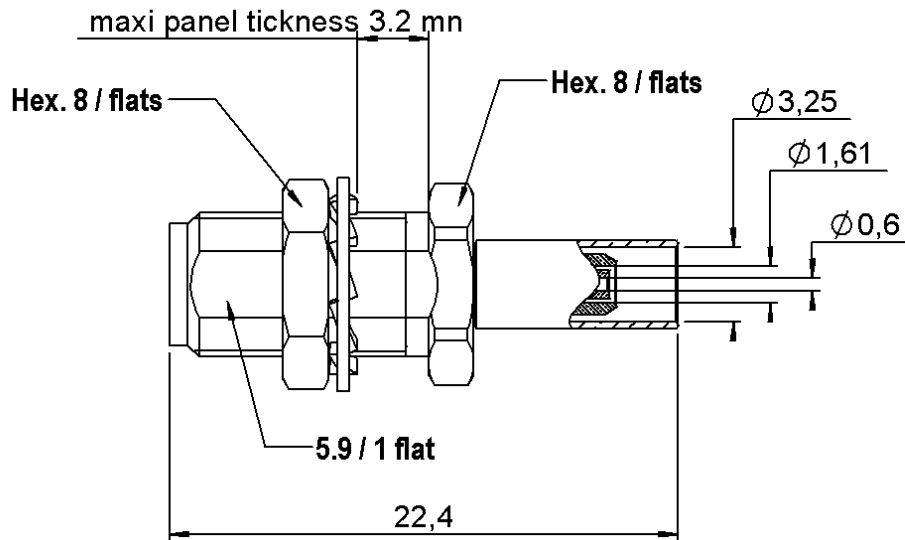
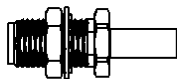
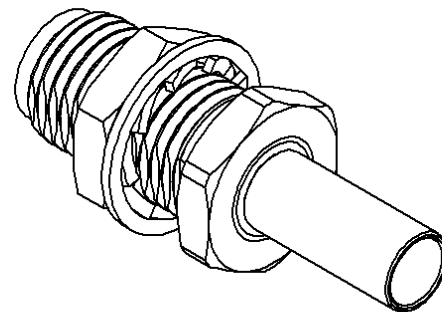
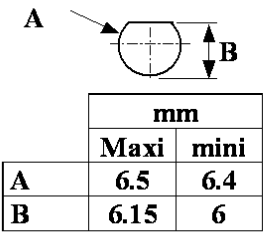


PAGE 1/2	ISSUE 1438B	SERIES SMA	PART NUMBER R125312120
----------	-------------	------------	------------------------

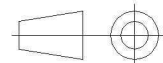


PANEL CUT OUT



SCALE 1:1

All dimensions are in mm.



COMPONENTS	MATERIALS	PLATING (µm)
Body	STAINLESS STEEL	GOLD 0.5 OVER NICKEL 2
Center contact	BERYLLIUM COPPER	GOLD 1.3 OVER NICKEL2
Outer contact	-	-
Insulator	PTFE	-
Gasket	-	-
Others parts	BRASS	GOLD 0.2 OVER NICKEL 2
-	-	-
-	-	-

PAGE 2/2	ISSUE 1438B	SERIES SMA	PART NUMBER R125312120
-----------------	--------------------	-------------------	-------------------------------

PACKAGING

Standard	Unit	Other
100	Contact us	Contact us

ELECTRICAL CHARACTERISTICS

Impedance	50	Ω
Frequency	0-12.4	GHz
VSWR	1.15 + 0,0200	x F(GHz) Maxi
Insertion loss	0.04	\sqrt{F} (GHz) dB Maxi
RF leakage	- (-)	- F(GHz)) dB Maxi
Voltage rating	250	Veff Maxi
Dielectric withstanding voltage	750	Veff mini
Insulation resistance	5000	M Ω mini

MECHANICAL CHARACTERISTICS

Center contact retention		
Axial force – Mating End	18	N mini
Axial force – Opposite end	18	N mini
Torque	NA	N.cm mini
Recommended torque		
Mating	NA	N.cm
Panel nut	150	N.cm
Clamp nut	NA	N.cm
A/F clamp nut	0,0000	mm
Mating life	500	Cycles mini
Weight	3,6000	g

ENVIRONMENTAL

Operating temperature	-65/+165	$^{\circ}\text{C}$
Hermetic seal	NA	Atm.cm3/s
Panel leakage	NA	

SPECIFICATION

CABLE ASSEMBLY

Stripping	a	b	c	d	e	f
mm	3	6,3	10,8	0	7,8	0

Assembly instruction: **Crimp 02**

Recommended cable(s)

RG 316
KX 22A
RG 188

Characteristics indicated on this data sheet are those that can be achieved with the highest performance cable. Intrinsic limitations of the cable may diminish the performance of the assembly

Cable retention

- pull off	90	N mini
- torque	-	N.cm

TOOLING

Part Number	Description	Hexagon
R282281000	CRIMPING TOOL	2x4(pos5)
R282967012	POSITONER FOR CRIMPING TOOL	
And - (et)		
R282271000	CRIMPING TOOL	3.25
Or - (ou)		
R282293000	CRIMPING TOOL M22520/5-01	
R282235003	CRIMPING DIES M22520/5-03	3.25

OTHER CHARACTERISTICS

-

X-ON Electronics

Largest Supplier of Electrical and Electronic Components

Click to view similar products for [RF Connectors / Coaxial Connectors](#) category:

Click to view products by [Radiall](#) manufacturer:

Other Similar products are found below :

[8915-1511-000](#) [89674-0827](#) [6001-7071-019](#) [6002-7051-003](#) [6002-7551-202](#) [6059674-1](#) [619550-1](#) [630059-000](#) [M39030/3-01N](#) [6500-7071-046](#) [6769](#) [CX050L2AQ](#) [7002-1541-010](#) [7002-1542-011](#) [7004-1512-000](#) [7009-1511-004](#) [7010-1511-000](#) [7029-1511-060](#) [7101-1541-010](#) [7101-1571-002](#) [7145-1521-002](#) [7203-1571-003](#) [7209-1511-011](#) [7210-1511-015](#) [7210-1511-019](#) [73137-5015](#) [73216-2241](#) [73404-2300](#) [7405-1521-005](#) [7405-1521-802](#) [8527](#) [8547](#) [FS11V](#) [877931](#) [9049-9513-000](#) [9074-9513-000](#) [9101-9573-002](#) [910A205F](#) [9130-9573-002](#) [PL11SC-026](#) [PL375-33](#) [PL40-5](#) [PL74C-221](#) [PL75MC-217](#) [PL803-7](#) [980-8666-005](#) [1200690078](#) [1-201144-1](#) [R107003010W](#) [R110A172100](#)