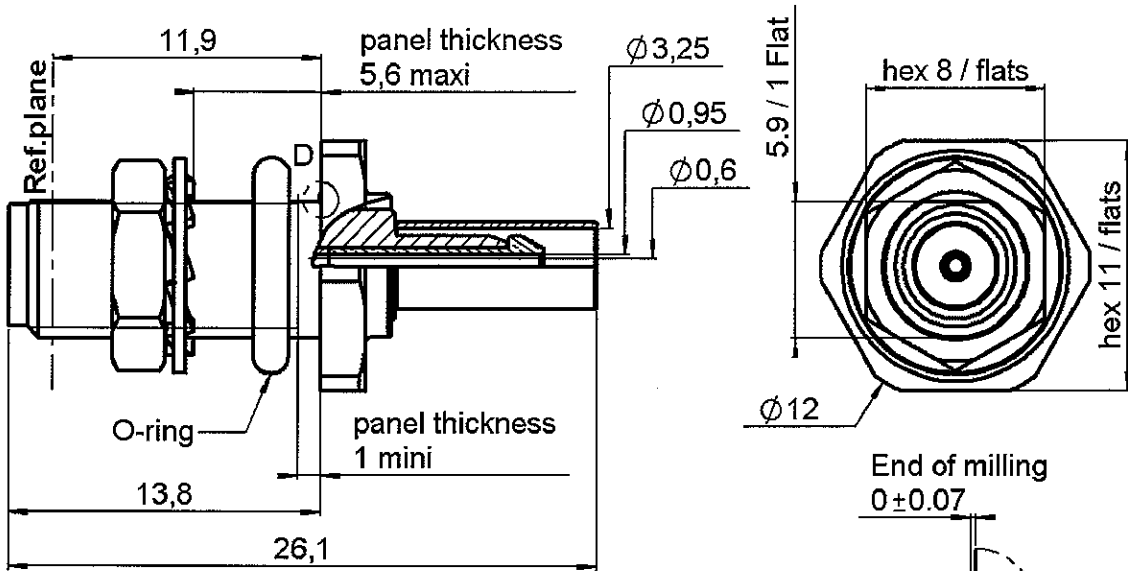


STRAIGHT BULKEAD JACK COMBINATION SEAL

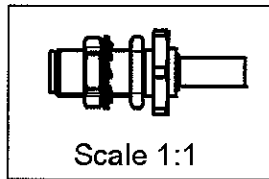
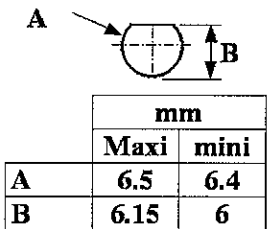
R125.320.020

REAR MOUNTING CRIMP TYPE - CABLE 2/50S

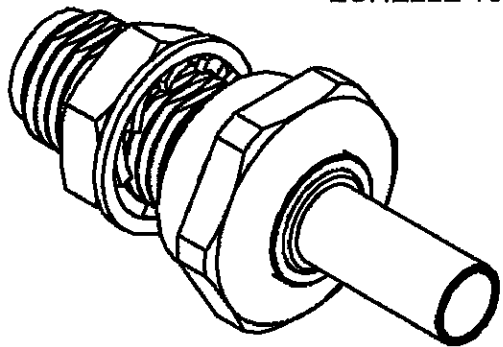
Series : SMA



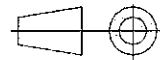
PANEL CUT OUT



DÉTAIL D
ECHELLE 10 : 1



All dimensions are in mm.



COMPONENTS	MATERIALS	PLATING (µm)
BODY	STAINLESS STEEL	GOLD 0.5 OVER NICKEL 2
CENTER CONTACT	BERYLLIUM COPPER	GOLD 2.5 OVER COPPER 2.5
OUTER CONTACT	-	-
INSULATOR	PTFE	-
GASKET	SILICONE RUBBER	-
OTHERS PARTS	STAINLESS STEEL	GOLD 0.2 OVER NICKEL 2
-	-	-
-	-	-

Issue : 0618 B

In the effort to improve our products, we reserve the right to make changes judged to be necessary.



STRAIGHT BULKEAD JACK COMBINATION SEAL

R125.320.020

REAR MOUNTING CRIMP TYPE - CABLE 2/50S

Series : SMA

PACKAGING

Standard	Unit	Other
100	'W' option	Contact us

SPECIFICATION

ELECTRICAL CHARACTERISTICS

Impedance		50 Ω
Frequency		0-12.4 GHz
VSWR	1.15 +	0,0600 x F(GHz) Maxi
Insertion loss		0.1 √F(GHz) dB Maxi
RF leakage	- (*40 - F(GHz)) dB Maxi
Voltage rating		170 Veff Maxi
Dielectric withstanding voltage		500 Veff mini
Insulation resistance		5000 MΩ mini

CABLE ASSEMBLY

Stripping	a	b	c	d	e	f
mm	1,50	7,50	12,5	0,00	11,0	0,00

Assembly instruction :

Recommended cable(s)
RG 178

Characteristics indicated on this data sheet are those that can be achieved with the highest performance cable. Intrinsic limitations of the cable may diminish the performance of the assembly

Cable retention

- pull off	35 N mini
- torque	NA N.cm

MECHANICAL CHARACTERISTICS

Center contact retention		
Axial force – Mating end	27	N mini
Axial force – Opposite end	27	N mini
Torque	NA	N.cm mini

Recommended torque		
Mating	NA	N.cm
Panel nut	150	N.cm
Clamp nut	NA	N.cm
A/F clamp nut	0,0000	mm

Mating life	500	Cycles mini
Weight	4,2700	g

TOOLING

Part Number	Description	Hexagon
R282.211.000	CRIMPING TOOL	3.25
R282.235.003	CRIMPING DIES	3.25
R282.293.000	CRIMPING TOOL	

OTHER CHARACTERISTICS

*The shielding effectiveness is limited by the RG178 cable

ENVIRONMENTAL

Operating temperature	-65/+105	° C
Hermetic seal	NA	Atm.cm3/s
Panel leakage	IP67	

Issue : 0618 B

In the effort to improve our products, we reserve the right to make changes judged to be necessary.



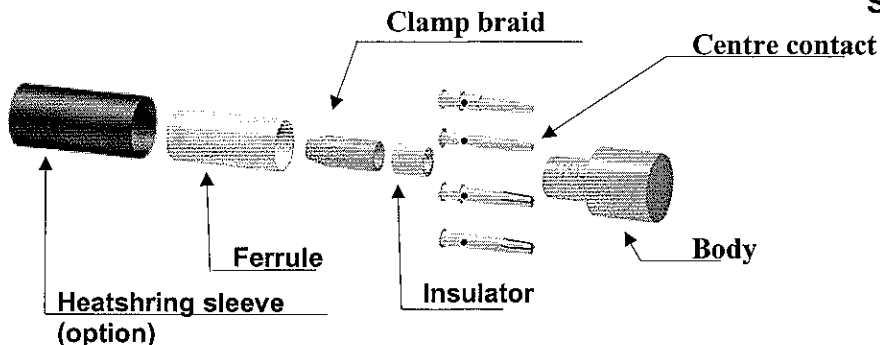
STRAIGHT BULKEAD JACK COMBINATION SEAL

R125.320.020

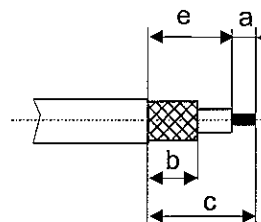
REAR MOUNTING CRIMP TYPE - CABLE 2/50S

Series : SMA

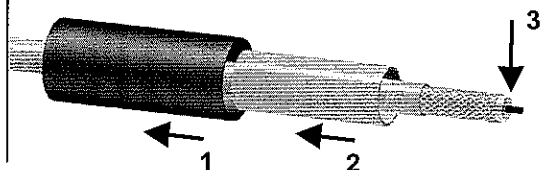
COMPONENTS



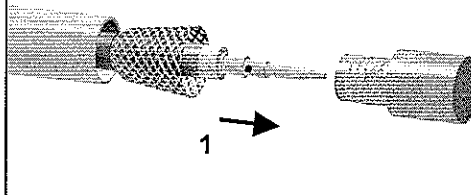
STRIPPING DIMENSIONS



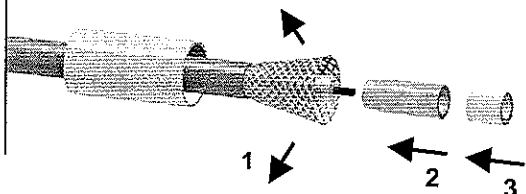
1
Slide the heatshrink sleeve onto the cable (Option).
Slide the ferrule onto the cable.
Strip the cable.



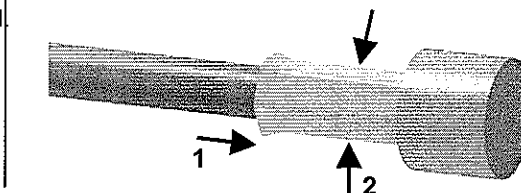
4
Slide cable into body until it bottoms against insulator.



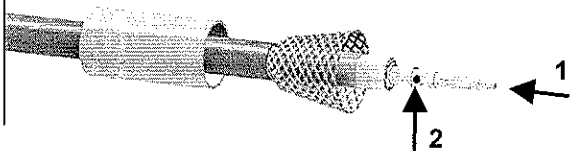
2
Fan the braid and brush it to respect the cable retention sanction .
Slide the braid clamp and the insulator between the dielectric and the braid.
Slide the insulator between the dielectric and the braid.



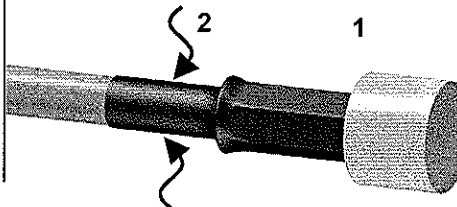
5
Slide the ferrule over the braid.
Crimp the ferrule with crimping tool (see connector



3
Slide on the centre contact until it bottoms against the cable dielectric.
Solder or crimp the centre contact with crimping tool (see connector TDS).
Clean solder area if necessary.



6
Cut the excess of braid if necessary.
Slide the sleeve over the ferrule and heatshrink it in place (Option).



Issue : 0618 B

In the effort to improve our products, we reserve the right to make changes judged to be necessary.



X-ON Electronics

Largest Supplier of Electrical and Electronic Components

Click to view similar products for [RF Connectors / Coaxial Connectors](#) category:

Click to view products by [Radiall](#) manufacturer:

Other Similar products are found below :

[8915-1511-000](#) [89674-0827](#) [6001-7071-019](#) [6002-7051-003](#) [6002-7551-202](#) [6059674-1](#) [619550-1](#) [630059-000](#) [M39030/3-01N](#) [6500-7071-046](#) [6769](#) [CX050L2AQ](#) [7002-1541-010](#) [7002-1542-011](#) [7004-1512-000](#) [7009-1511-004](#) [7010-1511-000](#) [7029-1511-060](#) [7101-1541-010](#) [7101-1571-002](#) [7145-1521-002](#) [7203-1571-003](#) [7209-1511-011](#) [7210-1511-015](#) [7210-1511-019](#) [73137-5015](#) [73216-2241](#) [73404-2300](#) [7405-1521-005](#) [7405-1521-802](#) [8527](#) [8547](#) [FS11V](#) [877931](#) [8808-1511-001](#) [9049-9513-000](#) [9074-9513-000](#) [9101-9573-002](#) [910A205F](#) [9130-9573-002](#) [PL11SC-026](#) [PL375-33](#) [PL40-5](#) [PL74C-221](#) [PL75MC-217](#) [PL803-7](#) [980-8666-005](#) [1200690078](#) [1-201144-1](#) [R107003010W](#)