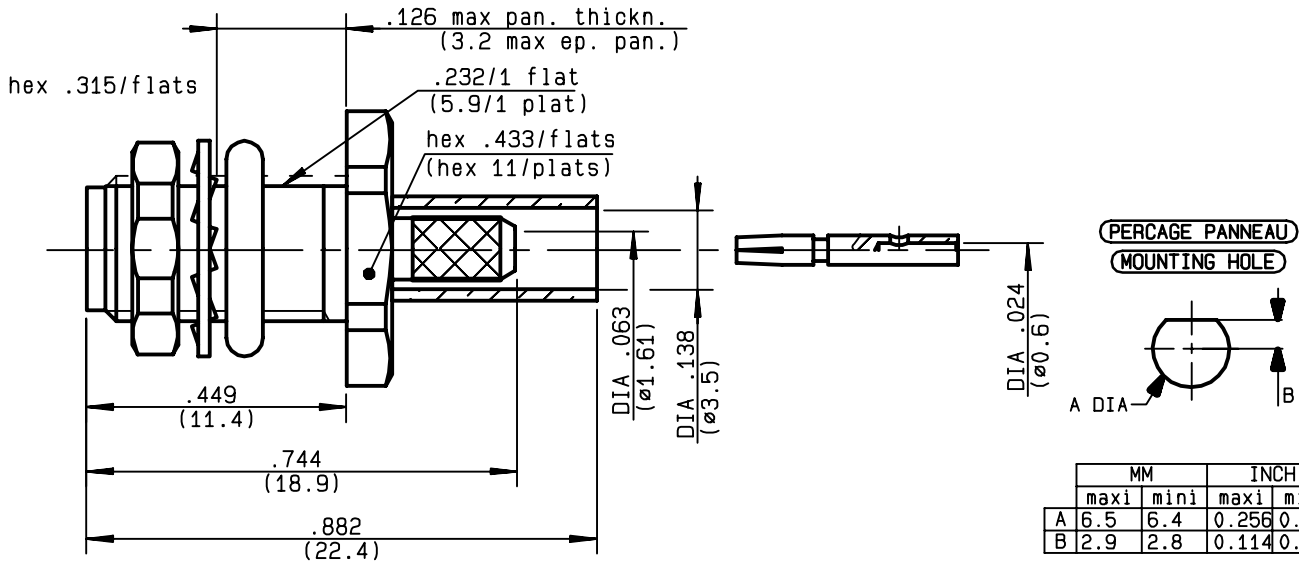


**STRAIGHT BULKHEAD JACK PANEL SEAL
CRIMP TYPE - CABLE 2.6/50 D**

R125.322.030
SERIES SMA



MM		INCH	
maxi	mini	maxi	mini
A 6.5	6.4	0.256	0.25
B 2.9	2.8	0.114	0.11

NOMINAL IMPEDANCE	50 Ω
FREQUENCY RANGE	0-12.4 GHz
TEMPERATURE RATING	-65/+165 °C
V.S.W.R	1.15 + .02 x F(GHz)Maxi
RF INSERTION LOSS	0.06 √F(GHz) dB Maxi
VOLTAGE RATING	250 Veff Maxi
DIELECTRIC WITHSTANDING VOLTAGE	750 Veff Mini
INSULATION RESISTANCE	5000 MΩMini
HERMETIC SEAL	NA Atm.cm ³ /s
LEAKAGE (pressurized only)	NA
MECHANICAL DURABILITY	500 Cycles
WEIGHT	3.77 gr
SPECIFICATION	

CABLES : **K02252D**
RD 316

OTHERS CHARACTERISTICS

CABLE RETENTION	110 N Mini
CENTER CONTACT RETENTION	
Axial force - mating end	15 N Mini
Axial force - opposite end	15 N Mini
Torque	NA cm.N Mini
RECOMMENDED TORQUES	
Mating	NA cm.N
Panel nut	150 cm.N
Clamp nut	NA cm.N

CONNECTOR PARTS	MATERIALS	FINISH	(all values are given in micrometers)
BODY	STAINLESS STEEL	GOLD 0.8 OVER NICKEL 2	
OUTER CONTACT			
CENTER CONTACT	BERYLLIUM COPPER	GOLD 1.3 OVER NICKEL 2	
INSULATOR	PTFE	-	
GASKET	SILICONE RUBBER	-	
OTHERS PIECES	STAINLESS STEEL	GOLD 0.8 OVER NICKEL 2	

ISSUE	CREATION DATE	FILE PART-NUMBER
9840C00	13/07/1994	92-0132-795



LELEU

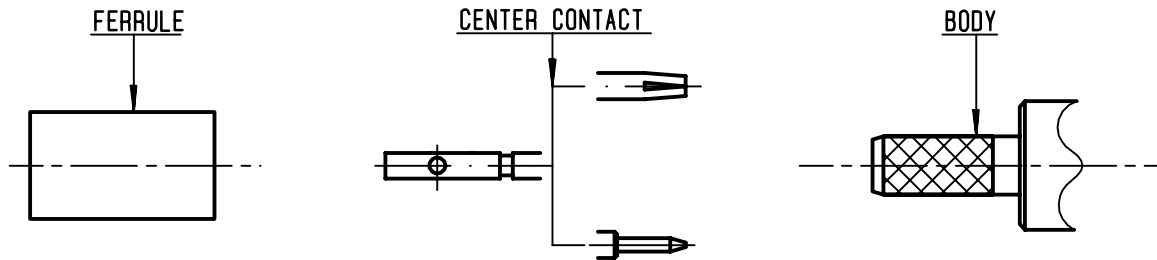
The information given here is subject to change without notice.
Design changes may be in order to improve the product .

Connect to the future



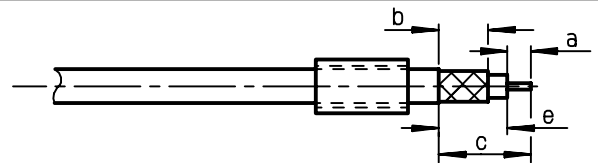
R125.322.030

ISSUE **9840C00** SERIES **SMA**



①

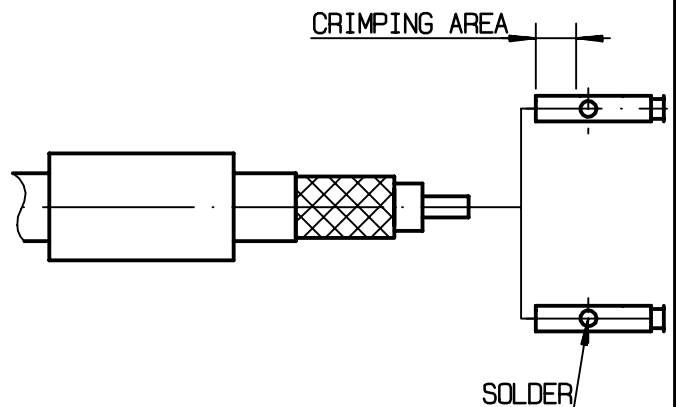
Slide onto the cable the ferrule
Strip the cable .
-
-



Stripping	a	b	c	d	e
inch	0.13	0.236	0.429	0	0.299
mm	3.3	6	10.9		7.6

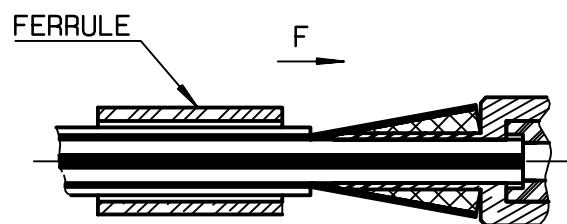
②

2-1 If crimping: Slide on the centre contact until it bottoms against cable dielectric. Crimp centre contact.
Crimping tool: R282 281 000 + positionner R282 967 012 - position 5
-
2-2 If solder: Slide the centre contact until it bottoms against cable dielectric. Solder it.



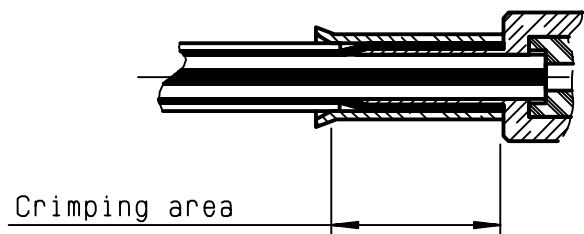
③

Fan the braid .
Slide cable into the body until it bottoms against insulator and contact snaps into insulator. Slide the ferrule over the braid. (in direction F).



④

Crimp the ferrule with crimping tool R 282 271 000 (Hex. : .151) or crimping tool R282 293 000 (M22520/5-01) + dies R282 235 037 (M22520/5-37)
Cut the excess of braid .
-
-
-
-



X-ON Electronics

Largest Supplier of Electrical and Electronic Components

Click to view similar products for [RF Connectors / Coaxial Connectors](#) category:

Click to view products by [Radiall](#) manufacturer:

Other Similar products are found below :

[8915-1511-000](#) [89674-0827](#) [6001-7071-019](#) [6002-7051-003](#) [6002-7551-202](#) [6059674-1](#) [619550-1](#) [630059-000](#) [M39030/3-01N](#) [6500-7071-046](#) [6769](#) [CX050L2AQ](#) [7002-1541-010](#) [7002-1542-011](#) [7004-1512-000](#) [7009-1511-004](#) [7010-1511-000](#) [7029-1511-060](#) [7101-1541-010](#) [7101-1571-002](#) [7145-1521-002](#) [7203-1571-003](#) [7209-1511-011](#) [7210-1511-015](#) [7210-1511-019](#) [73137-5015](#) [73216-2241](#) [73404-2300](#) [7405-1521-005](#) [7405-1521-802](#) [8527](#) [8547](#) [FS11V](#) [877931](#) [8808-1511-001](#) [9049-9513-000](#) [9074-9513-000](#) [9101-9573-002](#) [910A205F](#) [9130-9573-002](#) [PL11SC-026](#) [PL375-33](#) [PL40-5](#) [PL74C-221](#) [PL75MC-217](#) [PL803-7](#) [1200690078](#) [1-201144-1](#) [R107003010W](#) [R110A172100](#)