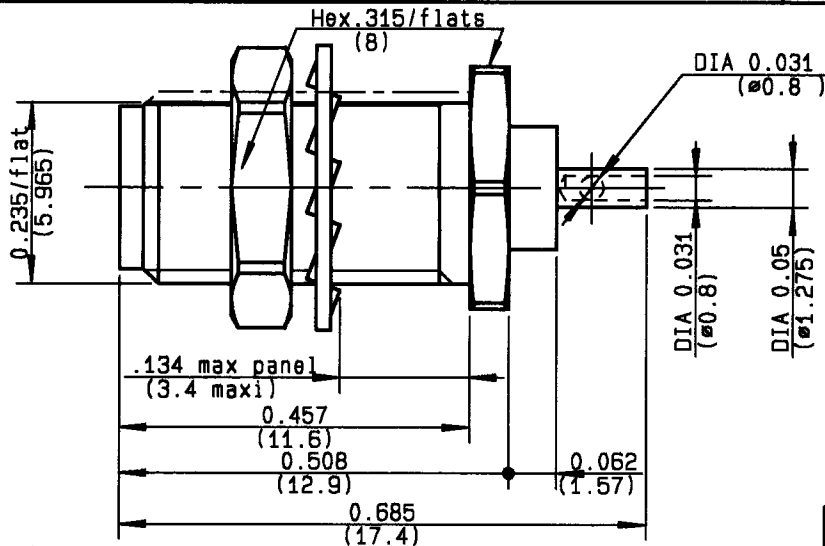
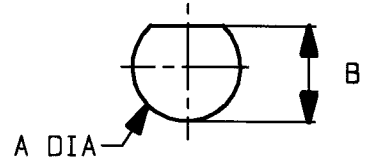


BULKEAD RECEPTACLE REAR MOUNTING



PERCAGE PANNEAU
MOUNTING HOLE



	MM		INCH	
	maxi	mini	maxi	mini
A	6.5	6.4	0.256	0.25
B	6.14	6	0.242	0.236

CABLES : -

CHARACTERISTICS

NOMINAL IMPEDANCE	50	Ω
FREQUENCY RANGE	NA	GHz
TEMPERATURE RATING	-65/+165	°C
VSWR	NA +	0 x F(GHz)Max1
RF INSERTION LOSS	NA	√F(GHz) dB Max1
VOLTAGE RATING	335	V _{rms} Max
DIELECTRIC WITHSTANDING VOLTAGE	1000	V _{rms} min
INSULATION RESISTANCE	5000	MΩ min
HERMETIC SEAL	-	cc/s
	NA	Atm.cm3/s
LEAKAGE (pressurized only)	-	psi
	NA	MPa
WEIGHT	0	Oz
	-	g

STANDARDISATION

CABLE RETENTION

CENTER CONTACT RETENTION

Axial force - mating end	6.06	lb min
	27	N
Axial force - opposite end	6.06	lb min
	27	N
Torque (Min)	3.96	Inch.oz
	2.8	cm.N

RECOMMENDED TORQUES

Mating	0	inch.lb
	NA	cm.N
Panel nut	13.27	inch.lb
	150	cm.N
Clamp nut	0	inch.lb
	NA	cm.N

CONSTRUCTION

CONNECTOR PARTS	MATERIALS	FINISH
BODY	STAINLESS STEEL	PASSIVATED
OUTER CONTACT	STAINLESS STEEL	PASSIVATED
CENTER CONTACT	BERYLLIUM COPPER	GOLD OVER NICKEL
INSULATOR	PTFE	-
-	-	-
-	-	-
-	-	-
-	-	-
-	-	-

ISSUE	REVISION No	DESCRIPTION	BY	DATE
-	-	-	-	-
9519	12-05-95	Change rear of c. contact	TRIGUES	12-05-95
9504	94.12.018	Epoxy resin version -> Indent version	BERTHET	25-01-95

Initiated on 01/09/88

The information given here is subject to change without notice. Design changes may be in order to improve the product.



Approval by leleu

X-ON Electronics

Largest Supplier of Electrical and Electronic Components

Click to view similar products for [RF Connectors / Coaxial Connectors](#) category:

Click to view products by [Radiall](#) manufacturer:

Other Similar products are found below :

[8915-1511-000](#) [89674-0827](#) [6001-7071-019](#) [6002-7051-003](#) [6002-7551-202](#) [6059674-1](#) [619550-1](#) [630059-000](#) [M39030/3-01N](#) [6500-7071-046](#) [6769](#) [CX050L2AQ](#) [7002-1541-010](#) [7002-1542-011](#) [7004-1512-000](#) [7009-1511-004](#) [7010-1511-000](#) [7029-1511-060](#) [7101-1541-010](#) [7101-1571-002](#) [7145-1521-002](#) [7203-1571-003](#) [7209-1511-011](#) [7210-1511-015](#) [7210-1511-019](#) [73137-5015](#) [73216-2241](#) [73404-2300](#) [7405-1521-005](#) [7405-1521-802](#) [8527](#) [8547](#) [FS11V](#) [877931](#) [8808-1511-001](#) [9049-9513-000](#) [9074-9513-000](#) [9101-9573-002](#) [910A205F](#) [9130-9573-002](#) [PL11SC-026](#) [PL375-33](#) [PL40-5](#) [PL74C-221](#) [PL75MC-217](#) [PL803-7](#) [980-8666-005](#) [1200690078](#) [1-201144-1](#) [R107003010W](#)