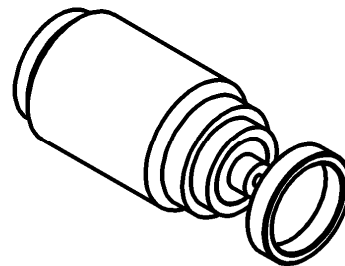
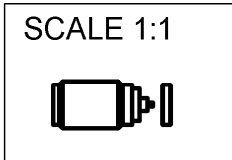
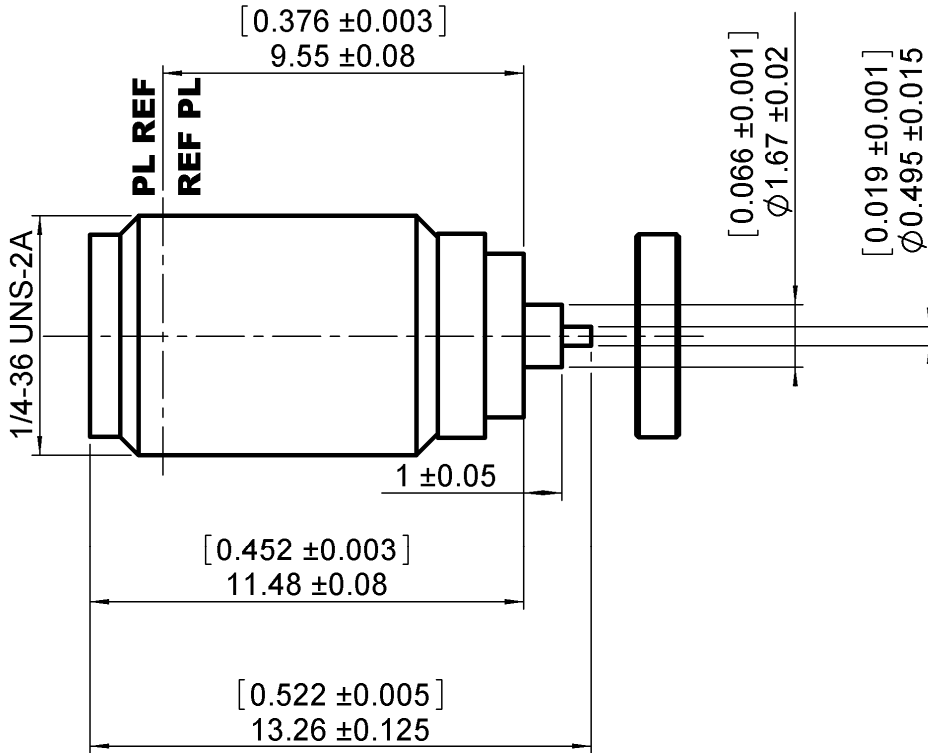


SCREW ON FEMALE RECEPTACLE
HERMETIC-WITH CYLINDRICAL CONTACT

R125.609.000

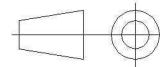
Series : SMA



All dimensions are in mm.

pn

ao



COMPONENTS	MATERIALS	PLATINGS (µm)
BODY	STAINLESS STEEL.	GOLD 0.5 OVER NICKEL 2
CENTER CONTACT	BERYLLIUM COPPER	GOLD 1.3 OVER NICKEL2
OUTER CONTACT	-	-
INSULATOR	PTFE	-
GASKET	ALUMINIUM ALLOY	GOLD 1.3 OVER NICKEL2
OTHERS PARTS	BERYLLIUM COPPER	-
-	-	-
-	-	-

Issue : 1941 D

In the effort to improve our products, we reserve the right to make changes judged to be necessary.



**SCREW ON FEMALE RECEPTACLE
HERMETIC-WITH CYLINDRICAL CONTACT**

R125.609.000

Series : SMA

PACKAGING

Standard	Unit	Other
1	-	Contact us

SPECIFICATION

ELECTRICAL CHARACTERISTICS

Impedance		50 Ω
Frequency		0-26.5 GHz
VSWR	1.10 +	0,0100 x F(GHz) Maxi
Insertion loss		0.12 √F(GHz) dB Maxi
RF leakage	- (100 - F(GHz)) dB Maxi
Voltage rating		500 Veff Maxi
Dielectric withstanding voltage		1000 Veff mini
Insulation resistance		5000 MΩ mini

ENVIRONMENTAL

Operating temperature	-65/+165 ° C
Hermetic seal	10-5 Atm.cm3/s
Panel leakage	IP68

OTHERS CHARACTERISTICS

Assembly instruction

Others :
Storage temperature : ambient

MECHANICAL CHARACTERISTICS

Center contact retention		
Axial force – Mating end		27 N mini
Axial force – Opposite end		27 N mini
Torque		2.8 N.cm mini
Recommended torque		
Mating		NA N.cm
Panel nut		280 N.cm
Mating life		500 Cycles mini
Weight		1,7400 g

Issue : 1941 D

In the effort to improve our products, we reserve the right to make changes judged to be necessary.

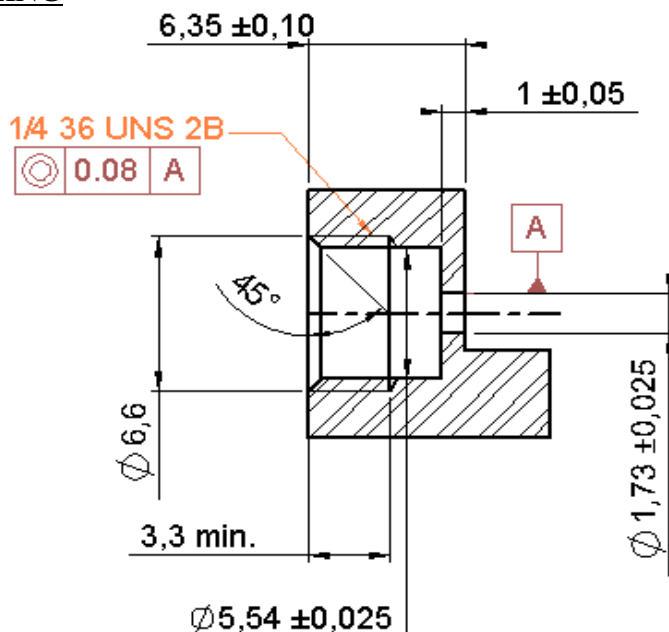


SCREW ON FEMALE RECEPTACLE
HERMETIC-WITH CYLINDRICAL CONTACT

R125.609.000

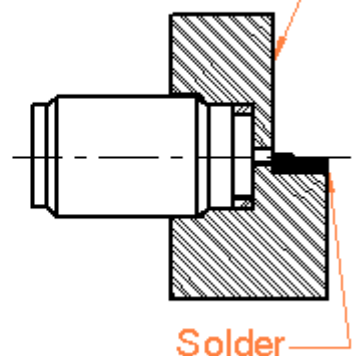
Series : SMA

PANEL DRILLING



RECOMMENDED MOUNTING HOLE DETAIL

Panel deformation less than 25μ



Assemble metal gasket onto connector.
 Screw both parts into the housing.
 Tighten the connector up to 280Ncm +or-
 10Ncm (use special tooling set RADIALL
 R282.341.012).
 Thus the connexion hermeticity is
 guaranteed at 1 . 10⁻⁵atm. cm³/s.
 Then solder the pin on the track.
 Be careful not to put too much solder.

Issue : 1941 D

In the effort to improve our products, we reserve the right to make changes judged to be necessary.



X-ON Electronics

Largest Supplier of Electrical and Electronic Components

Click to view similar products for [RF Connectors / Coaxial Connectors](#) category:

Click to view products by [Radiall](#) manufacturer:

Other Similar products are found below :

[8915-1511-000](#) [89674-0827](#) [6001-7071-019](#) [6002-7051-003](#) [6002-7551-202](#) [6059674-1](#) [619550-1](#) [630059-000](#) [M39030/3-01N](#) [6500-7071-046](#) [6769](#) [CX050L2AQ](#) [7002-1541-010](#) [7002-1542-011](#) [7004-1512-000](#) [7009-1511-004](#) [7010-1511-000](#) [7029-1511-060](#) [7101-1541-010](#) [7101-1571-002](#) [7145-1521-002](#) [7203-1571-003](#) [7209-1511-011](#) [7210-1511-015](#) [7210-1511-019](#) [73137-5015](#) [73216-2241](#) [73404-2300](#) [7405-1521-005](#) [7405-1521-802](#) [8527](#) [8547](#) [FS11V](#) [877931](#) [8808-1511-001](#) [9049-9513-000](#) [9074-9513-000](#) [9101-9573-002](#) [910A205F](#) [9130-9573-002](#) [PL11SC-026](#) [PL375-33](#) [PL40-5](#) [PL74C-221](#) [PL75MC-217](#) [PL803-7](#) [980-8666-005](#) [1200690078](#) [1-201144-1](#) [R107003010W](#)