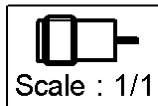
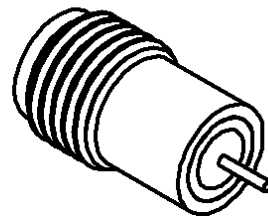
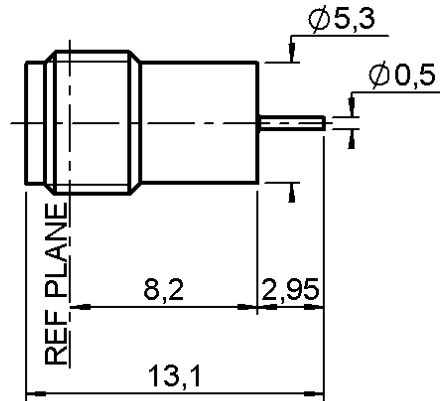


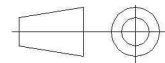
**SOLDER JACK RECEPTACLE**  
**HERMETIC-WITH CYLINDRICAL CONTACT**

**R125.630.040**

Series : SMA



All dimensions are in mm.



COMPONENTS	MATERIALS	PLATINGS (µm)
BODY	INOX	GOLD 0.5 OVER NICKEL 2
CENTER CONTACT	DILVER P	GOLD 0.5 OVER NICKEL 2
OUTER CONTACT	-	-
INSULATOR	PTFE	-
GASKET	-	-
OTHERS PARTS	-	-
-	-	-
-	-	-

Issue : 1220 A

In the effort to improve our products, we reserve the right to make changes judged to be necessary.



**SOLDER JACK RECEPTACLE**

**R125.630.040**

**HERMETIC-WITH CYLINDRICAL CONTACT**

Series : SMA

**PACKAGING**

**SPECIFICATION**

Standard	Unit	Other
<b>1</b>	-	<b>Contact us</b>

**ELECTRICAL CHARACTERISTICS**

Impedance	<b>50</b>	$\Omega$
Frequency	<b>0-18</b>	GHz
VSWR	<b>1.10 + 0,0100</b>	x F(GHz) Maxi
Insertion loss	<b>0.3</b>	$\sqrt{F(GHz)}$ dB Maxi
RF leakage	- ( <b>NA</b> )	- F(GHz)) dB Maxi
Voltage rating	<b>500</b>	Veff Maxi
Dielectric withstanding voltage	<b>1000</b>	Veff mini
Insulation resistance	<b>5000</b>	M $\Omega$ mini

**ENVIRONMENTAL**

Operating temperature	<b>-40/+100</b>	$^{\circ}$ C
Hermetic seal	<b>10-5</b>	Atm.cm <sup>3</sup> /s
Panel leakage	<b>NA</b>	

**OTHERS CHARACTERISTICS**

Assembly instruction

Others :  
Coaxial Transmission Line Only

**MECHANICAL CHARACTERISTICS**

Center contact retention		
Axial force – Mating end	<b>27</b>	N mini
Axial force – Opposite end	<b>27</b>	N mini
Torque	<b>NA</b>	N.cm mini
Recommended torque		
Mating	<b>NA</b>	N.cm
Panel nut	<b>NA</b>	N.cm
Mating life	<b>500</b>	Cycles mini
Weight	<b>1,1500</b>	g

Issue : 1220 A

In the effort to improve our products, we reserve the right to make changes judged to be necessary.



**SOLDER JACK RECEPTACLE**

**R125.630.040**

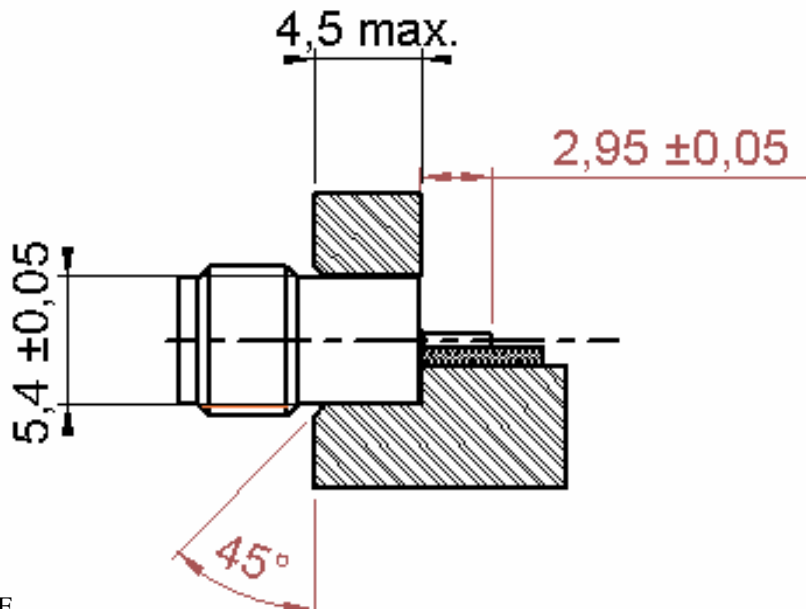
**HERMETIC-WITH CYLINDRICAL CONTACT**

Series : SMA

**RECOMMENDED MOUNTING HOLE DETAIL**

PANEL WITH THROUGH HOLE

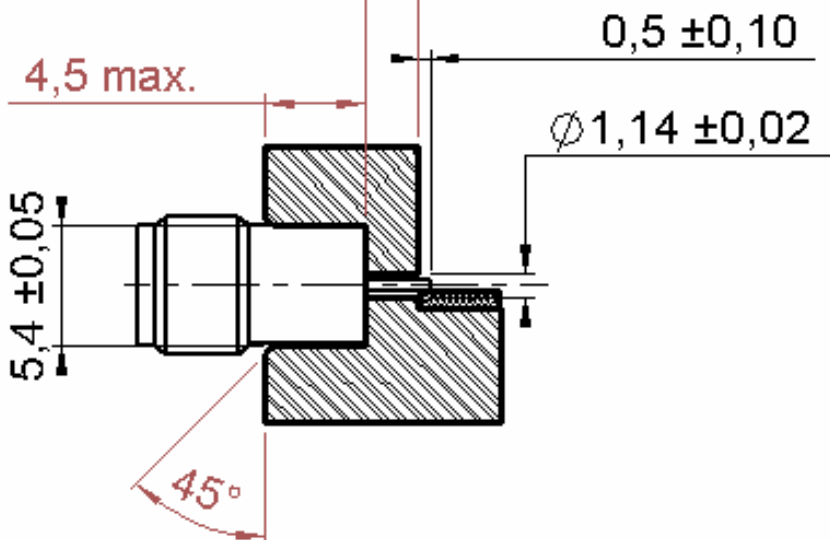
Frequency range 0 – 18 GHz  
 VSWR < 1.10 + 0.03 F



PANEL WITH BLIND HOLE

Frequency range 0 – 18 GHz  
 VSWR < 1.05+0.02F

1 to 2.4 according  
 to customer's application



Issue : 1220 A

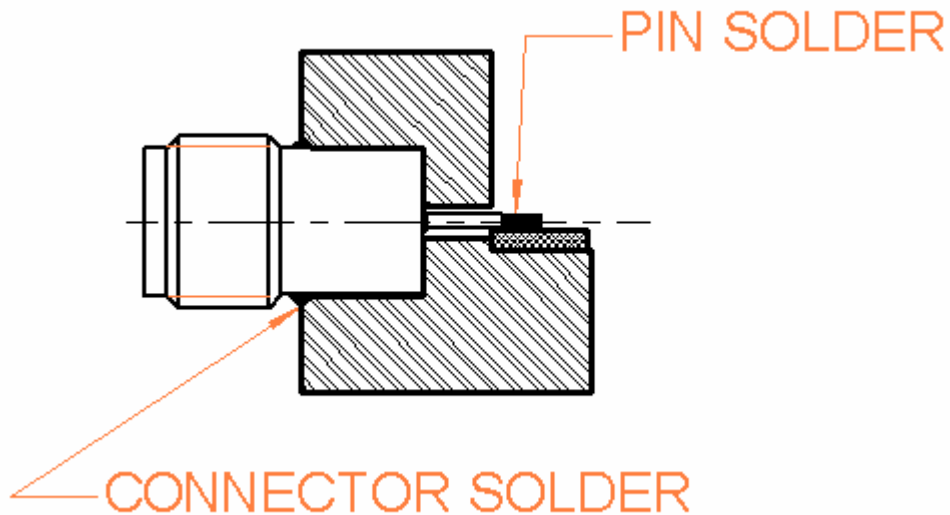
In the effort to improve our products, we reserve the right to make changes judged to be necessary.



**SOLDER JACK RECEPTACLE**  
**HERMETIC-WITH CYLINDRICAL CONTACT**

**R125.630.040**

Series : SMA

**MOUNTING INSTRUCTIONS**

- 1 – Degrease and clean connector and box.
- 2 – Solder the connector on the panel:  
Preheating at about 100°C.  
Take care not to exceed 250°C during solder operation .
- 3 – Solder the pin on the track:  
-ceramic substrates: preheating at about 100°C.  
-other substrates: no preheating required.

NOTE: Please use a small soldering iron ,or hot air soldering system.

**Issue :** 1220 A

In the effort to improve our products, we reserve the right to make changes judged to be necessary.



## X-ON Electronics

Largest Supplier of Electrical and Electronic Components

*Click to view similar products for [RF Connectors](#) / [Coaxial Connectors](#) category:*

*Click to view products by [Radiall](#) manufacturer:*

Other Similar products are found below :

[8915-1511-000](#) [89674-0827](#) [6001-7071-019](#) [6002-7051-003](#) [6002-7551-202](#) [6059674-1](#) [619550-1](#) [630059-000](#) [M39030/3-01N](#) [6500-7071-046](#) [6769](#) [CX050L2AQ](#) [7002-1541-010](#) [7002-1542-011](#) [7004-1512-000](#) [7009-1511-004](#) [7010-1511-000](#) [7029-1511-060](#) [7101-1541-010](#) [7101-1571-002](#) [7145-1521-002](#) [7203-1571-003](#) [7209-1511-011](#) [7210-1511-015](#) [7210-1511-019](#) [73137-5015](#) [73216-2241](#) [73404-2300](#) [7405-1521-005](#) [7405-1521-802](#) [8527](#) [8547](#) [FS11V](#) [877931](#) [8808-1511-001](#) [9074-9513-000](#) [9101-9573-002](#) [910A205F](#) [9130-9573-002](#) [PL11SC-026](#) [PL375-33](#) [PL40-5](#) [PL74C-221](#) [PL75MC-217](#) [PL803-7](#) [1200690078](#) [1-201144-1](#) [R107003010W](#) [R110A172100](#) [R112186000](#)