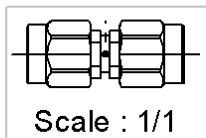
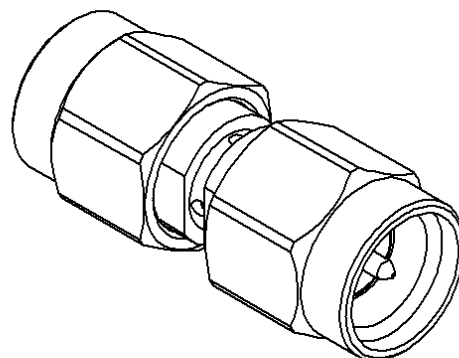
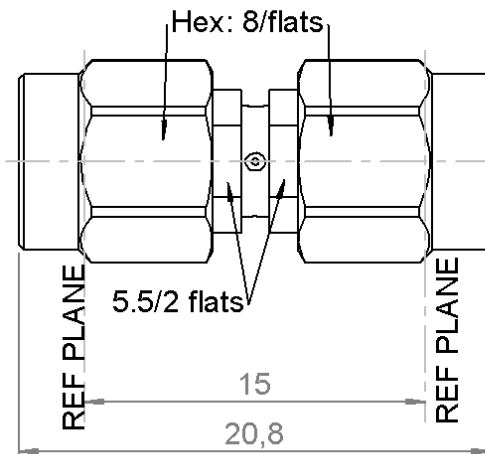
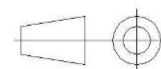


PAGE 1/2	ISSUE 28-02-17C	SERIES SMA	PART NUMBER R125703000
----------	-----------------	------------	------------------------



All dimensions are in mm.



COMPONENTS	MATERIALS	PLATING (μm)
Body	<b>STAINLESS STEEL</b>	<b>GOLD 0.5 OVER NICKEL 2</b>
Center contact	<b>BRASS</b>	<b>GOLD 2.5 OVER NICKEL 2</b>
Outer contact	-	-
Insulator	<b>PTFE</b>	-
Gasket	<b>SILICONE RUBBER</b>	-
Others parts	<b>STAINLESS STEEL</b>	<b>GOLD 0.5 OVER NICKEL 2</b>
-	-	-
-	-	-

PAGE 2/2	ISSUE 28-02-17C	SERIES SMA	PART NUMBER R125703000
----------	-----------------	------------	------------------------

### PACKAGING

Standard	Unit	Other
100	Contact us	Contact us

### ELECTRICAL CHARACTERISTICS

Impedance		<b>50</b>	Ω
Frequency		<b>0-18</b>	GHz
VSWR	<b>1.20</b>	<b>+</b>	<b>0,0000</b> x F(GHz) Maxi
Insertion loss		<b>0.05</b>	√F(GHz) dB Maxi
RF leakage	- (	<b>100</b>	- F(GHz) dB Maxi
Voltage rating		<b>500</b>	Veff Maxi
Dielectric withstanding voltage		<b>1000</b>	Veff mini
Insulation resistance		<b>5000</b>	MΩ mini

### ENVIRONMENTAL

Operating temperature	<b>-65/+165</b>	°C
Hermetic seal	<b>NA</b>	Atm.cm3/s
Panel leakage	<b>NA</b>	

### MECHANICAL CHARACTERISTICS

Center contact retention			
Axial force – Mating End		<b>27</b>	N mini
Axial force – Opposite end		<b>27</b>	N mini
Torque		<b>2.8</b>	N.cm mini
Recommended torque			
Mating		<b>90</b>	N.cm
Panel nut		<b>NA</b>	N.cm
Mating life		<b>500</b>	Cycles mini
Weight		<b>4,9000</b>	g

### SPECIFICATION

### OTHER CHARACTERISTICS

Assembly instruction:**NA**

Others:

-

## X-ON Electronics

Largest Supplier of Electrical and Electronic Components

*Click to view similar products for [RF Adapters - In Series](#) category:*

*Click to view products by [Radiall](#) manufacturer:*

Other Similar products are found below :

[5916-1103-603](#) [5919-1503-000](#) [651A505](#) [82-5552](#) [9030-9523-502](#) [PN2C](#) [A0407000](#) [R114703000W](#) [R125771001](#) [R141710000W](#)  
[R141723161](#) [R141730000](#) [R143730700](#) [R143770000](#) [R161703000W](#) [R161753000W](#) [R161791530W](#) [R201705000](#) [R222705200](#)  
[R222M40010W](#) [R223703180](#) [R316754000](#) [R405006000](#) [R443162000](#) [AD78TL](#) [HRM-513S](#) [1996352-2](#) [2157155-1](#) [252169-75](#) [AD158](#)  
[2101130-1](#) [252186](#) [R114704000W](#) [R114720000W](#) [R125705001](#) [R125705701](#) [R125771000](#) [R125771001W](#) [R127704001](#) [R127.870.001](#)  
[R127872001](#) [R141717000](#) [R142710000](#) [R142723000](#) [R143703000](#) [R143704000](#) [R143705700](#) [R161715000W](#) [R161771000W](#) [R176754000](#)