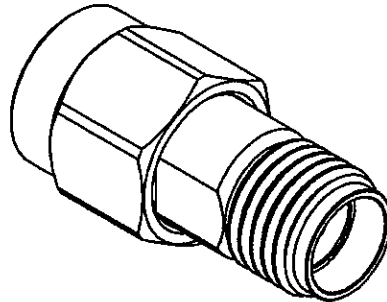
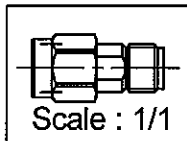
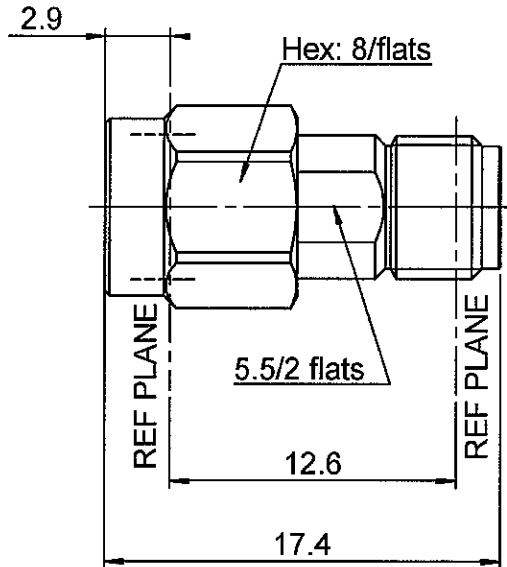


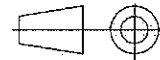
MALE-FEMALE ADAPTOR

R125.704.000

Series : SMA



All dimensions are in mm.



| COMPONENTS | MATERIALS | PLATINGS (µm) |
|----------------|------------------|------------------------|
| BODY | STAINLESS STEEL | GOLD 0.5 OVER NICKEL 2 |
| CENTER CONTACT | BERYLLIUM COPPER | GOLD 2.5 OVER NICKEL 2 |
| OUTER CONTACT | - | - |
| INSULATOR | PTFE | - |
| GASKET | SILICONE RUBBER | - |
| OTHERS PARTS | STAINLESS STEEL | GOLD 0.5 OVER NICKEL 2 |
| - | - | - |
| - | - | - |

Issue : 0519 G

In the effort to improve our products, we reserve the right to make changes judged to be necessary.



MALE-FEMALE ADAPTOR

R125.704.000

Series : SMA

PACKAGING

| Standard | Unit | Other |
|----------|------|------------|
| 1 | - | Contact us |

SPECIFICATION

ELECTRICAL CHARACTERISTICS

| | | |
|---------------------------------|--------|----------------------|
| Impedance | | 50 Ω |
| Frequency | | 0-18 GHz |
| VSWR | 1.05 + | 0.005 x F(GHz) Maxi |
| Insertion loss | | 0.07 √F(GHz) dB Maxi |
| RF leakage | - (| 60 - F(GHz)) dB Maxi |
| Voltage rating | | 500 Veff Maxi |
| Dielectric withstanding voltage | | 1000 Veff mini |
| Insulation resistance | | 5000 MΩ mini |

ENVIRONMENTAL

| | |
|-----------------------|--------------|
| Operating temperature | -65/+165 °C |
| Hermetic seal | NA Atm.cm3/s |
| Panel leakage | NA |

OTHERS CHARACTERISTICS

Assembly instruction NA

Others :
-

MECHANICAL CHARACTERISTICS

| | |
|----------------------------|-----------------|
| Center contact retention | |
| Axial force – Mating end | 27 N mini |
| Axial force – Opposite end | 27 N mini |
| Torque | 2.8 N.cm mini |
| Recommended torque | |
| Mating | 110 N.cm |
| Panel nut | NA N.cm |
| Mating life | 500 Cycles mini |
| Weight | 3.300 g |

Issue : 0519 G

In the effort to improve our products, we reserve the right to make changes judged to be necessary.



RADIALL®

X-ON Electronics

Largest Supplier of Electrical and Electronic Components

Click to view similar products for [RF Adapters - In Series](#) category:

Click to view products by [Radiall](#) manufacturer:

Other Similar products are found below :

[5916-1103-603](#) [5918-1103-000](#) [5919-1503-000](#) [651A505](#) [82-5552](#) [9030-9523-502](#) [PN2C](#) [A0407000](#) [R114703000W](#) [R125771001](#)
[R141710000W](#) [R141723161](#) [R141730000](#) [R143730700](#) [R143770000](#) [R161703000W](#) [R161753000W](#) [R161791530W](#) [R201705000](#)
[R222705200](#) [R222M40010W](#) [R223703180](#) [R316754000](#) [R405006000](#) [R443162000](#) [AD78TL](#) [HRM-513S](#) [1996352-2](#) [2157155-1](#) [252169-75](#)
[AD158](#) [2101130-1](#) [252186](#) [R114704000W](#) [R114720000W](#) [R125705001](#) [R125705701](#) [R125771000](#) [R125771001W](#) [R127704001](#)
[R127.870.001](#) [R127872001](#) [R141717000](#) [R142710000](#) [R142723000](#) [R143703000](#) [R143704000](#) [R143705700](#) [R161715000W](#) [R161771000W](#)