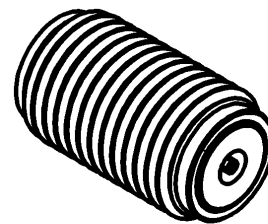
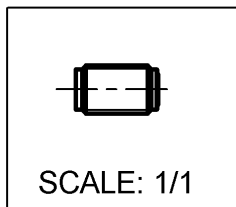
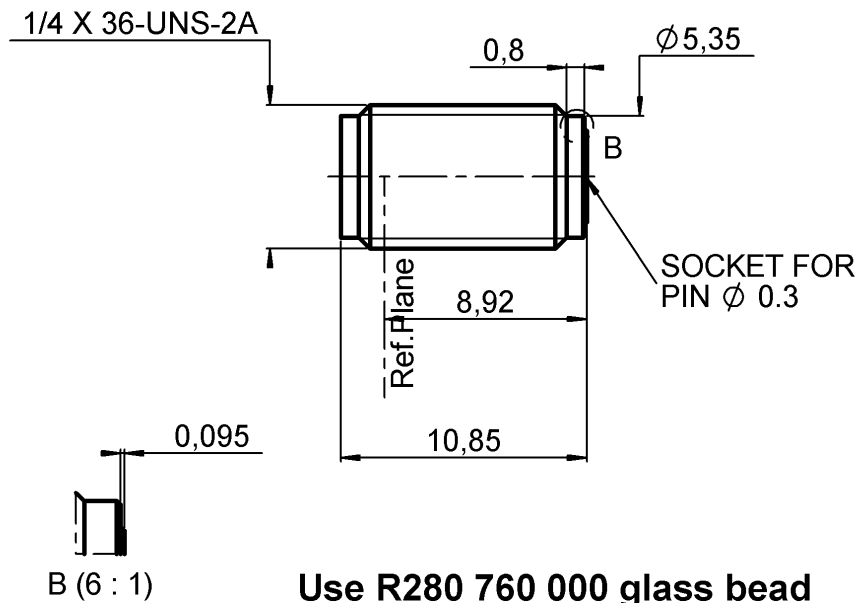


**UNIVERSAL SCREW RECEPTACLE
FOR 0.3 MM AXE**

R127.841.001

Series : SMA2.9



All dimensions are in mm.

COMPONENTS	MATERIALS	PLATINGS (µm)
BODY	STAINLESS STEEL	PASSIVATED .
CENTER CONTACT	BERYLLIUM COPPER	GOLD 1.3 OVER NICKEL 2
OUTER CONTACT	-	-
INSULATOR	ULTEM	-
GASKET	-	-
OTHERS PARTS	BRASS	GOLD 1.3 OVER NICKEL 2
-	-	-
-	-	-

Issue : 0625 A

In the effort to improve our products, we reserve the right to make changes judged to be necessary.



**UNIVERSAL SCREW RECEPTACLE
FOR 0.3 MM AXE**

R127.841.001

Series : SMA2.9

PACKAGING

SPECIFICATION

Standard	Unit	Other
1		Contact us

ELECTRICAL CHARACTERISTICS

Impedance		50 Ω
Frequency		0-40 GHz
VSWR	1.05 +	0,0050 x F(GHz) Maxi
Insertion loss		0.03 √F(GHz) dB Maxi
RF leakage	- (90 - F(GHz)) dB Maxi
Voltage rating		350 Veff Maxi
Dielectric withstanding voltage		750 Veff mini
Insulation resistance		5000 MΩ mini

ENVIRONMENTAL

Operating temperature	-65/+165 ° C
Hermetic seal	NA Atm.cm3/s
Panel leakage	NA

OTHERS CHARACTERISTICS

Assembly instruction

Others :

MECHANICAL CHARACTERISTICS

Center contact retention		
Axial force – Mating end		27 N mini
Axial force – Opposite end		27 N mini
Torque		NA N.cm mini
Recommended torque		
Mating		80-120 N.cm
Panel nut		190 N.cm
Mating life		500 Cycles mini
Weight		1,5600 g

Issue : 0625 A

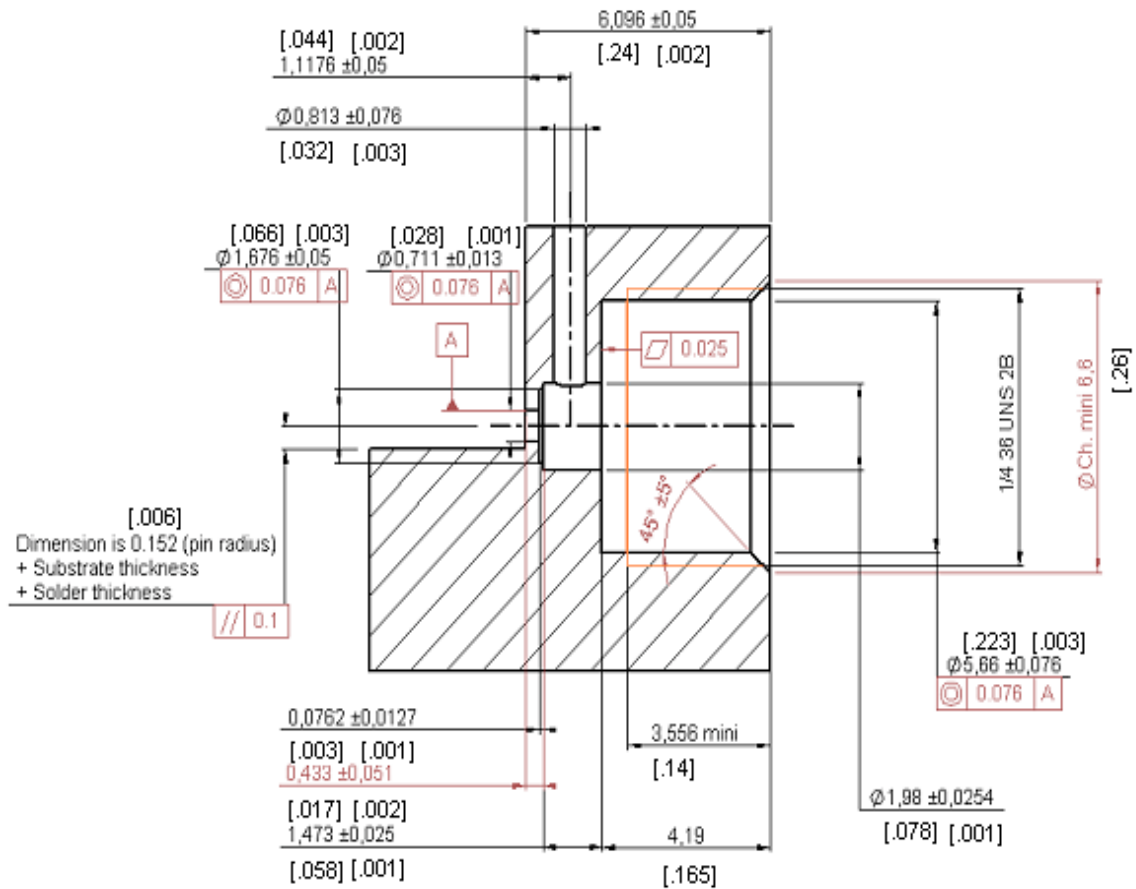
In the effort to improve our products, we reserve the right to make changes judged to be necessary.



UNIVERSAL SCREW RECEPTACLE
FOR 0.3 MM AXE

R127.841.001

Series : SMA2.9



To obtain correct concentricity and dimensions on the panel drilling,
 we recommend to use RADIALL special tools:
 R282.080.000 drilling tool
 and R282.082.000 screw tap

Issue : 0625 A

In the effort to improve our products, we reserve the right to make changes judged to be necessary.



UNIVERSAL SCREW RECEPTACLE

FOR 0.3 MM AXE

R127.841.001

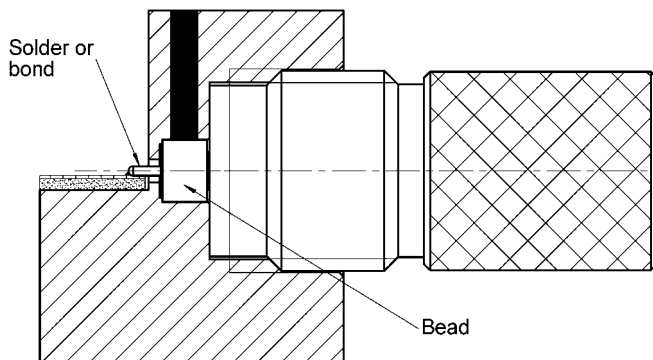
Series : SMA2.9

Soldering of the glass bead and mounting of the SMA 2.9 on the housing

1

SOLDERING of the glass bead

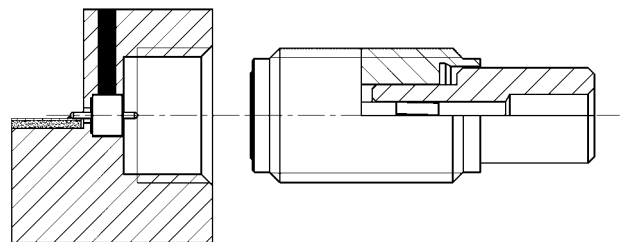
Set up of the R280.760.000 glass bead in the housing.
keep the glass Bead into position thanks to
R282.745.000 Positioneer



3

MOUNTING of the flange on the box

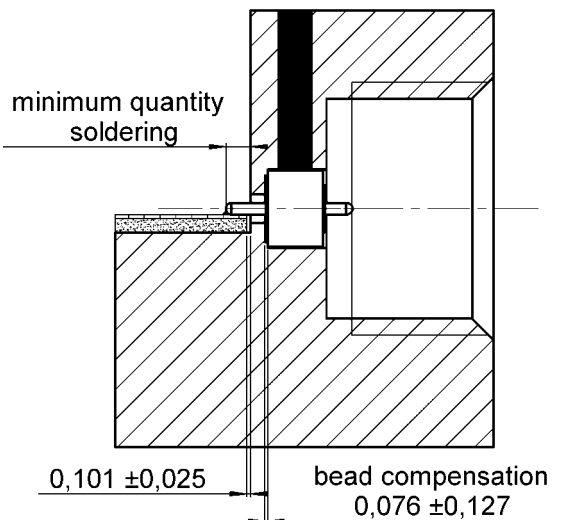
Set up the R282.860.000 position gauge on the flange to ensure a good concentricity.
Screw the assembly on the housing.



2

POSITION of the glass bead after soldering

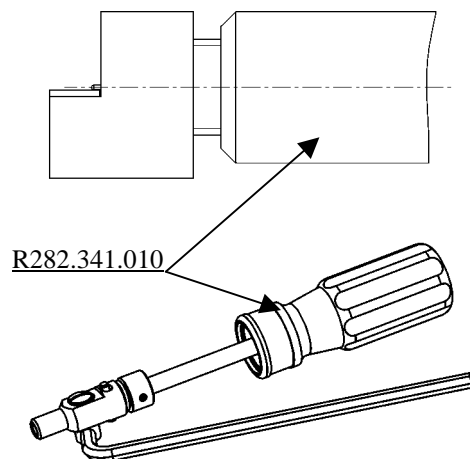
Check the soldering quality as well as the position of the glass bead in the housing.



4

Locking of the flange on the box

Lock the flange on the housing thanks to
R282.341.010 dynamometer screw-driver



Issue : 0625 A

In the effort to improve our products, we reserve the right to make changes judged to be necessary.



X-ON Electronics

Largest Supplier of Electrical and Electronic Components

Click to view similar products for [RF Connectors / Coaxial Connectors](#) category:

Click to view products by [Radiall](#) manufacturer:

Other Similar products are found below :

[8915-1511-000](#) [89674-0827](#) [6001-7071-019](#) [6002-7051-003](#) [6002-7551-202](#) [6059674-1](#) [619550-1](#) [630059-000](#) [M39030/3-01N](#) [6500-7071-046](#) [6769](#) [CX050L2AQ](#) [7002-1541-010](#) [7002-1542-011](#) [7004-1512-000](#) [7009-1511-004](#) [7010-1511-000](#) [7029-1511-060](#) [7101-1541-010](#) [7101-1571-002](#) [7145-1521-002](#) [7203-1571-003](#) [7209-1511-011](#) [7210-1511-015](#) [7210-1511-019](#) [73137-5015](#) [73216-2241](#) [73404-2300](#) [7405-1521-005](#) [7405-1521-802](#) [8527](#) [8547](#) [FS11V](#) [877931](#) [8808-1511-001](#) [9074-9513-000](#) [9101-9573-002](#) [910A205F](#) [9130-9573-002](#) [PL11SC-026](#) [PL375-33](#) [PL40-5](#) [PL74C-221](#) [PL75MC-217](#) [PL803-7](#) [1200690078](#) [1-201144-1](#) [R107003010W](#) [R110A172100](#) [R112186000](#)