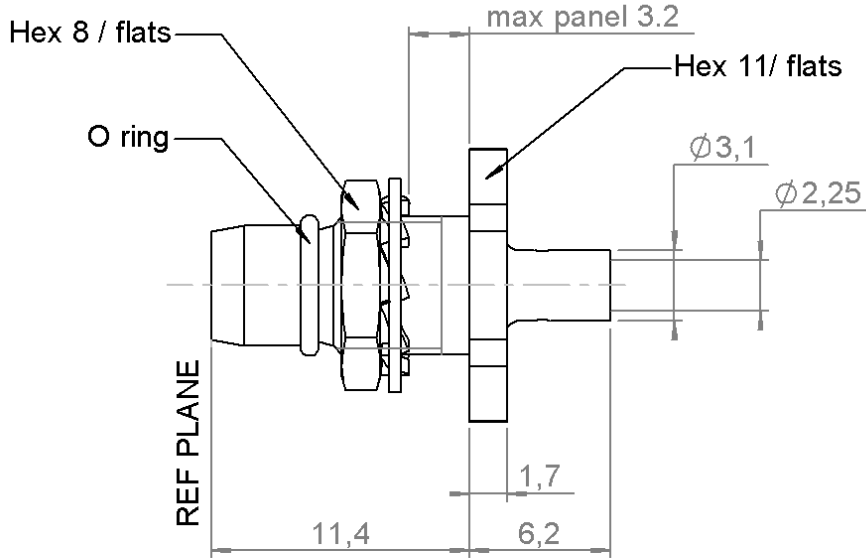


STRAIGHT BULKHEAD PLUG SOLDER TYPE

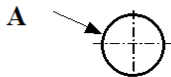
R128.052.000

CABLE .085

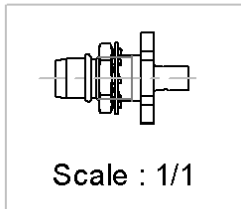
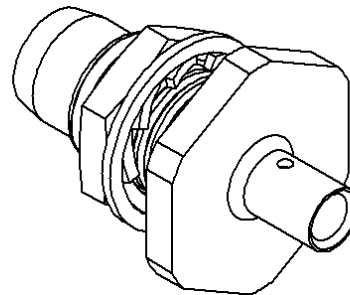
Series : BMA



PANEL CUT OUT



| mm | | |
|----|-------|------|
| | Maxi | mini |
| A | 6.175 | 6.15 |



All dimensions are in mm.



| COMPONENTS | MATERIALS | PLATINGS (µm) |
|----------------|------------------|------------------------|
| BODY | STAINLESS STEEL | GOLD 0.5 OVER NICKEL 2 |
| CENTER CONTACT | BERYLLIUM COPPER | GOLD 1.3 OVER NICKEL2 |
| OUTER CONTACT | - | - |
| INSULATOR | PTFE | - |
| GASKET | SILICONE RUBBER | - |
| OTHERS PARTS | BRASS | NICKEL 2 |
| - | - | - |
| - | - | - |

Issue : 1301 C

In the effort to improve our products, we reserve the right to make changes judged to be necessary.



RADIALL®

STRAIGHT BULKHEAD PLUG SOLDER TYPE

R128.052.000

CABLE .085

Series : BMA

PACKAGING

| Standard | Unit | Other |
|------------|-----------------|-------------------|
| 100 | OPTION W | Contact us |

SPECIFICATION

CABLE ASSEMBLY

ELECTRICAL CHARACTERISTICS

| Stripping | a | b | c | d | e | f |
|-----------|------|------|------|------|------|------|
| mm | 1,78 | 0,00 | 0,00 | 0,00 | 0,00 | 0,00 |

| | | |
|---------------------------------|----------------------|--------------------------|
| Impedance | 50 | Ω |
| Frequency | 0-22 | GHz |
| VSWR | 1.07 + 0,0100 | x F(GHz) Maxi |
| Insertion loss | 0.03 | \sqrt{F} (GHz) dB Maxi |
| RF leakage | - (NA | - F(GHz)) dB mini |
| Voltage rating | 350 | Veff Maxi |
| Dielectric withstanding voltage | 1000 | Veff mini |
| Insulation resistance | 5000 | M Ω mini |

Assembly instruction :

Recommended cable(s)
KS 1
RG 405

Cable retention

- pull off **136** N mini
- torque **NA** N.cm

MECHANICAL CHARACTERISTICS

TOOLING

| | | |
|----------------------------|-----------|-----------|
| Center contact retention | | |
| Axial force – Mating end | 27 | N mini |
| Axial force – Opposite end | 27 | N mini |
| Torque | NA | N.cm mini |

| Part Number | Description | Hexagon |
|--------------|----------------------|---------|
| . | . | . |
| R282.051.000 | STRIPPING TOOL | |
| R282.062.000 | POINTER GAUGE | |
| R282.740.000 | SOLDERING MOUNTING | |
| R282.860.100 | SOLDERING POSITIONER | |

| | | |
|--------------------|---------------|------|
| Recommended torque | | |
| Mating | NA | N.cm |
| Panel nut | 150 | N.cm |
| Clamp nut | NA | N.cm |
| A/F clamp nut | 0,0000 | mm |

OTHERS CHARACTERISTICS

| | | |
|-------------|---------------|-------------|
| Mating life | 1000 | Cycles mini |
| Weight | 0,0000 | g |

ENVIRONMENTAL

| | | |
|-----------------------|-----------------|--------------|
| Operating temperature | -65/+125 | $^{\circ}$ C |
| Hermetic seal | NA | Atm.cm3/s |
| Panel leakage | NA | |

Issue : 1301 C

In the effort to improve our products, we reserve the right to make changes judged to be necessary.



STRAIGHT BULKHEAD PLUG SOLDER TYPE

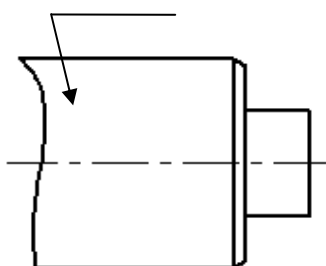
R128.052.000

CABLE .085

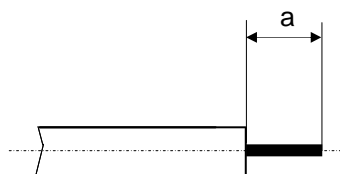
Series : BMA

COMPONENTS

BODY

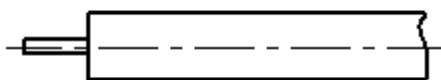


STIPPING DIMENSIONS



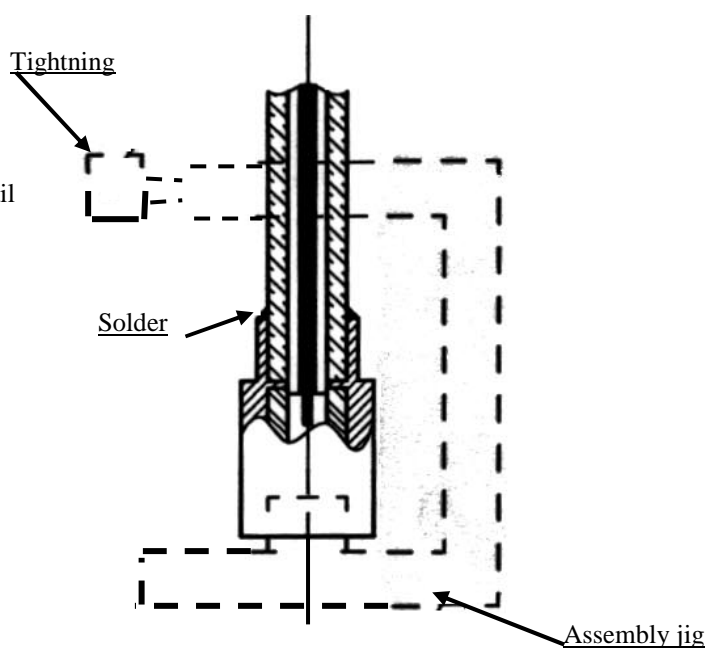
1

- Strip the cable with the cable stripping tool.
- Trim the cable inner conductor with the trimmer.
- Clean the cable



2

- Introduce the cable into the body until contact with the body shoulder..
- Place the sub-assembly on assembly jig
- Solder body on the cable.
- Let assembly cool down before removing it from the jig.



Issue : 1301 C

In the effort to improve our products, we reserve the right to make changes judged to be necessary.



RADIALL®

X-ON Electronics

Largest Supplier of Electrical and Electronic Components

Click to view similar products for [RF Connectors / Coaxial Connectors](#) category:

Click to view products by [Radiall](#) manufacturer:

Other Similar products are found below :

[8915-1511-000](#) [89674-0827](#) [6001-7071-019](#) [6002-7051-003](#) [6002-7551-202](#) [6059674-1](#) [619550-1](#) [630059-000](#) [M39030/3-01N](#) [6500-7071-046](#) [6769](#) [CX050L2AQ](#) [7002-1541-010](#) [7002-1542-011](#) [7004-1512-000](#) [7009-1511-004](#) [7010-1511-000](#) [7029-1511-060](#) [7101-1541-010](#) [7101-1571-002](#) [7145-1521-002](#) [7203-1571-003](#) [7209-1511-011](#) [7210-1511-015](#) [7210-1511-019](#) [73137-5015](#) [73216-2241](#) [73404-2300](#) [7405-1521-005](#) [7405-1521-802](#) [8527](#) [8547](#) [FS11V](#) [877931](#) [8808-1511-001](#) [9049-9513-000](#) [9074-9513-000](#) [9101-9573-002](#) [910A205F](#) [9130-9573-002](#) [PL11SC-026](#) [PL375-33](#) [PL40-5](#) [PL74C-221](#) [PL75MC-217](#) [PL803-7](#) [980-8666-005](#) [1200690078](#) [1-201144-1](#) [R107003010W](#)