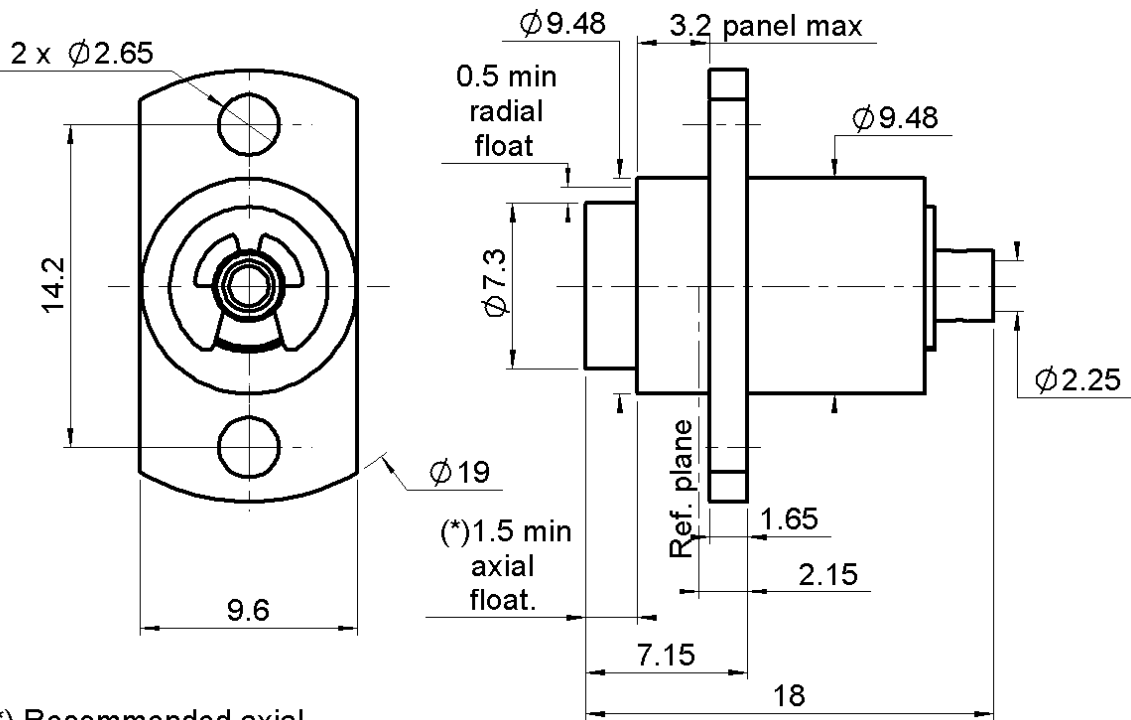


STRAIGHT JACK FLOATING FLANGE MOUNT

R128.292.700

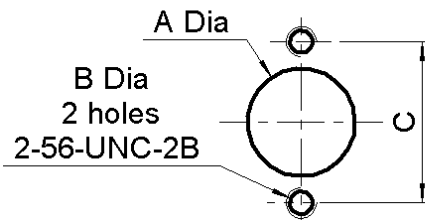
SOLDER CABLE .085

Series : **BMA**

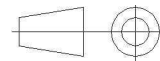
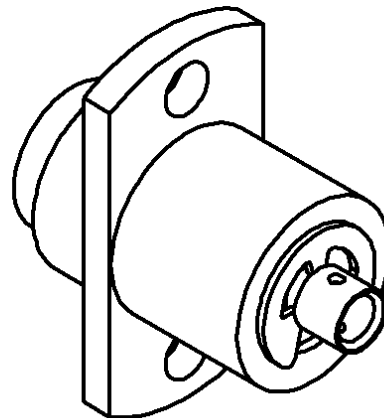
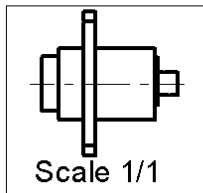


(*) Recommended axial float mount for best electrical performance: 0.51 +/- 0.25 mm (.020" +/- .010)

PANEL DRILLING



| | maxi | mini |
|---|------|------|
| A | 9.6 | 9.55 |
| C | 14.3 | 14.1 |



All dimensions are in mm.

| COMPONENTS | MATERIALS | PLATING (μm) |
|----------------|------------------|---------------------------|
| BODY | STAINLESS STEEL | GOLD 0.5 OVER NICKEL 2 |
| CENTER CONTACT | BERYLLIUM COPPER | GOLD 1.3 OVER NICKEL2 |
| OUTER CONTACT | BERYLLIUM COPPER | NPGR |
| INSULATOR | PTFE | |
| GASKET | - | |
| OTHERS PARTS | BRASS | NICKEL 2 |
| - | - | - |
| - | - | - |

Issue : 1110 C

In the effort to improve our products, we reserve the right to make changes judged to be necessary.



STRAIGHT JACK FLOATING FLANGE MOUNT

R128.292.700

SOLDER CABLE .085

Series : **BMA**

PACKAGING

| Standard | Unit | Other |
|------------|-------------------|-------------------|
| 100 | 'W' option | Contact us |

SPECIFICATION

ELECTRICAL CHARACTERISTICS

| | | |
|---------------------------------|---------------|-----------------------------|
| Impedance | | 50 Ω |
| Frequency | | 0-22 GHz |
| VSWR | 1.05 + | 0,0100 x F(GHz) Maxi |
| Insertion loss | | 0.03 √F(GHz) dB Maxi |
| RF leakage | - (| 90 - F(GHz)) dB Maxi |
| Voltage rating | | 350 Veff Maxi |
| Dielectric withstanding voltage | | 1000 Veff mini |
| Insulation resistance | | 5000 MΩ mini |

CABLE ASSEMBLY

| Stripping | a | b | c | d | e | f |
|-----------|------|------|------|------|------|------|
| mm | 1,78 | 0,00 | 0,00 | 0,00 | 0,00 | 0,00 |

Assembly instruction :

Recommended cable(s)
 BELN 1671A
 RG 405
 KS 1

Characteristics indicated on this data sheet are those that can be achieved with the highest performance cable. Intrinsic limitations of the cable may diminish the performance of the assembly

Cable retention

- pull off **136** N mini
 - torque **NA** N.cm

MECHANICAL CHARACTERISTICS

| | | |
|----------------------------|-----------|-----------|
| Center contact retention | | |
| Axial force – Mating end | 27 | N mini |
| Axial force – Opposite end | 27 | N mini |
| Torque | NA | N.cm mini |

TOOLING

| Part Number | Description | Hexagon |
|--------------|-----------------------|---------|
| . | . | . |
| R282.051.000 | STRIPPING TOOL | |
| R282.062.000 | POINTER GAUGE | |
| R282.740.000 | SOLDERING MOUNTING | |
| R282.860.130 | SOLDER POSITIONER BMA | |

| | | |
|--------------------|---------------|------|
| Recommended torque | | |
| Mating | NA | N.cm |
| Panel nut | NA | N.cm |
| Clamp nut | NA | N.cm |
| A/F clamp nut | 0,0000 | mm |

| | | |
|-------------|---------------|-------------|
| Mating life | 1000 | Cycles mini |
| Weight | 4,5770 | g |

OTHER CHARACTERISTICS

*Mated with waterproof male connector

It is recommended to use a service loop to facilitate the float features of the connector

ENVIRONMENTAL

| | | |
|-----------------------|-----------------|-----------|
| Operating temperature | -65/+165 | ° C |
| Hermetic seal | NA | Atm.cm3/s |
| Panel leakage | *IP54 | |

Issue : **1110 C**

In the effort to improve our products, we reserve the right to make changes judged to be necessary.



STRAIGHT JACK FLOATING FLANGE MOUNT

R128.292.700

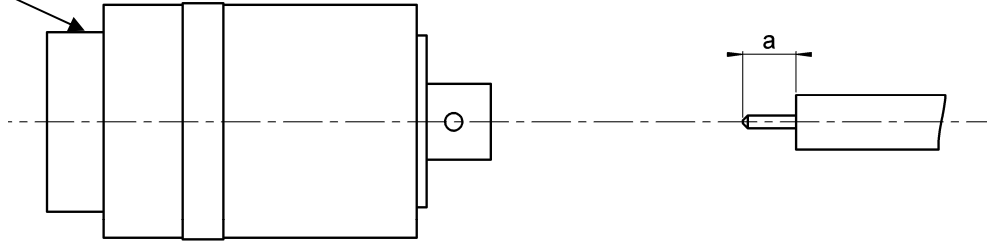
SOLDER CABLE .085

Series : BMA

COMPONENT

STRIPPING DIMENSION

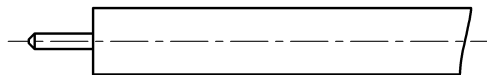
BODY



We recommend a cable thermal preconditioning before assembly

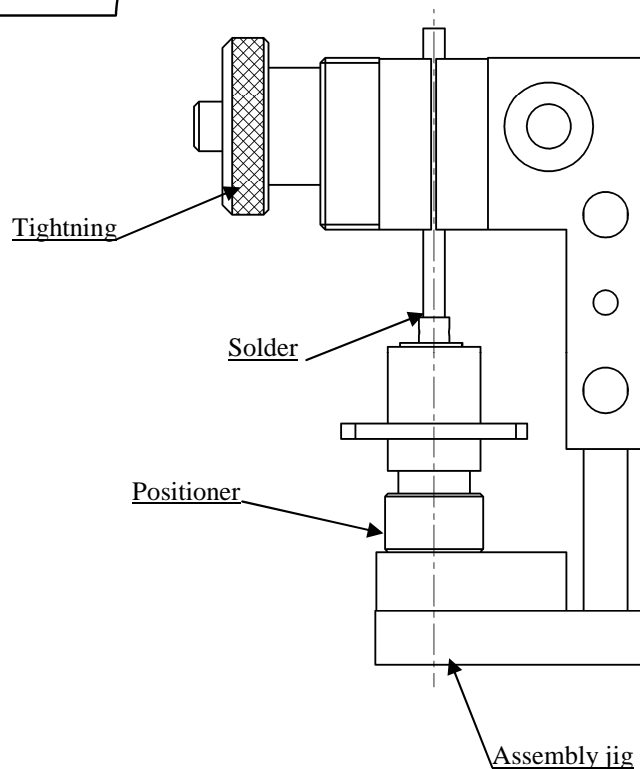
1

- Strip the cable with the cable stripping tool.
- Trim the cable inner conductor with the trimmer.
- Clean the cable



2

- Introduce the cable into the body until contact with the body shoulder..
- Place the sub-assembly on assembly jig with the positioner and tighten it.
- Solder body on the cable.
- Let assembly cool down before removing it from the jig.



Issue : 1110 C

In the effort to improve our products, we reserve the right to make changes judged to be necessary.



RADIALL®

X-ON Electronics

Largest Supplier of Electrical and Electronic Components

Click to view similar products for [RF Connectors / Coaxial Connectors](#) category:

Click to view products by [Radiall](#) manufacturer:

Other Similar products are found below :

[8915-1511-000](#) [89674-0827](#) [6001-7071-019](#) [6002-7051-003](#) [6002-7551-202](#) [6059674-1](#) [619550-1](#) [630059-000](#) [M39030/3-01N](#) [6500-7071-046](#) [6769](#) [CX050L2AQ](#) [7002-1541-010](#) [7002-1542-011](#) [7004-1512-000](#) [7009-1511-004](#) [7010-1511-000](#) [7029-1511-060](#) [7101-1541-010](#) [7101-1571-002](#) [7145-1521-002](#) [7203-1571-003](#) [7209-1511-011](#) [7210-1511-015](#) [7210-1511-019](#) [73137-5015](#) [73216-2241](#) [73404-2300](#) [7405-1521-005](#) [7405-1521-802](#) [8527](#) [8547](#) [FS11V](#) [877931](#) [8808-1511-001](#) [9049-9513-000](#) [9074-9513-000](#) [9101-9573-002](#) [910A205F](#) [9130-9573-002](#) [PL11SC-026](#) [PL375-33](#) [PL40-5](#) [PL74C-221](#) [PL75MC-217](#) [PL803-7](#) [980-8666-005](#) [1200690078](#) [1-201144-1](#) [R107003010W](#)