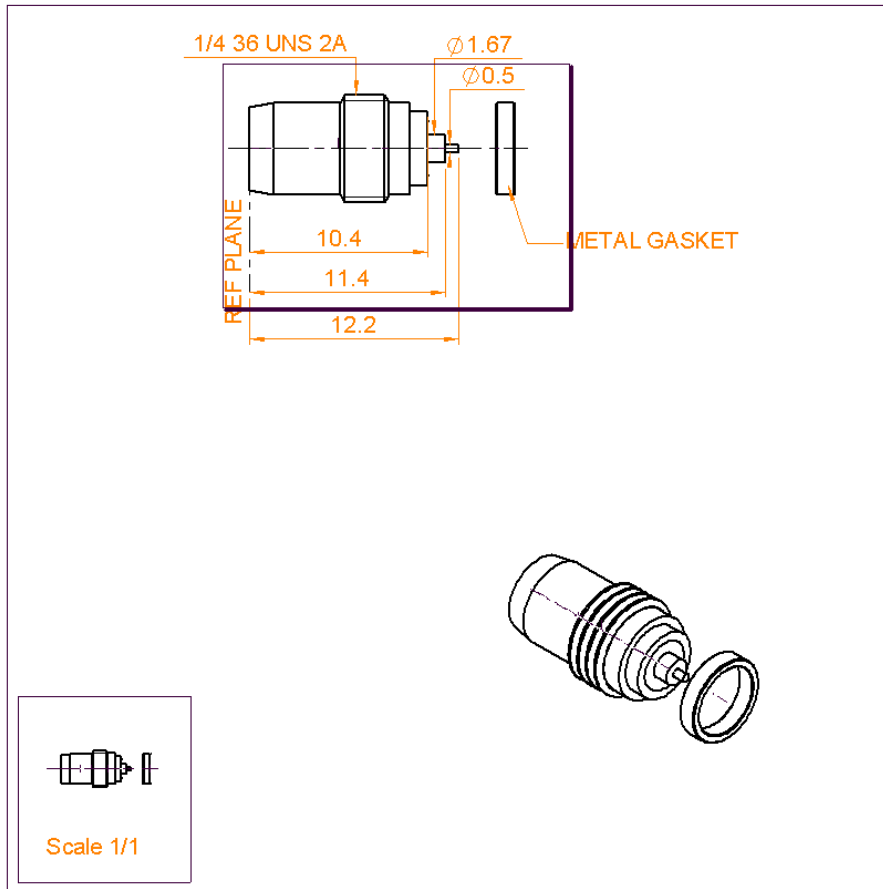


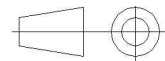
**SCREW MALE RECEPTACLE**  
**HERMETIC - WITH CYLINDRICAL CONTACT**

**R128.639.001**

Series : BMA



All dimensions are in mm.



| COMPONENTS     | MATERIALS        | PLATINGS (µm)          |
|----------------|------------------|------------------------|
| BODY           | STAINLESS STEEL  | PASSIVATED .           |
| CENTER CONTACT | BERYLLIUM COPPER | GOLD 1.3 OVER NICKEL 2 |
| OUTER CONTACT  | -                | -                      |
| INSULATOR      | PTFE             | -                      |
| GASKET         | ALUMINIUM ALLOY  | -                      |
| OTHERS PARTS   | -                | -                      |
| -              | -                | -                      |
| -              | -                | -                      |

Issue : 0449 C

In the effort to improve our products, we reserve the right to make changes judged to be necessary.



**SCREW MALE RECEPTACLE**

**R128.639.001**

**HERMETIC - WITH CYLINDRICAL CONTACT**

Series : **BMA**

**PACKAGING**

**SPECIFICATION**

| Standard | Unit | Other             |
|----------|------|-------------------|
| <b>1</b> | -    | <b>Contact us</b> |

**ELECTRICAL CHARACTERISTICS**

**ENVIRONMENTAL**

Impedance **50** Ω  
 Frequency **0-22** GHz  
 VSWR **1.25** + **0.000** x F(GHz) Maxi  
 Insertion loss **0.07** \* √F(GHz) dB Maxi  
 RF leakage - ( **NA** - F(GHz)) dB mini  
 Voltage rating **500** Veff Maxi  
 Dielectric withstanding voltage **1500** Veff mini  
 Insulation resistance **5000** MΩ mini

Operating temperature **-65/+125** ° C  
 Hermetic seal **10-8** Atm.cm<sup>3</sup>/s  
 Panel leakage **NA**

**OTHERS CHARACTERISTICS**

Assembly instruction **NA**

Others :  
 \* de 0 -10 Ghz

**MECHANICAL CHARACTERISTICS**

Center contact retention  
 Axial force – Mating end **27** N mini  
 Axial force – Opposite end **27** N mini  
 Torque **NA** N.cm mini

Recommended torque  
 Mating **NA** N.cm  
 Panel nut **280** N.cm

Mating life **1000** Cycles mini  
 Weight **1.230** g

Issue : 0449 C

In the effort to improve our products, we reserve the right to make changes judged to be necessary.

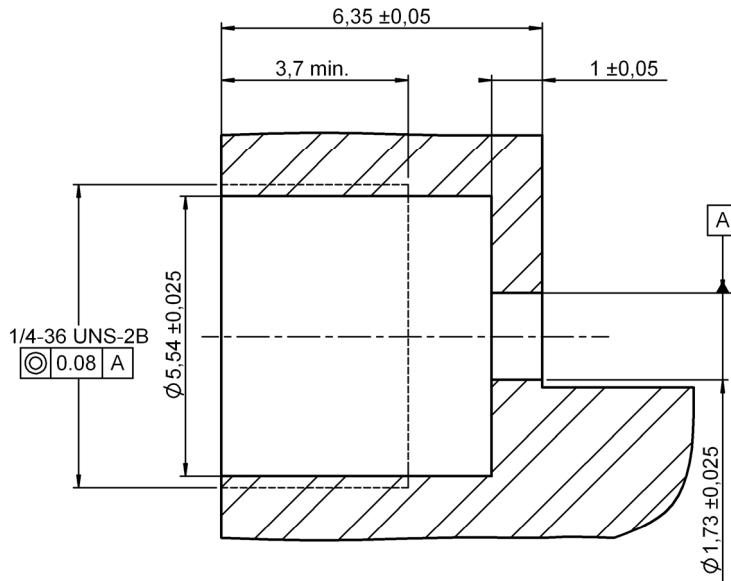


**SCREW MALE RECEPTACLE**  
**HERMETIC - WITH CYLINDRICAL CONTACT**

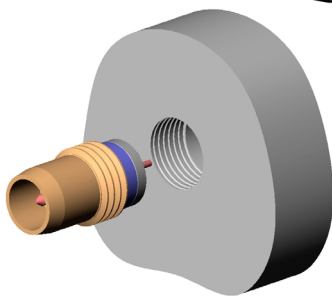
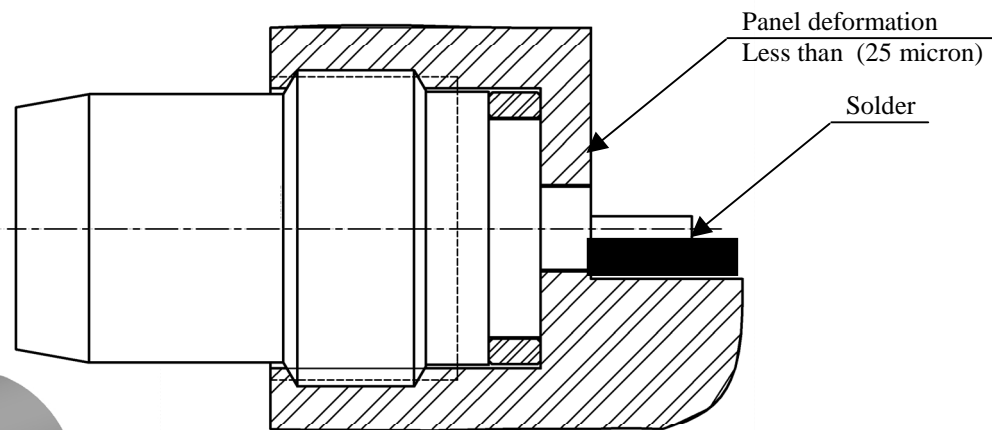
**R128.639.001**

Series : BMA

PANEL DRILLING



MOUNTING HOLE DETAIL



Assemble metal gasket onto connector. Screw both parts into the housing. Tighten the connector up to 280 Ncm torque (use special tooling set RADIALL R282 340 ). Thus the connection hermeticity is guaranteed at  $1 \cdot 10^{-8} \text{atm.cm}^3/\text{sec}$ . Then solder the pin. Be careful not put too much solder.

Issue : 0449 C

In the effort to improve our products, we reserve the right to make changes judged to be necessary.



## X-ON Electronics

Largest Supplier of Electrical and Electronic Components

*Click to view similar products for [RF Connectors / Coaxial Connectors](#) category:*

*Click to view products by [Radiall](#) manufacturer:*

Other Similar products are found below :

[8915-1511-000](#) [89674-0827](#) [6001-7071-019](#) [6002-7051-003](#) [6002-7551-202](#) [6059674-1](#) [619550-1](#) [630059-000](#) [M39030/3-01N](#) [6500-7071-046](#) [6769](#) [CX050L2AQ](#) [7002-1541-010](#) [7002-1542-011](#) [7004-1512-000](#) [7009-1511-004](#) [7010-1511-000](#) [7029-1511-060](#) [7101-1541-010](#) [7101-1571-002](#) [7145-1521-002](#) [7203-1571-003](#) [7209-1511-011](#) [7210-1511-015](#) [7210-1511-019](#) [73137-5015](#) [73216-2241](#) [73404-2300](#) [7405-1521-005](#) [7405-1521-802](#) [8527](#) [8547](#) [FS11V](#) [877931](#) [8808-1511-001](#) [9049-9513-000](#) [9074-9513-000](#) [9101-9573-002](#) [910A205F](#) [9130-9573-002](#) [PL11SC-026](#) [PL375-33](#) [PL40-5](#) [PL74C-221](#) [PL75MC-217](#) [PL803-7](#) [980-8666-005](#) [1200690078](#) [1-201144-1](#) [R107003010W](#)