

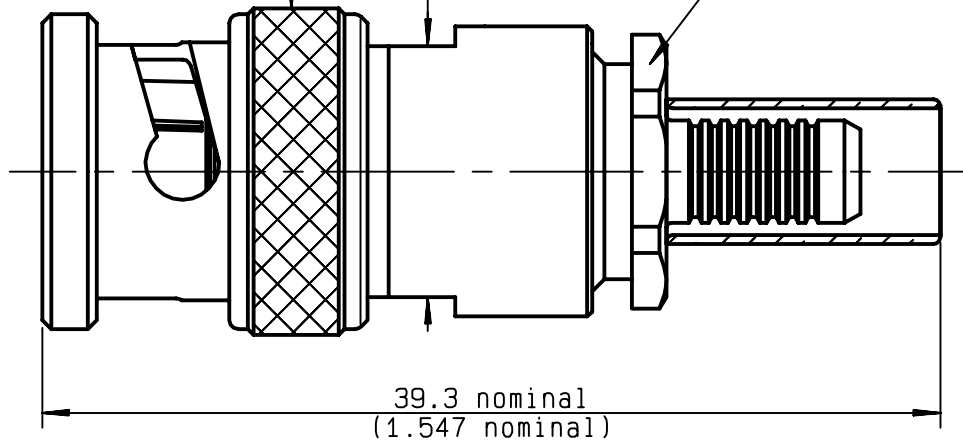
**STRAIGHT PLUG CRIMP TYPE
CABLE 5/50 S**

R141.072.000
SERIES BNC

∅14.3 / Moletage croise
(Dia 0.563 / Diagonal knurl)

11 / 2 Plats
(0.433 / 2 Flats)

Hex 11 / Plats
Hex .433 / Flats



NOMINAL IMPEDANCE	50 Ω	CABLES : KX 15 RG 141 RG 58	
FREQUENCY RANGE	0-4 GHz		
TEMPERATURE RATING	-65/+165 °C		
V.S.W.R	1.3 + 0 x F(GHz)Maxi		
RF INSERTION LOSS	0.115 √F(GHz) dB Maxi		
VOLTAGE RATING	500 Veff Maxi		
DIELECTRIC WITHSTANDING VOLTAGE	1500 Veff Mini		
INSULATION RESISTANCE	5000 MΩMini		OTHERS CHARACTERISTICS
HERMETIC SEAL	NA Atm.cm ³ /s		CABLE RETENTION 90 N Mini
LEAKAGE (pressurized only)	NA		CENTER CONTACT RETENTION
MECHANICAL DURABILITY	500 Cycles	Axial force - mating end 27 N Mini	
WEIGHT	18 gr	Axial force - opposite end 27 N Mini	
SPECIFICATION		Torque NA cm.N Mini	
		RECOMMENDED TORQUES	
		Mating NA cm.N	
		Panel nut NA cm.N	
		Clamp nut 450 cm.N	

CONNECTOR PARTS	MATERIALS	FINISH	(all values are given in micrometers)
BODY	BRASS	NICKEL 2	
OUTER CONTACT			
CENTER CONTACT	BRASS	GOLD 0.5 OVER NICKEL 2	
INSULATOR	PTFE	-	
GASKET	SILICONE RUBBER	-	
OTHERS PIECES	BRASS	NICKEL 2	

ISSUE	CREATION DATE	FILE PART-NUMBER
9849D04	16/09/1986	



PERRIN

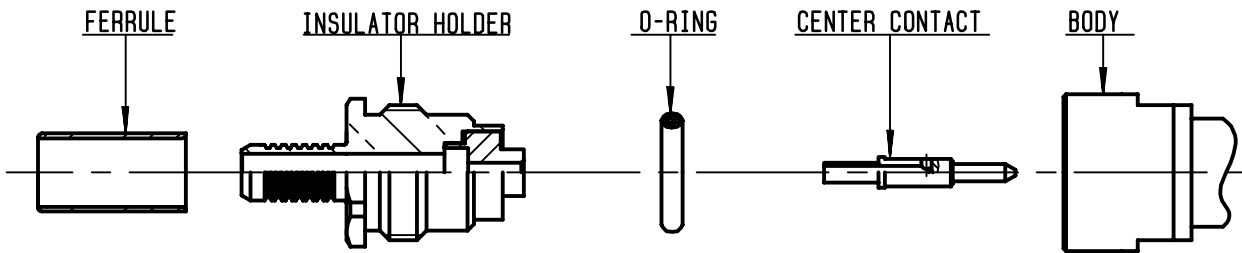
The information given here is subject to change without notice. Design changes may be in order to improve the product .

Connect to the future



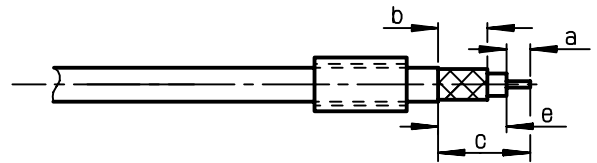
R141.072.000

ISSUE **9849D04** SERIES **BNC**



①

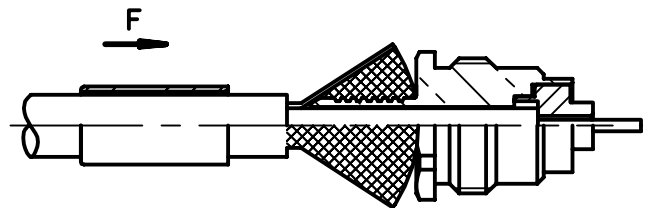
Slide ferrule onto cable
Strip the cable .



Stripping	a	b	c	d	e
inch	0.276	0.335	1.024	0	0.748
mm	7	8.5	26		19

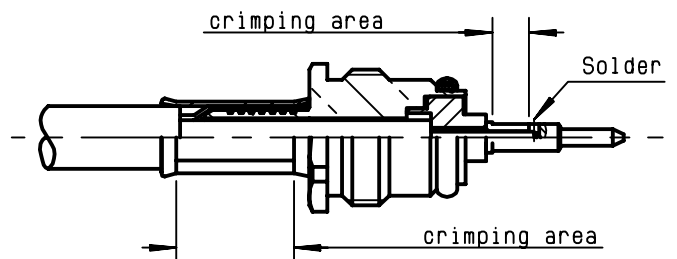
②

Fan the braid.
Slide the insulator holder under the braid.
Slide the ferrule onto the cable braid in F direction.



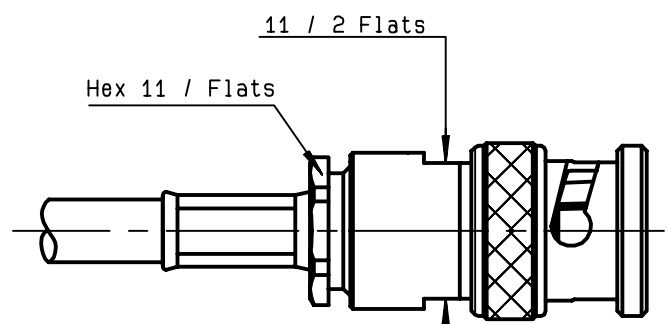
③

Crimp the ferrule with the crimping tool R282.223.000 (Hex:5.41) or R282.293.000 (M 22520/5-01) + dies R282.235.011 (M 22520/5-11)
Crimp or solder the center contact.
Put the O-ring onto the insulator holder.



④

Screw this assembly into the connector body
Recommended coupling torque (450 N.cm)



X-ON Electronics

Largest Supplier of Electrical and Electronic Components

Click to view similar products for [RF Connectors / Coaxial Connectors](#) category:

Click to view products by [Radiall](#) manufacturer:

Other Similar products are found below :

[8915-1511-000](#) [89674-0827](#) [6001-7071-019](#) [6002-7051-003](#) [6002-7551-202](#) [6059674-1](#) [619550-1](#) [630059-000](#) [M39030/3-01N](#) [6500-7071-046](#) [6769](#) [CX050L2AQ](#) [7002-1541-010](#) [7002-1542-011](#) [7004-1512-000](#) [7009-1511-004](#) [7010-1511-000](#) [7029-1511-060](#) [7101-1541-010](#) [7101-1571-002](#) [7145-1521-002](#) [7203-1571-003](#) [7209-1511-011](#) [7210-1511-015](#) [7210-1511-019](#) [73137-5015](#) [73216-2241](#) [73404-2300](#) [7405-1521-005](#) [7405-1521-802](#) [8527](#) [8547](#) [FS11V](#) [877931](#) [8808-1511-001](#) [9049-9513-000](#) [9074-9513-000](#) [9101-9573-002](#) [910A205F](#) [9130-9573-002](#) [PL11SC-026](#) [PL375-33](#) [PL40-5](#) [PL74C-221](#) [PL75MC-217](#) [PL803-7](#) [980-8666-005](#) [1200690078](#) [1-201144-1](#) [R107003010W](#)