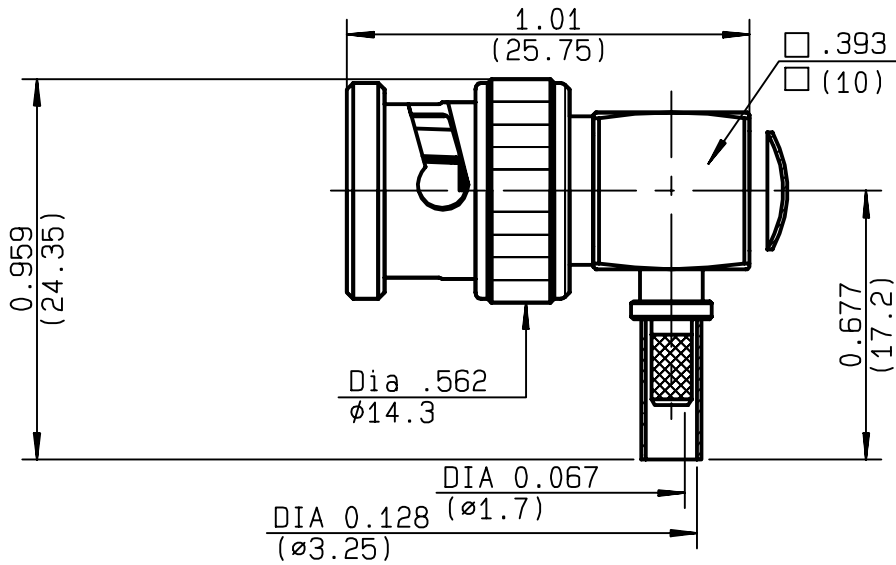


**RIGHT ANGLE PLUG CRIMP TYPE  
CABLE 2.6/50 S - PACK 100**

**R141.181.161**  
**SERIES BNC-COM**



NOMINAL IMPEDANCE	<b>50</b> Ω	CABLES : <b>KX 22A</b> <b>RG 188</b> <b>RG 316</b>
FREQUENCY RANGE	<b>0-1.5</b> GHz	
TEMPERATURE RATING	<b>-35/+70</b> °C	
V.S.W.R	<b>1.35</b> + x F(GHz)Maxi	
RF INSERTION LOSS	<b>0.175</b> √F(GHz) dB Maxi	
VOLTAGE RATING	<b>500</b> Veff Maxi	
DIELECTRIC WITHSTANDING VOLTAGE	<b>1500</b> Veff Mini	
INSULATION RESISTANCE	<b>5000</b> MΩMini	
HERMETIC SEAL	<b>NA</b> Atm.cm <sup>3</sup> /s	
LEAKAGE (pressurized only)	<b>NA</b>	
MECHANICAL DURABILITY	<b>100</b> Cycles	OTHERS CHARACTERISTICS
WEIGHT	<b>13.5</b> gr	CABLE RETENTION <b>40</b> N Mini
SPECIFICATION		CENTER CONTACT RETENTION
		Axial force - mating end <b>15</b> N Mini
		Axial force - opposite end <b>15</b> N Mini
		Torque <b>NA</b> cm.N Mini
		RECOMMENDED TORQUES
		Mating <b>NA</b> cm.N
		Panel nut <b>NA</b> cm.N
		Clamp nut <b>NA</b> cm.N

CONNECTOR PARTS	MATERIALS	FINISH	(all values are given ) in micrometers
BODY	BRASS	NICKEL 2	
OUTER CONTACT			
CENTER CONTACT	BRASS	GOLD 0.2 OVER NICKEL 2	
INSULATOR	WHITE POLYPROPYLENE	-	
GASKET	SILICONE RUBBER	-	
OTHERS PIECES			

ISSUE <b>9910B01</b>	CREATION DATE <b>31/05/1990</b>	FILE PART-NUMBER <b>90-1200-030</b>
-------------------------	------------------------------------	--



**RADIALL®**

LELEU

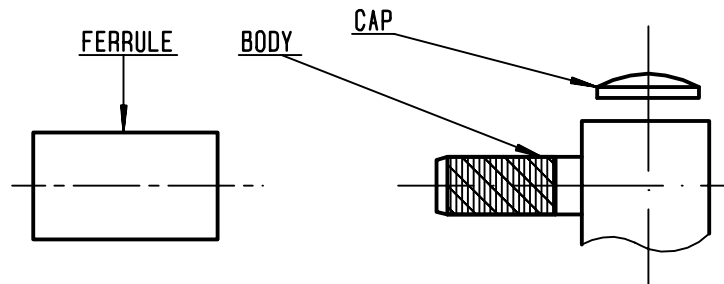
The information given here is subject to change without notice.  
Design changes may be in order to improve the product .

*Connect to the future*



**R141.181.161**

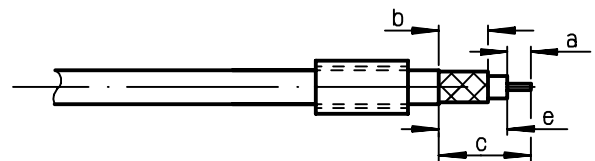
ISSUE **9910B01** SERIES **BNC-COM**



①

Slide onto the cable the ferrule .  
Strip the cable .

-  
-

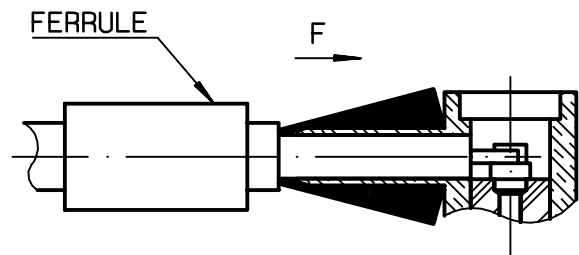


Stripping	a	b	c	d	e
inch	0.098	0.256	0.63	0	0.531
mm	2.5	6.5	16		13.5

②

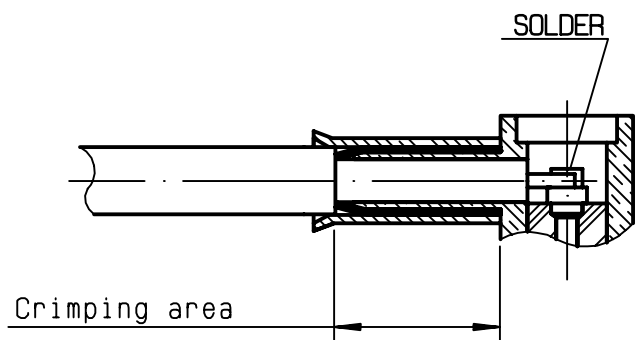
Fan the braid .  
Push connector body under the braid .  
Slide the ferrule on the braid  
( in direction F )

-  
-



③

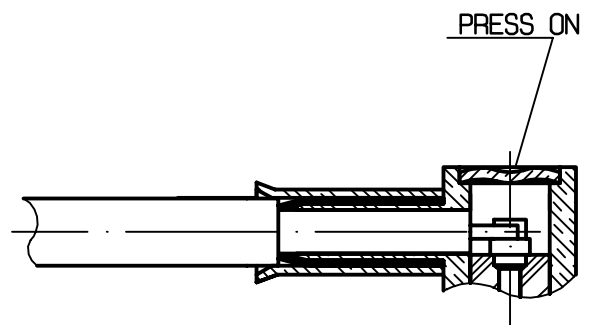
Crimp the ferrule with crimping tool  
R282 211 000 ( Hex. : .128 ) or  
crimping tool R 282 293 000 ( M22520/5-01 )  
+ dies R 282 235 003 ( M22520/5-03 )  
Solder inner conductor .



④

Place the cap .  
Press cap flush or slightly below surface  
of body assembly .

-  
-  
-  
-  
-



## X-ON Electronics

Largest Supplier of Electrical and Electronic Components

*Click to view similar products for [RF Connectors / Coaxial Connectors](#) category:*

*Click to view products by [Radiall](#) manufacturer:*

Other Similar products are found below :

[8915-1511-000](#) [89674-0827](#) [6001-7071-019](#) [6002-7051-003](#) [6002-7551-202](#) [6059674-1](#) [619550-1](#) [630059-000](#) [M39030/3-01N](#) [6500-7071-046](#) [6769](#) [CX050L2AQ](#) [7002-1541-010](#) [7002-1542-011](#) [7004-1512-000](#) [7009-1511-004](#) [7010-1511-000](#) [7029-1511-060](#) [7101-1541-010](#) [7101-1571-002](#) [7105-1521-002](#) [7145-1521-002](#) [7203-1571-003](#) [7209-1511-011](#) [7210-1511-015](#) [7210-1511-019](#) [73137-5015](#) [73216-2241](#) [73404-2300](#) [7405-1521-005](#) [7405-1521-802](#) [8527](#) [8547](#) [FS11V](#) [877931](#) [8808-1511-001](#) [9074-9513-000](#) [9101-9573-002](#) [910A205F](#) [9130-9573-002](#) [PL11SC-026](#) [PL375-33](#) [PL40-5](#) [PL74C-221](#) [PL75MC-217](#) [PL803-7](#) [1200690078](#) [1-201144-1](#) [R107003010W](#) [R110A172100](#)