



TECHNICAL DATA

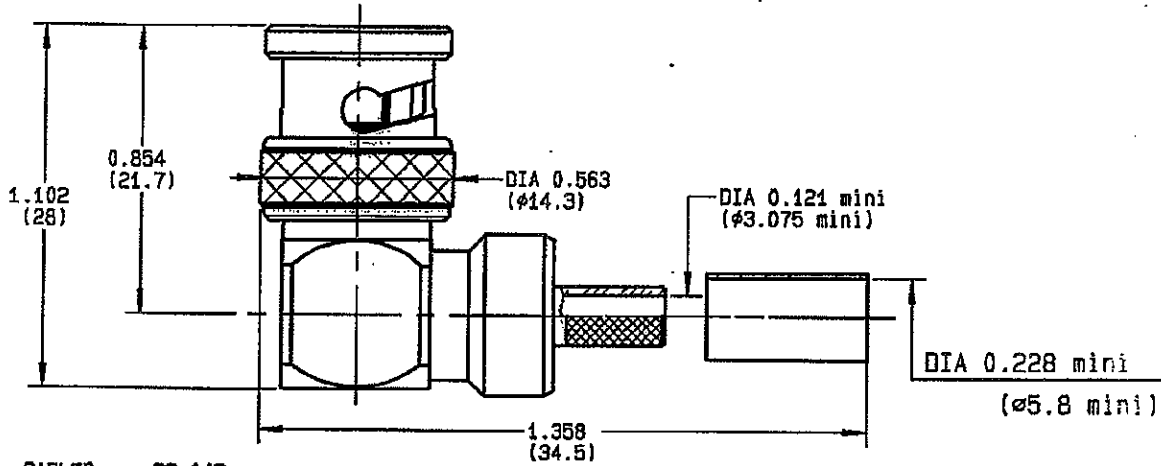
R141.183.000

Issue : 0629 D Page

RIGHT ANGLE CABLE PLUG-CRIMP TYPE
CABLE 5/50 DOUBLE-BRAIDED

Series : BNC

1 / 2



CABLES : RG 142

CHARACTERISTICS

NOMINAL IMPEDANCE	50 Ω
FREQUENCY RANGE	0-4 GHz
TEMPERATURE RATING	-65/+165 °C
VSWR	1.35 + 0 x F(GHz)Maxi
RF INSERTION LOSS	0.175 \sqrt{F} (GHz) dB Maxi
VOLTAGE RATING	500 Vrms Max
DIELECTRIC WITHSTANDING VOLTAGE	1500 Vrms min
INSULATION RESISTANCE	5000 M Ω min
HERMETIC SEAL	- NA
LEAKAGE (pressurized only)	- NA
WEIGHT	0.8571 Oz 24 g

STANDARDISATION

CECC 22120/BNC
CEI 169-8/BNC
MIL STD348-301/BNC
NF C93-564/KBN

CABLE RETENTION	49.39 230	lb min N
CENTER CONTACT RETENTION		
Axial force - mating end	6.06 27	lb min N
Axial force - opposite end	6.06 27	lb min N
Torque (Min)	NA	inch.oz cm.N
RECOMMENDED TORQUES		
Mating	0	inch.lb cm.N
Panel nut	0	inch.lb cm.N
Clamp nut	0	inch.lb cm.N

CONSTRUCTION

CONNECTOR PARTS	MATERIALS	FINISH
BODY	BRASS	NICKEL
OUTER CONTACT	BRASS	NICKEL
CENTER CONTACT	BRASS	GOLD
INSULATOR	PTFE	-
CENTER CONTACT	BERYLLIUM COPPER	GOLD
-	-	-
-	-	-
-	-	-
-	-	-

ISSUE	REVISION No	DESCRIPTION	BY	DATE
9509	94.06.005	Added harpoon on centre contact	BERTHET	19-01-95
9417	93.12.005	Changed ferrule + half-body	BERTHET	26-04-94

Initiated on 02/04/84

The information given here is subject to change without notice. Design changes may be in order to improve the product.



Approval by -

PERRIN

DEP84.R141.000

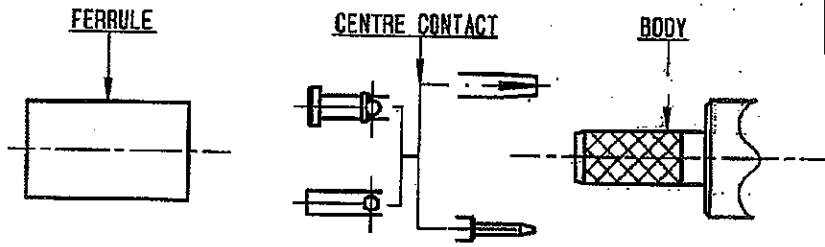


R141.183.000

Issue : 0629 D

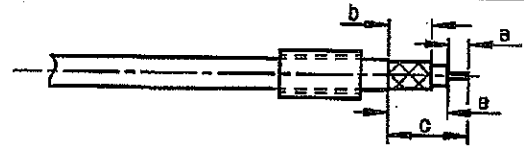
Page

2 / 2



①

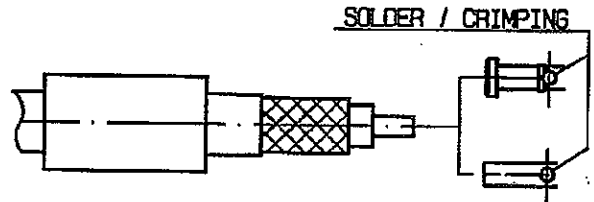
Slide onto the cable the ferrule
Strip the cable .



Stripping	a	b	c	d	e
inch	0.157	0.335	0.591	0	0.433
mm	4	8.5	15	-	11

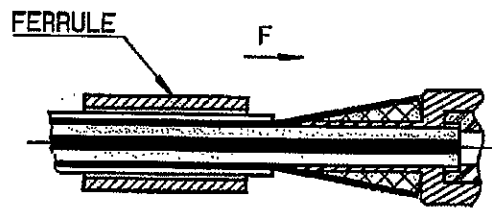
②

Slide on centre contact until it
bottoms against cable dielectrique .
Solder or crimp centre contact .
Crimping tool : R282 223 000 (Hex. : .068)
or R282 293 000 (M22520/5-01)
+ dies R282 235 011 (M22520/5-11) .



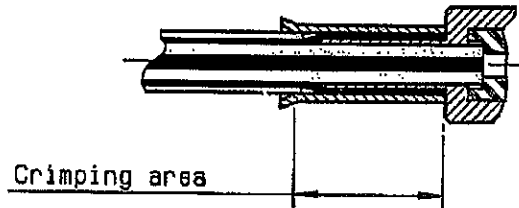
③

Fan the braid .
Slide cable into the body until
bottoms against insulator .
Slide ferrule over the braid .
(In direction F)



④

Crimp the ferrule with crimping tool
R 282 223 000 (Hex. : .213) or
crimping tool R282 293 000 (M22520/5-01)
+ dies R282 235 011 (M22520/5-11)
Cut the excess of braid .



X-ON Electronics

Largest Supplier of Electrical and Electronic Components

Click to view similar products for [RF Connectors / Coaxial Connectors](#) category:

Click to view products by [Radiall](#) manufacturer:

Other Similar products are found below :

[8915-1511-000](#) [89674-0827](#) [6001-7071-019](#) [6002-7051-003](#) [6002-7551-202](#) [6059674-1](#) [619550-1](#) [630059-000](#) [M39030/3-01N](#) [6500-7071-046](#) [6769](#) [CX050L2AQ](#) [7002-1541-010](#) [7002-1542-011](#) [7004-1512-000](#) [7009-1511-004](#) [7010-1511-000](#) [7029-1511-060](#) [7101-1541-010](#) [7101-1571-002](#) [7145-1521-002](#) [7203-1571-003](#) [7209-1511-011](#) [7210-1511-015](#) [7210-1511-019](#) [73137-5015](#) [73216-2241](#) [73404-2300](#) [7405-1521-005](#) [7405-1521-802](#) [8527](#) [8547](#) [FS11V](#) [877931](#) [8808-1511-001](#) [9074-9513-000](#) [9101-9573-002](#) [910A205F](#) [9130-9573-002](#) [PL11SC-026](#) [PL375-33](#) [PL40-5](#) [PL74C-221](#) [PL75MC-217](#) [PL803-7](#) [1200690078](#) [1-201144-1](#) [R107003010W](#) [R110A172100](#) [R112186000](#)