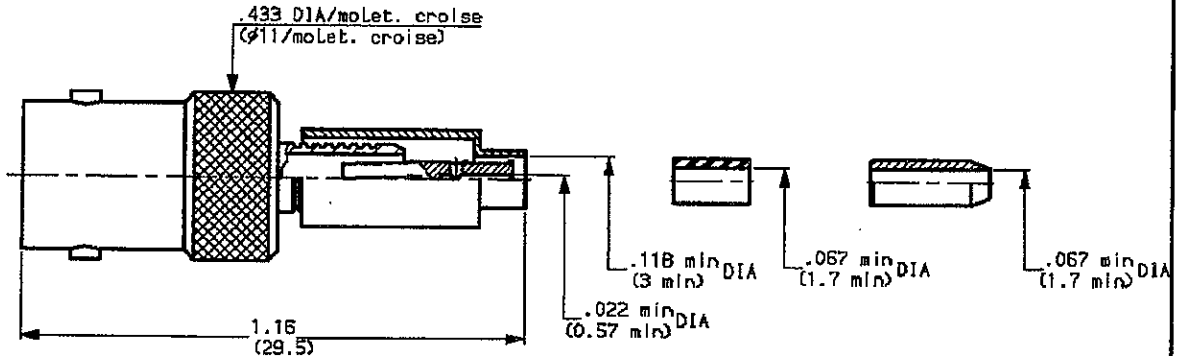


STRAIGHT CABLE JACK-CRIMP TYPE
CABLE 2.6/50

SERIES: BNC 1 / 2

PEN 91-0104-124



weight 0.35 oz (10 g)

CABLES :RG188

CHARACTERISTICS

NOMINAL IMPEDANCE	50 Ω
FREQUENCY RANGE	0-4 GHz
TEMPERATURE RATING	-65/+165 °C
VSWR	AD Max
RF INSERTION LOSS	0.11 /F dB Max!
VOLTAGE RATING	500 Vrms Max!
DIELECTRIC WITHSTANDING VOLTAGE	1500 Vrms mini
INSULATION RESISTANCE	5000 Mo mini
HERMETIC SEAL	NA cc/s Atm.cm3/s
LEAKAGE (pressurized only)	NA psi MPa

STANDARDISATION	NIL	STD348-301/BNC
	CECC	22120/BNC
	CEI	169-8/BNC

CABLE RETENTION 9 Lb mini
40 N

CENTER CONTACT RETENTION

Axial force - mating end	6.075 Lb mini
	27 N
Axial force - opposite end	6.075 Lb mini
	27 N
Torque (Min)	NA Inch.oz cm. N

RECOMMENDED TORQUES

Mating	NA	inch. Lb cm. N
Panel nut	NA	inch. Lb cm. N
Clamp nut	NA	inch. Lb cm. N

CONSTRUCTION

CONNECTOR PARTS	MATERIALS	FINISH
BODY	BRASS	NICKEL
OUTER CONTACT	BRASS	NICKEL
CENTER CONTACT	BERYLLIUM COPPER	GOLD
INSULATORS	PTFE + Polyamide	-
-	-	-
-	-	-
-	-	-
-	-	-

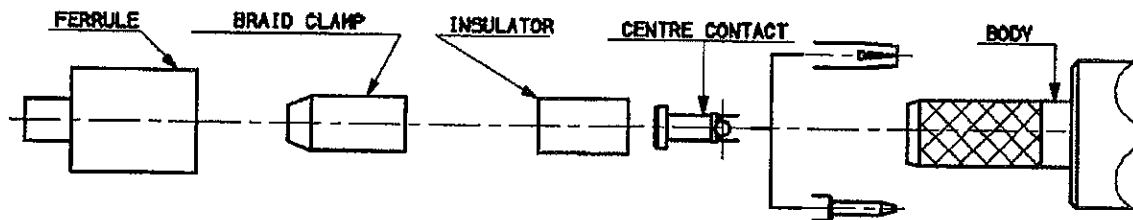
ISSUE	REVISION No	DESCRIPTION	BY	DATE
5737	95.06.015	braid clamp PTFE → Polyamide	Guarlu	17.09.97

Initiated on 31-JAN-91

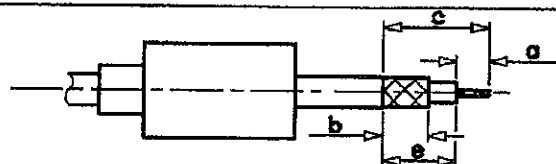
The information given here is subject to change without notice. Design changes may be in order to improve the product.



Superseded on

STRAIGHT CABLE JACK-CRIMP TYPE
TABLE 2.6/50

1

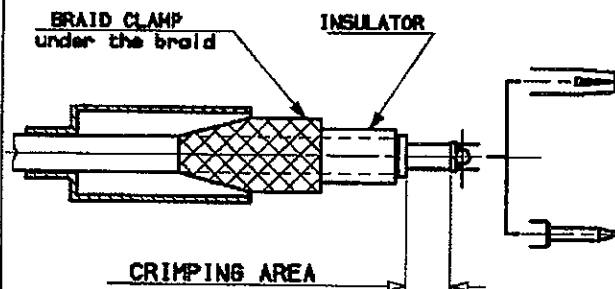
- 1-1 Slide onto the cable the ferrule
 1-2 Strip the cable .
 1-3 Fan the braid .



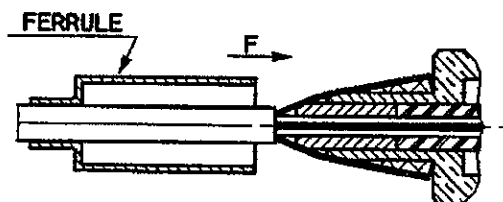
Stripping	a	b	c	d	e
Inch	.157	.394	.728	-	.571
MM	4	10	18.5	-	14.5

2

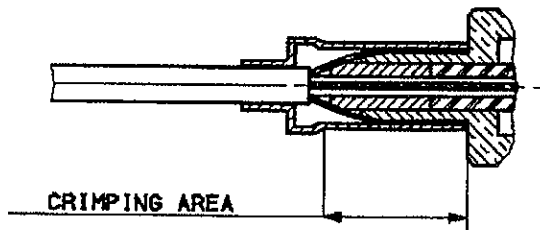
- 2-1 Slide the braid clamp and insulator between the dielectric and the braid .
 2-2 Slide on the centre contact until it bottoms against cable dielectric .
 2-3 Crimp centre contact , crimping tool R 282 223 000 (Hex. : .068) or crimping tool M22520/5-01 + dies M22520/5-11


3

- 3-1 Slide cable into the body until bottoms against insulator .
 3-2 Slide ferrule over the braid (in direction F)


4

- 4-1 Crimp the ferrule with crimping tool R 282 223 000 (Hex. : .213) or Crimping tool M22520/5-01 + dies M22520/5-11
 4-2 Cut the excess of braid .



ISSUE	REVISION No	DESCRIPTION	BY	DATE

Initiated on 31-JAN-91

The information given here is subject to change without notice. Design changes may be in order to improve the product.



Approved on _____

X-ON Electronics

Largest Supplier of Electrical and Electronic Components

Click to view similar products for [RF Connectors / Coaxial Connectors](#) category:

Click to view products by [Radiall](#) manufacturer:

Other Similar products are found below :

[8915-1511-000](#) [89674-0827](#) [6001-7071-019](#) [6002-7051-003](#) [6002-7551-202](#) [6059674-1](#) [619550-1](#) [630059-000](#) [M39030/3-01N](#) [6500-7071-046](#) [6769](#) [CX050L2AQ](#) [7002-1541-010](#) [7002-1542-011](#) [7004-1512-000](#) [7009-1511-004](#) [7010-1511-000](#) [7029-1511-060](#) [7101-1541-010](#) [7101-1571-002](#) [7145-1521-002](#) [7203-1571-003](#) [7209-1511-011](#) [7210-1511-015](#) [7210-1511-019](#) [73137-5015](#) [73216-2241](#) [73404-2300](#) [7405-1521-005](#) [7405-1521-802](#) [8527](#) [8547](#) [FS11V](#) [877931](#) [8808-1511-001](#) [9049-9513-000](#) [9074-9513-000](#) [9101-9573-002](#) [910A205F](#) [9130-9573-002](#) [PL11SC-026](#) [PL375-33](#) [PL40-5](#) [PL74C-221](#) [PL75MC-217](#) [PL803-7](#) [980-8666-005](#) [1200690078](#) [1-201144-1](#) [R107003010W](#)