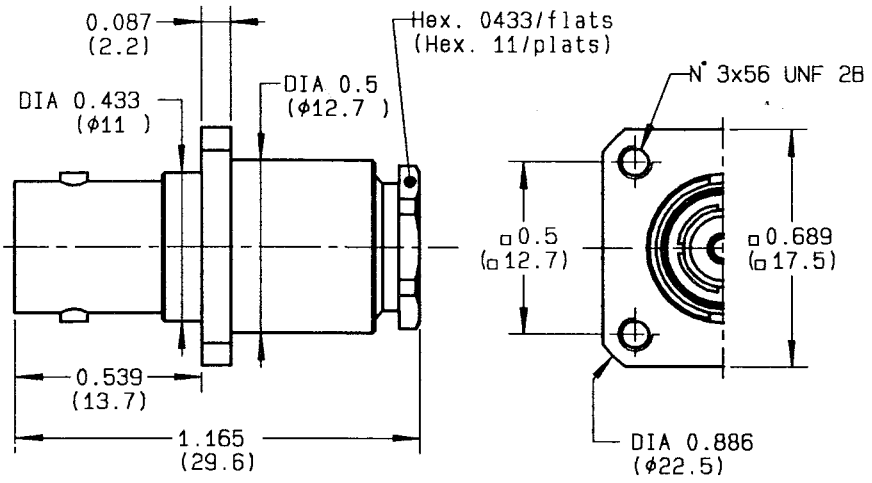


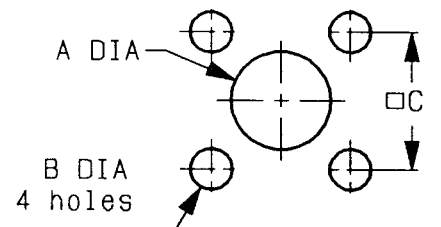
STRAIGHT FLANGE MOUNT CABLE JACK-CLAMP TYPE
CABLE 2.6/50+75

Series : BNC

1 / 2



PERCAGE PANNEAU
MOUNTING HOLE



	MM		INCH	
	maxi	mini	maxi	mini
A	11.3	11.2	0.445	0.44
Ab	13	12.9	0.512	0.51
B	2.7	2.6	0.106	0.102
C	12.75	12.65	0.502	0.498

CABLES : RG174 RG179

CHARACTERISTICS

NOMINAL IMPEDANCE	50	Ω
FREQUENCY RANGE	0-4	GHz
TEMPERATURE RATING	-65/+165	°c
VSWR	TBD + 0 x F(GHz)Maxi	
RF INSERTION LOSS	TBD √F(GHz) dB Maxi	
VOLTAGE RATING	500	Vrms Max
DIELECTRIC WITHSTANDING VOLTAGE	1500	Vrms min
INSULATION RESISTANCE	5000	MΩ min
HERMETIC SEAL	-	cc/s Atm.cm3/s
LEAKAGE (pressurized only)	-	psi MPa
WEIGHT	0	Oz g

STANDARDISATION	-
CABLE RETENTION	5.7 110 N
CENTER CONTACT RETENTION	
Axial force - mating end	6.11 27.2 N
Axial force - opposite end	5.11 27.2 N
Torque (Min)	0 NA In.h.oz cm.N
RECOMMENDED TORQUES	
Mating	C NA Inch.lb cm.N
Panel nut	0 NA Inoh.lb cm.N
Clamp nut	39.82 450 Inoh.io cm.N

CONSTRUCTION

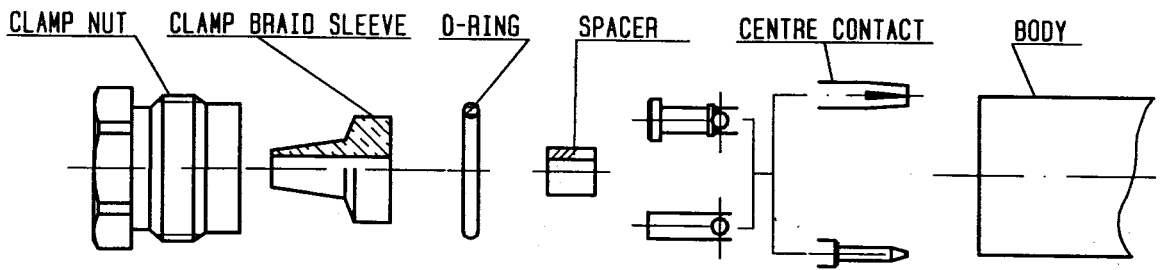
CONNECTOR PARTS	MATERIALS	FINISH
BODY	BRASS	NICKEL
OUTER CONTACT	BRASS	NICKEL
CENTER CONTACT	BERYLLIUM COPPER	GOLD
INSULATOR	PTFE	-
-	-	-
-	-	-
-	-	-
-	-	-
-	-	-

ISSUE	REVISION No	DESCRIPTION	BY	DATE
-	-	-	-	-
-	-	-	-	-
-	-	-	-	-
-	-	-	-	-

Initiated on 04/02/92
Approval by BAFFERT

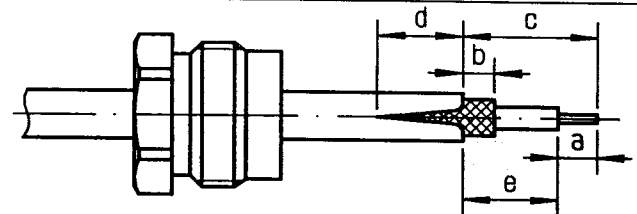
The information given here is subject to change without notice. Design changes may be made in order to improve the product.





①

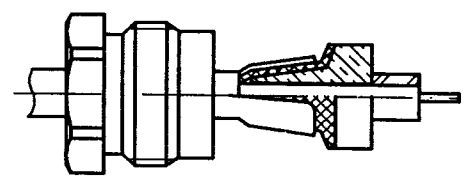
Slide clamp nut onto cable .
Strip the cable .
Cut the jacket (2 slots)
apart if necessary .



Stripping	a	b	c	d	e
inch	0.157	0.079	0.354	0.079	0.197
mm	4	2	9	2	5

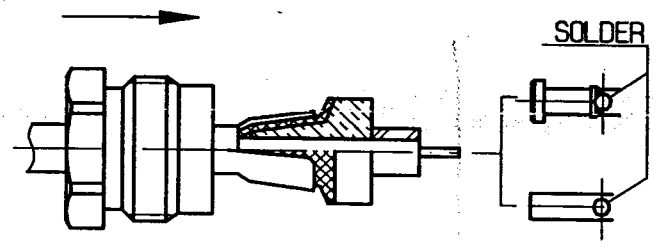
②

Slide the clamp braid sleeve between
cable dielectric and braid .
Cut the braid flush with the clamp
braid sleeve .
Slide the spacer .



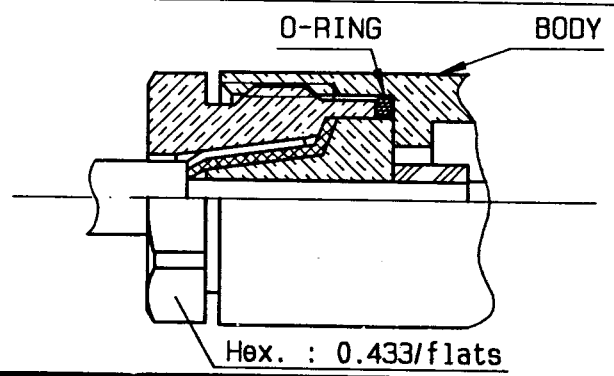
③

Solder the cable inner conductor into
centre contact .
Slide the back nut over the clamp
assembly .



④

Mount the gasket into the connector .
Screw sub-assembly into the connector
body .
(recommended coupling torque 39.82 in.lb)



4112 9211

X-ON Electronics

Largest Supplier of Electrical and Electronic Components

Click to view similar products for [RF Connectors / Coaxial Connectors](#) category:

Click to view products by [Radiall](#) manufacturer:

Other Similar products are found below :

[8915-1511-000](#) [89674-0827](#) [6001-7071-019](#) [6002-7051-003](#) [6002-7551-202](#) [6059674-1](#) [619550-1](#) [630059-000](#) [M39030/3-01N](#) [6500-7071-046](#) [6769](#) [CX050L2AQ](#) [7002-1541-010](#) [7002-1542-011](#) [7004-1512-000](#) [7009-1511-004](#) [7010-1511-000](#) [7029-1511-060](#) [7101-1541-010](#) [7101-1571-002](#) [7145-1521-002](#) [7203-1571-003](#) [7209-1511-011](#) [7210-1511-015](#) [7210-1511-019](#) [73137-5015](#) [73216-2241](#) [73404-2300](#) [7405-1521-005](#) [7405-1521-802](#) [8527](#) [8547](#) [FS11V](#) [877931](#) [8808-1511-001](#) [9074-9513-000](#) [9101-9573-002](#) [910A205F](#) [9130-9573-002](#) [PL11SC-026](#) [PL375-33](#) [PL40-5](#) [PL74C-221](#) [PL75MC-217](#) [PL803-7](#) [1200690078](#) [1-201144-1](#) [R107003010W](#) [R110A172100](#) [R112186000](#)