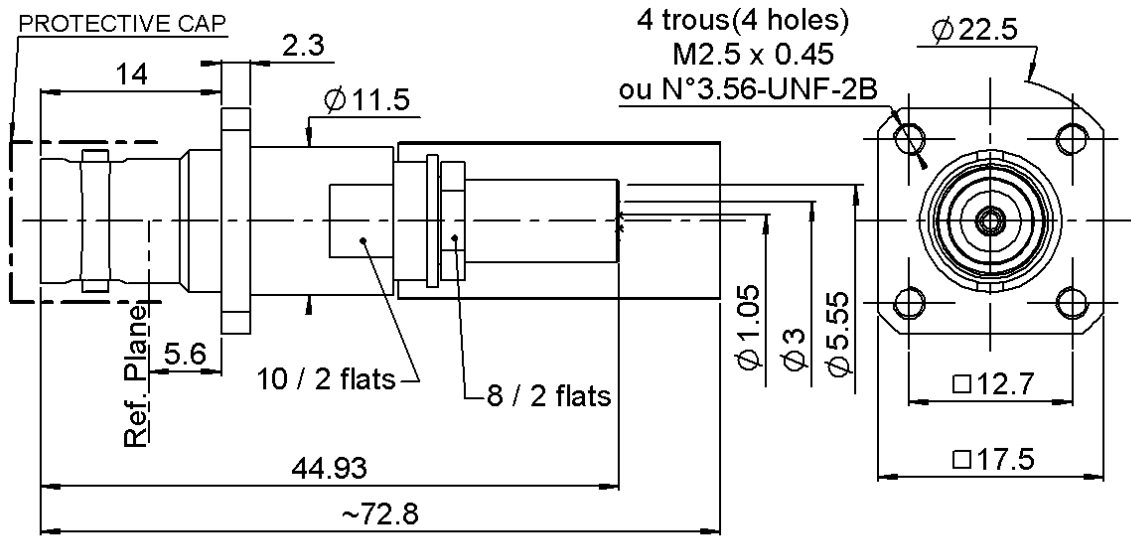
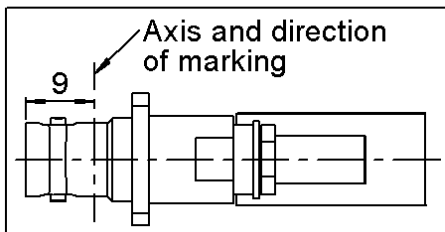
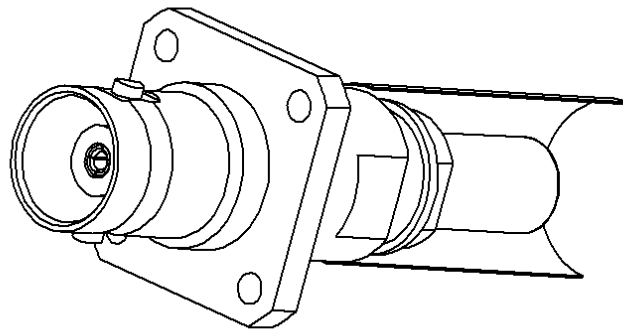
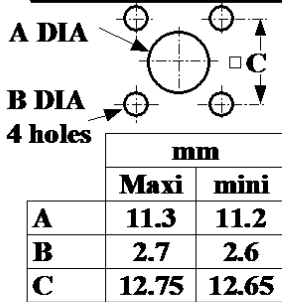


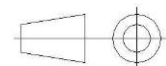
PAGE 1/3	ISSUE 29-11-16E	SERIES BNC	PART NUMBER R141297000
----------	-----------------	------------	------------------------



PANEL CUT OUT



All dimensions are in mm.



COMPONENTS	MATERIALS	PLATING (µm)
Body	BRASS	NICKEL
Center contact	BERYLLIUM COPPER	GOLD OVER NICKEL
Outer contact	-	-
Insulator	PTFE	-
Gasket	-	-
Others parts	-BRASS	NICKEL
-	-	-
-	-	-

PAGE 2/3	ISSUE 29-11-16E	SERIES BNC	PART NUMBER R141297000
-----------------	------------------------	-------------------	-------------------------------

PACKAGING

Standard	Unit	Other
100	Contact us	Contact us

ELECTRICAL CHARACTERISTICS

Impedance	50	Ω
Frequency	0-3	GHz
VSWR	1.2 + 0,0000	x F(GHz) Maxi
Insertion loss	0.1	\sqrt{F} (GHz) dB Maxi
RF leakage	- (*55)	- F(GHz)) dB Maxi
Voltage rating	500	Veff Maxi
Dielectric withstanding voltage	1500	Veff mini
Insulation resistance	5000	M Ω mini

MECHANICAL CHARACTERISTICS

Center contact retention		
Axial force – Mating End	27	N mini
Axial force – Opposite end	27	N mini
Torque	NA	N.cm mini
Recommended torque		
Mating	NA	N.cm
Panel nut	NA	N.cm
Clamp nut	170	N.cm
A/F clamp nut	8,0000	mm
Mating life	500	Cycles mini
Weight	20,5000	g

ENVIRONMENTAL

Operating temperature	-65/+165	$^{\circ}\text{C}$
Hermetic seal	NA	Atm.cm3/s
Panel leakage	NA	

SPECIFICATION

ASNE0460-TC01 M -

CABLE ASSEMBLY

Stripping	a	b	c	d	e	f
mm	9	9	23	0	0	0

Assembly instruction:

Recommended cable(s)

RG 223
KX 23
RG 142 FTX
RG 142 BU
RG 400

Characteristics indicated on this data sheet are those that can be achieved with the highest performance cable. Intrinsic limitations of the cable may diminish the performance of the assembly

Cable retention

- pull off	220	N mini
- torque	NA	N.cm

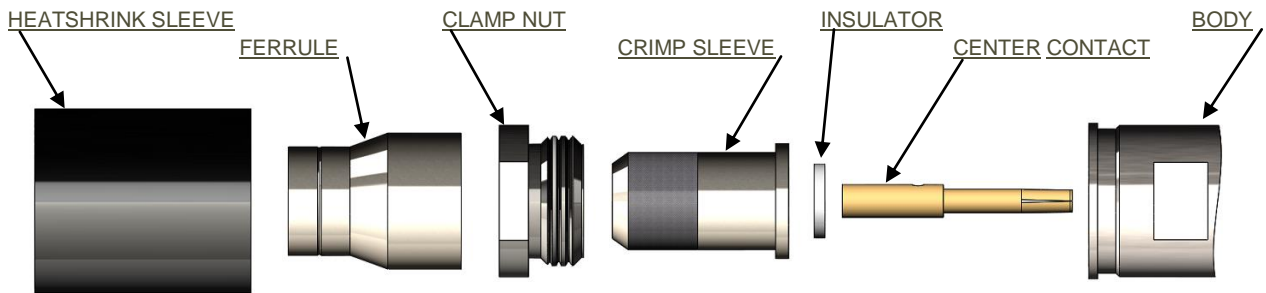
TOOLING

Part Number	Description	Hexagon
R282246000	CRIMPING DIES M22520/5-05	5.41
282291	CRIMPING TOOL M22520/1-01	2x4 (pos. 7)
282997	POSITIONER FOR TOOL 282.291(M22520/1-13)	rouge
R282293000	CRIMPING TOOL M22520/5-01	-

OTHER CHARACTERISTICS

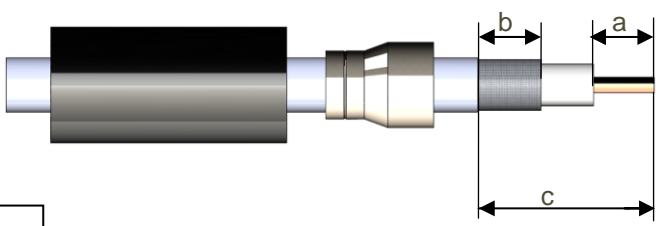
*** from 2 to 3 GHz**

PAGE 3/3	ISSUE 29-11-16E	SERIES BNC	PART NUMBER R141297000
----------	-----------------	------------	------------------------



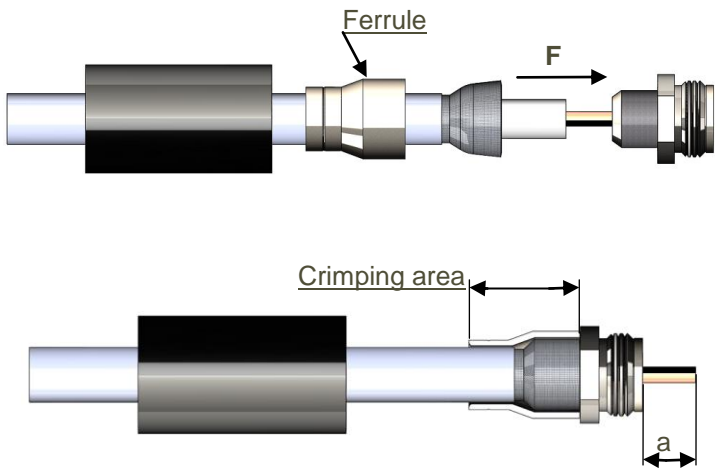
1

Slide onto the cable the heatshrink sleeve and the ferrule
Strip the cable.
Optionally, to facilitate the stripping of the inner cable, the length "a" could be stripped after crimping of the ferrule.



2

Slide the clamp nut onto the crimp sleeve.
Slide sub-assembly under the braid.
Slide ferrule over the braid against clamp nut. (In direction F)
Crimp the ferrule with crimping tool + dies



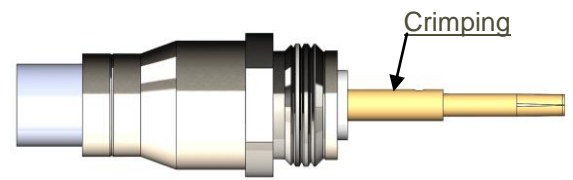
3

The dielectric must be in the same plane as the face of the crimp sleeve. Cut the dielectric flush to crimp sleeve if it exceeds. Clean the dielectric side.
Mount insulator against crimp sleeve.



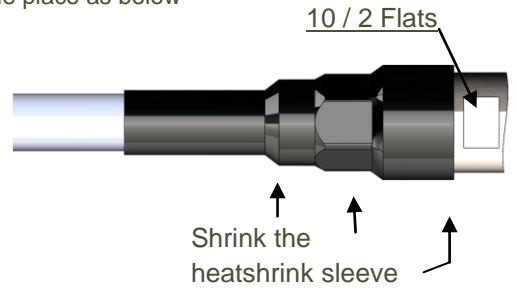
4

Slide the center contact onto the cable inner conductor against insulator.
Crimp the center contact with the crimping tool and the positioner.



5

Screw sub-assembly into the connector body. (recommended coupling see the connector TDS)
Slide sleeve heatshrink over ferrule and put in the place as below



X-ON Electronics

Largest Supplier of Electrical and Electronic Components

Click to view similar products for [RF Connectors / Coaxial Connectors](#) category:

Click to view products by [Radiall](#) manufacturer:

Other Similar products are found below :

[8915-1511-000](#) [89674-0827](#) [6001-7071-019](#) [6002-7051-003](#) [6002-7551-202](#) [6059674-1](#) [619550-1](#) [630059-000](#) [M39030/3-01N](#) [6500-7071-046](#) [6769](#) [CX050L2AQ](#) [7002-1541-010](#) [7002-1542-011](#) [7004-1512-000](#) [7009-1511-004](#) [7010-1511-000](#) [7029-1511-060](#) [7101-1541-010](#) [7101-1571-002](#) [7145-1521-002](#) [7203-1571-003](#) [7209-1511-011](#) [7210-1511-015](#) [7210-1511-019](#) [73137-5015](#) [73216-2241](#) [73404-2300](#) [7405-1521-005](#) [7405-1521-802](#) [8527](#) [8547](#) [FS11V](#) [877931](#) [8808-1511-001](#) [9074-9513-000](#) [9101-9573-002](#) [910A205F](#) [9130-9573-002](#) [PL11SC-026](#) [PL375-33](#) [PL40-5](#) [PL74C-221](#) [PL75MC-217](#) [PL803-7](#) [1200690078](#) [1-201144-1](#) [R107003010W](#) [R110A172100](#) [R112186000](#)