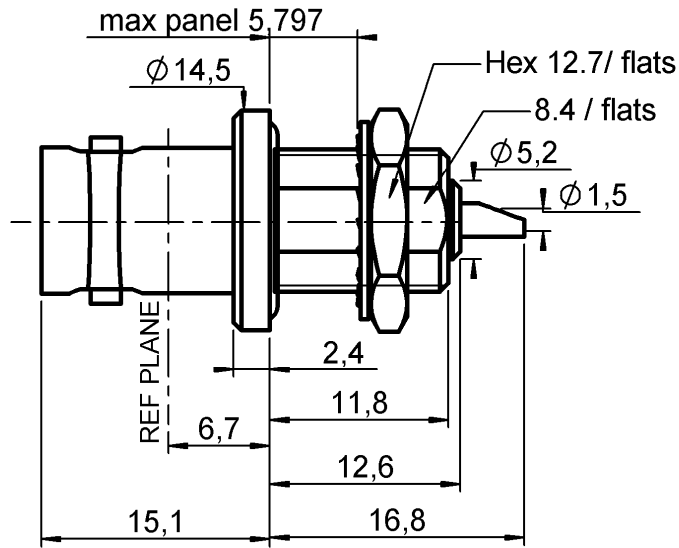


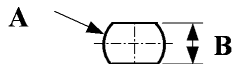
**FEMALE BULKHEAD RECEPTACLE FRONT MOUNT.
COMBINATION SEAL WITH SOLDER POT CONTACT**

R141.603.000

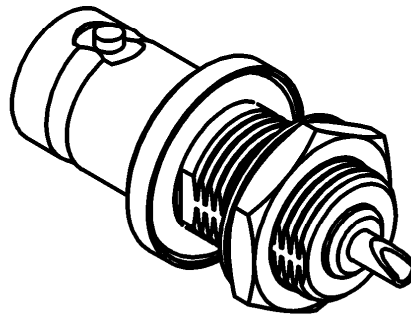
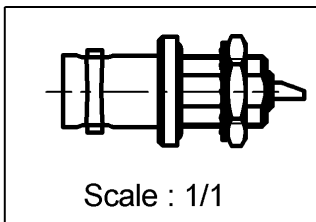
Series : BNC



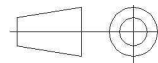
PANEL CUT OUT



mm		
	Maxi	mini
A	9.75	9.65
B	8.65	8.55



All dimensions are in mm.



COMPONENTS	MATERIALS	PLATINGS (µm)
BODY	BRASS	NICKEL 2
CENTER CONTACT	BERYLLIUM COPPER	GOLD 0.5 OVER NICKEL 2
OUTER CONTACT	-	-
INSULATOR	Q200-5	-
GASKET	SILICONE RUBBER	-
OTHERS PARTS	BRASS	NICKEL
-	-	-
-	-	-

Issue : 1104 G

In the effort to improve our products, we reserve the right to make changes judged to be necessary.



**FEMALE BULKHEAD RECEPTACLE FRONT MOUNT.
COMBINATION SEAL WITH SOLDER POT CONTACT**

R141.603.000

Series : BNC

PACKAGING

Standard	Unit	Other
100	'W' option	Contact us

SPECIFICATION

**00368.396-444.957-451.651
48.027-5.560.504-DKS 795170**

ELECTRICAL CHARACTERISTICS

Impedance **50** Ω
 Frequency **0-4** GHz
 VSWR **1.30*** + **0,0000** x F(GHz) Maxi
 Insertion loss **0.05** √F(GHz) dB Maxi
 RF leakage - (**57** - F(GHz)) dB Maxi
 Voltage rating **500** Veff Maxi
 Dielectric withstanding voltage **1500** Veff mini
 Insulation resistance **5000** MΩ mini

ENVIRONMENTAL

Operating temperature **-65/+165** ° C
 Hermetic seal **NA** Atm.cm3/s
 Panel leakage **0.35** Mpa

OTHERS CHARACTERISTICS

Assembly instruction **NA**

Others :
 * Coaxial Transmission Line Only

MECHANICAL CHARACTERISTICS

Center contact retention
 Axial force – Mating end **18** N mini
 Axial force – Opposite end **18** N mini
 Torque **2.8** N.cm mini

Recommended torque
 Mating **NA** N.cm
 Panel nut **250** N.cm

Mating life **500** Cycles mini
 Weight **10,8030** g

Issue : 1104 G

In the effort to improve our products, we reserve the right to make changes judged to be necessary.



X-ON Electronics

Largest Supplier of Electrical and Electronic Components

Click to view similar products for [RF Connectors / Coaxial Connectors](#) category:

Click to view products by [Radiall](#) manufacturer:

Other Similar products are found below :

[8915-1511-000](#) [89674-0827](#) [6001-7071-019](#) [6002-7051-003](#) [6002-7551-202](#) [6059674-1](#) [619550-1](#) [630059-000](#) [M39030/3-01N](#) [6500-7071-046](#) [6769](#) [CX050L2AQ](#) [7002-1541-010](#) [7002-1542-011](#) [7004-1512-000](#) [7009-1511-004](#) [7010-1511-000](#) [7029-1511-060](#) [7101-1541-010](#) [7101-1571-002](#) [7145-1521-002](#) [7203-1571-003](#) [7209-1511-011](#) [7210-1511-015](#) [7210-1511-019](#) [73137-5015](#) [73216-2241](#) [73404-2300](#) [7405-1521-005](#) [7405-1521-802](#) [8527](#) [8547](#) [FS11V](#) [877931](#) [8808-1511-001](#) [9049-9513-000](#) [9074-9513-000](#) [9101-9573-002](#) [910A205F](#) [9130-9573-002](#) [PL11SC-026](#) [PL375-33](#) [PL40-5](#) [PL74C-221](#) [PL75MC-217](#) [PL803-7](#) [980-8666-005](#) [1200690078](#) [1-201144-1](#) [R107003010W](#)